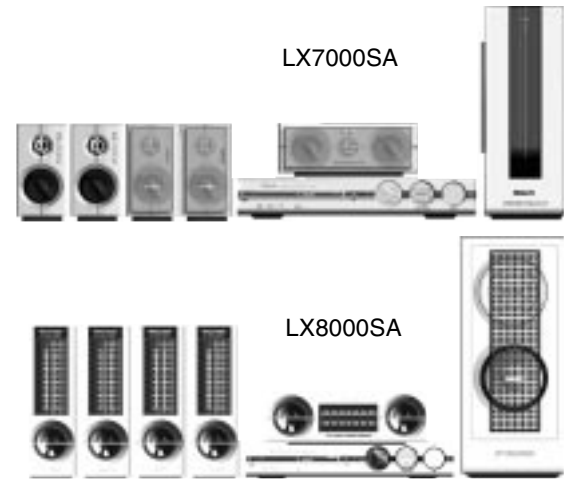


Service
Service
Service

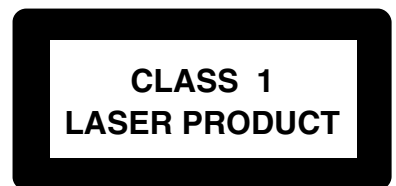


For repair information on the SD4.00SA DVD Module, refer to Service Manual "DVD Module SD-4.00SA_CH - 3122 785 12480".

Service Manual

TABLE OF CONTENTS

	Page
Location of pc boards & Version variations	1-2
Technical Specifications	1-3
Measurement setup	1-4
Service Aids, Safety Instruction, etc.	1-5
Disassembly Instructions & Service positions	2
Service Test Programs	3
Set Block diagram	4-1
Set Wiring diagram	5-1
Key & Control Boards	6
ECO6 Tuner Board: System Non-Cenelec	7A
System Cenelec	7B
Supply & Main Boards	8
Power Amplifier Board	9
AVC Board	10
P-Scan Board	11
Set Mechanical Exploded view & parts list	12



© Copyright 2002 Philips Consumer Electronics B.V. Eindhoven, The Netherlands
All rights reserved. No part of this publication may be reproduced, stored in a retrieval system or transmitted, in any form or by any means, electronic, mechanical, photocopying, or otherwise without the prior permission of Philips.

Published by BB 0233 Service Audio Printed in The Netherlands Subject to modification



3139 785 30078

Version 1.0



PHILIPS

SPECIFICATIONS**GENERAL:**

Mains voltage : 110-127V/220-240V Switchable for /21
 120V for /37
 220-240V for /22

Mains frequency : 50/60Hz

Power consumption : < 0.5W at ECO Power Standby
 : <20W at Standby (DEMO mode off)
 : 160W at Active

Clock accuracy : < 4 seconds per day

Dimension centre unit : 390 x 73 x 360mm

TUNER:**FM**

Tuning range : 87.5-108MHz

Grid : 50kHz
 100kHz for /37

IF frequency : 10.7MHz \pm 25kHz

Aerial input : 75 Ω coaxial

Sensitivity at 26dB S/N : < 7 μ V

Selectivity at 600kHz bandwidth : > 25dB

Image rejection : > 25dB

Distortion at RF=1mV, dev. 75kHz : < 3%

-3dB Limiting point : < 8 μ V

Crosstalk at RF=1mV, dev. 40kHz : > 18dB

MW

Tuning range : 531-1602kHz
 530-1700kHz for /21/37

Grid : 9kHz
 10kHz for /21/37

IF frequency : 450kHz \pm 1kHz

Aerial input : Frame aerial

Sensitivity at 26dB S/N : < 4.0mV/M

Selectivity at 18kHz bandwidth : > 18dB

IF rejection : > 45dB

Image rejection : > 28dB

Distortion at RF=50mV, m=80% : < 5%

AMPLIFIER:

Output power (6 Ω , 1kHz, 10% THD)
 L & R, Center, Surround : 5 x 30W RMS for LX7000SA
 L & R, Center, Surround : 5 x 35W RMS for LX8000SA

Output power (6 Ω , 125Hz-12.5kHz, 10% THD)
 L & R : 2 x 25W FTC for /37

Amplifier Frequency Response (-3dB): 250Hz - 32kHz

SURROUND : Multichannel, Stereo, 3D Sound

SOUND : JAZZ, ROCK, DIGITAL, CLASSIC
 [DRAMA, ACTION, SCI-FI, CONCERT]

[.....] Sound effect available when playing a DVD/VCD disc.

AUDIO INPUTS/OUTPUTS:**Input sensitivity**

Aux in (at 1kHz) : 880mV \pm 3dB
 TV in (at 1kHz) : 350mV \pm 3dB

Output sensitivity

Line out (Left/Right) : 0.6V \pm 2dB at 100k Ω
 Center out (Vol. Max.) : 500mV \pm 2dB at 47k Ω
 Subwoofer out (Vol. Max.): 0.76V \pm 2dB at 47k Ω
 Headphone output at 32 Ω : 660mV \pm 2dB (Vol. Max.)

VIDEO OUTPUTS:

All output terminals to be terminated with 75 ohms.

CVBS Out

CVBS Level : 1Vpp \pm 0.1V
 Luminance S/N : \geq 45dB (unweighted)

S-Video Out

Y Level : 1Vpp \pm 0.1V
 Y S/N : \geq 48dB (unweighted)
 C Level (burst) : 286mVpp +1/-4dB

RGB / YUV Out

Amplitude : 0.7Vpp \pm 0.1V
 S/N : \geq 50dB (unweighted)

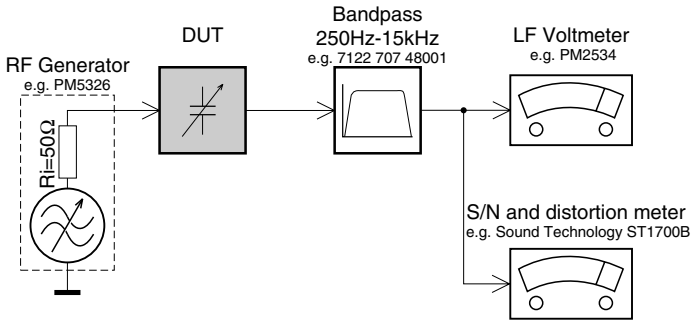
DIGITAL INPUT/OUTPUT:

To be terminated with 75 ohms.

Digital in : IEC 60958
 Digital out : SPDIF Coaxial

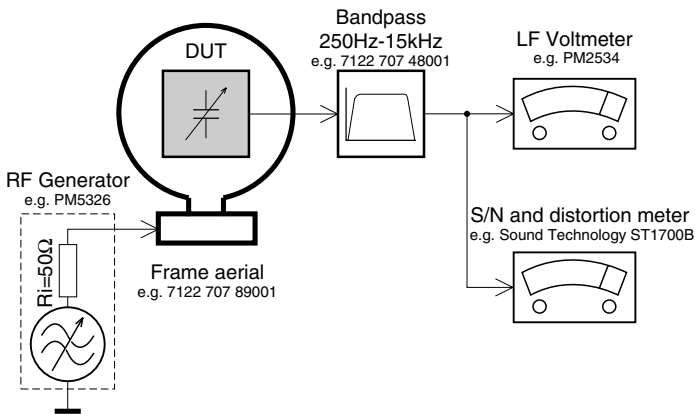
MEASUREMENT SETUP

Tuner FM



Use a bandpass filter to eliminate hum (50Hz, 100Hz) and disturbance from the pilotone (19kHz, 38kHz).

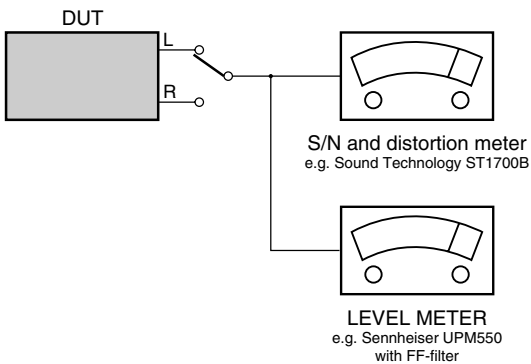
Tuner AM (MW,LW)



To avoid atmospheric interference all AM-measurements have to be carried out in a Faraday's cage.
Use a bandpass filter (or at least a high pass filter with 250Hz) to eliminate hum (50Hz, 100Hz).

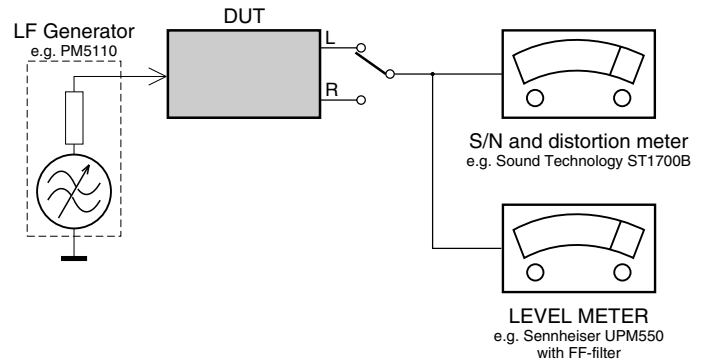
CD

Use Audio Signal Disc SBC429 4822 397 30184
(replaces test disc 3)



Recorder

Use Universal Test Cassette **CrO2** SBC419 4822 397 30069
or Universal Test Cassette **Fe** SBC420 4822 397 30071



SERVICE AIDS

Service Tools:

Universal Torx driver holder	4822 395 91019
Torx bit T10 150mm	4822 395 50456
Torx driver set T6 - T20	4822 395 50145
Torx driver T10 extended	4822 395 50423

Cassette:

SBC419 Test cassette CrO2	4822 397 30069
SBC420 Test cassette Fe	4822 397 30071
MTT150 Dolby level 200nWb/M	4822 397 30271

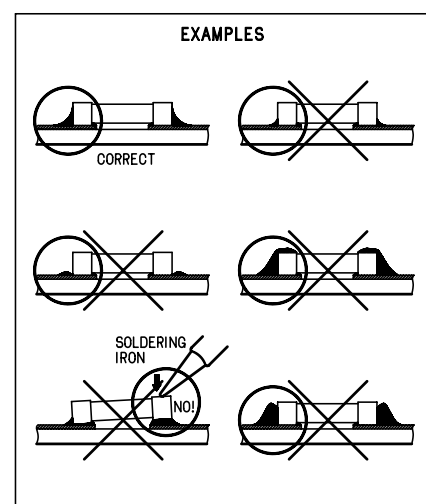
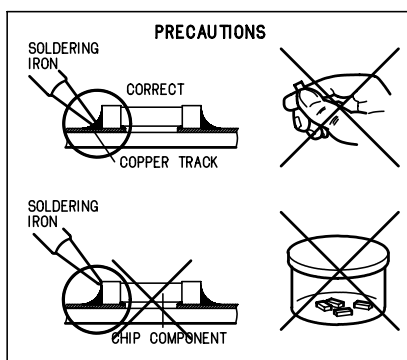
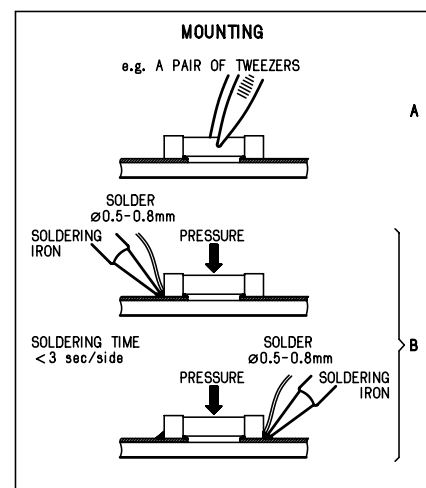
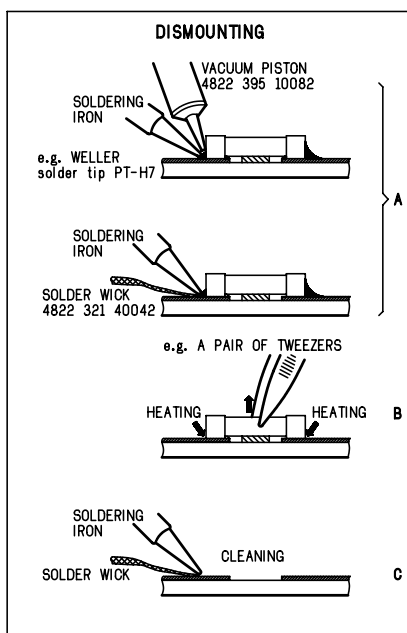
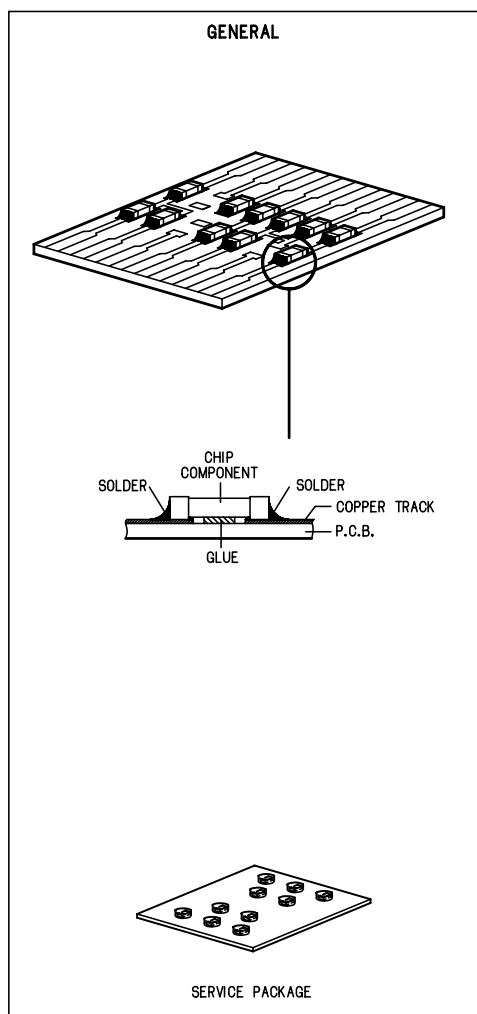
Compact Disc:

SBC426/426A Test disc 5 + 5A	4822 397 30096
SBC442 Audio Burn-in Test disc 1kHz	4822 397 30155
SBC429 Audio Signals disc	4822 397 30184
Dolby Pro-logic Test Disc	4822 395 10216

ESD Equipment:

Anti-static table mat - large 1200x650x1.25mm ...	4822 466 10953
Anti-static table mat - small 600x650x1.25mm	4822 466 10958
Anti-static wristband	4822 395 10223
Connector box (1MΩ)	4822 320 11307
Extension cable (to connect wristband to conn. box)	4822 320 11305
Connecting cable (to connect table mat to conn. box)	4822 320 11306
Earth cable (to connect product to mat or box)	4822 320 11308
Complete kit ESD3 (combining all above products)	4822 320 10671
Wristband tester	4822 344 13999

HANDLING CHIP COMPONENTS



(GB) WARNING

All ICs and many other semi-conductors are susceptible to electrostatic discharges (ESD). Careless handling during repair can reduce life drastically.

When repairing, make sure that you are connected with the same potential as the mass of the set via a wrist wrap with resistance. Keep components and tools also at this potential.

(F) ATTENTION

Tous les IC et beaucoup d'autres semi-conducteurs sont sensibles aux décharges statiques (ESD).

Leur longévité pourrait être considérablement écourtée par le fait qu'aucune précaution n'est prise à leur manipulation.

Lors de réparations, s'assurer de bien être relié au même potentiel que la masse de l'appareil et enfiler le bracelet serti d'une résistance de sécurité.

Veiller à ce que les composants ainsi que les outils que l'on utilise soient également à ce potentiel.

(GB)

Safety regulations require that the set be restored to its original condition and that parts which are identical with those specified, be used.

(NL)

Veiligheidsbepalingen vereisen, dat het apparaat bij reparatie in zijn oorspronkelijke toestand wordt teruggebracht en dat onderdelen, identiek aan de gespecificeerde, worden toegepast.

(F)

Les normes de sécurité exigent que l'appareil soit remis à l'état d'origine et que soient utilisées les pièces de rechange identiques à celles spécifiées.

(D)

Bei jeder Reparatur sind die geltenden Sicherheitsvorschriften zu beachten. Der Originalzustand des Geräts darf nicht verändert werden; für Reparaturen sind Original-Ersatzteile zu verwenden.

(I)

Le norme di sicurezza esigono che l'apparecchio venga rimesso nelle condizioni originali e che siano utilizzati i pezzi di ricambio identici a quelli specificati.

"After servicing and before returning set to customer perform a leakage current measurement test from all exposed metal parts to earth ground to assure no shock hazard exist. The leakage current must not exceed 0.5mA."

ESD**(D) WARNUNG**

Alle ICs und viele andere Halbleiter sind empfindlich gegenüber elektrostatistischen Entladungen (ESD).
Unvorsichtige Behandlung im Reparaturfall kann die Lebensdauer drastisch reduzieren.
Veranlassen Sie, dass Sie im Reparaturfall über ein Pulsarmband mit Widerstand verbunden sind mit dem gleichen Potential wie die Masse des Gerätes.
Bauteile und Hilfsmittel auch auf dieses gleiche Potential halten.

(NL) WAARSCHUWING

Alle IC's en vele andere halfgeleiders zijn gevoelig voor electrostatische ontladingen (ESD).
Onzorgvuldig behandelen tijdens reparatie kan de levensduur drastisch doen verminderen.
Zorg ervoor dat u tijdens reparatie via een polsband met weerstand verbonden bent met hetzelfde potentiaal als de massa van het apparaat.
Houd componenten en hulpmiddelen ook op hetzelfde potentiaal.

(I) AVVERTIMENTO

Tutti IC e parecchi semi-conduttori sono sensibili alle scariche statiche (ESD).
La loro longevità potrebbe essere fortemente ridotta in caso di non osservazione della più grande cauzione alla loro manipolazione.
Durante le riparazioni occorre quindi essere collegato allo stesso potenziale che quello della massa dell'apparecchio tramite un braccialetto a resistenza.
Assicurarsi che i componenti e anche gli utensili con quali si lavora siano anche a questo potenziale.

"Pour votre sécurité, ces documents doivent être utilisés par des spécialistes agréés, seuls habilités à réparer votre appareil en panne".

**(GB) Warning !**

Invisible laser radiation when open.
Avoid direct exposure to beam.

(S) Varning !

Osynlig laserstrålning när apparaten är öppnad och spärren är urkopplad. Betrakta ej strålen.

(SF) Varoitus !

Avatussa laitteessa ja suojalukituksen ohitettaessa olet alltiina näkymättömälle laserisäteilylle. Älä katso säteeseen!

(DK) Advarse !

Usynlig laserstråling ved åbning når sikkerhedsafbrydere er ude af funktion. Undgå udsættelse for stråling.

DISMANTLING INSTRUCTIONS

Dismantling of the Tuner Board and Main Board and AVC Board

- 1) Loosen 6 screws A to remove the Cover Top (pos 260).
 - 2 screws each on the left & right side (see Figure 1)
 - 2 screws on the rear (see Figure 2)
 - See Service position A
- 2) Remove 3 screws B and uncatch 2 catches B1 (see Figure 2) to loosen the Tuner Board (pos 1101).



Figure 1

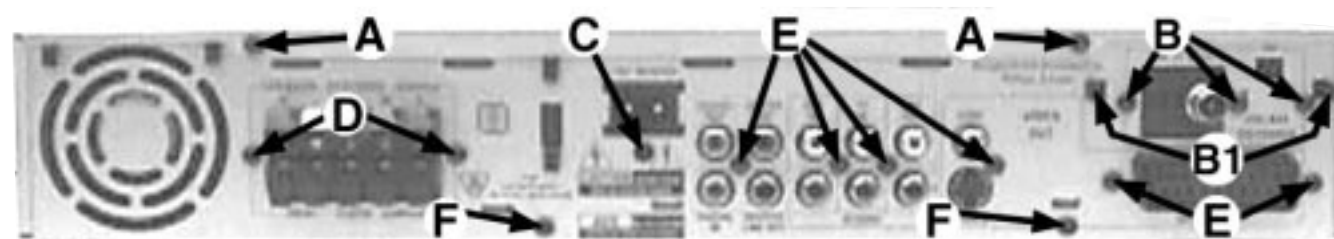


Figure 2

Dismantling of the Tuner Board and Main Board and AVC Board

- 3) Remove the Bracket PCB Mains (pos 259) by pressing the catch C1 inward and slide it up in the direction as shown in Figure 3.
- 4) Remove 1 screw C (see Figure 2) and uncatch 2 catches C2 (see Figure 4) to loosen the Main Board (pos 1104-B).
 - See Service position B

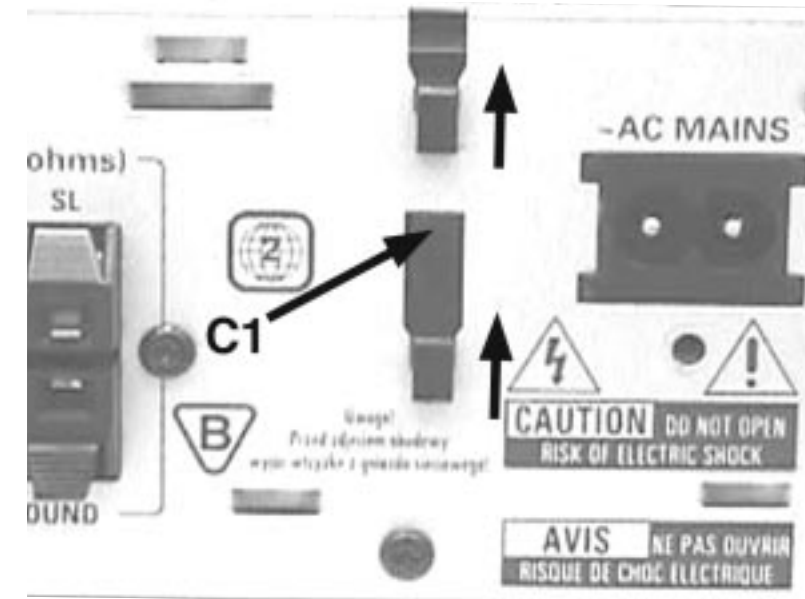


Figure 3

- 5) Remove 2 screws G (see Figure 4) to loosen the Bracket AV PCB (pos 255).
- 6) Remove 6 screws E and 2 screws F (see Figure 2) to loosen the Plate Rear (pos 251) and AVC Board (pos 1102).
 - See Service position D

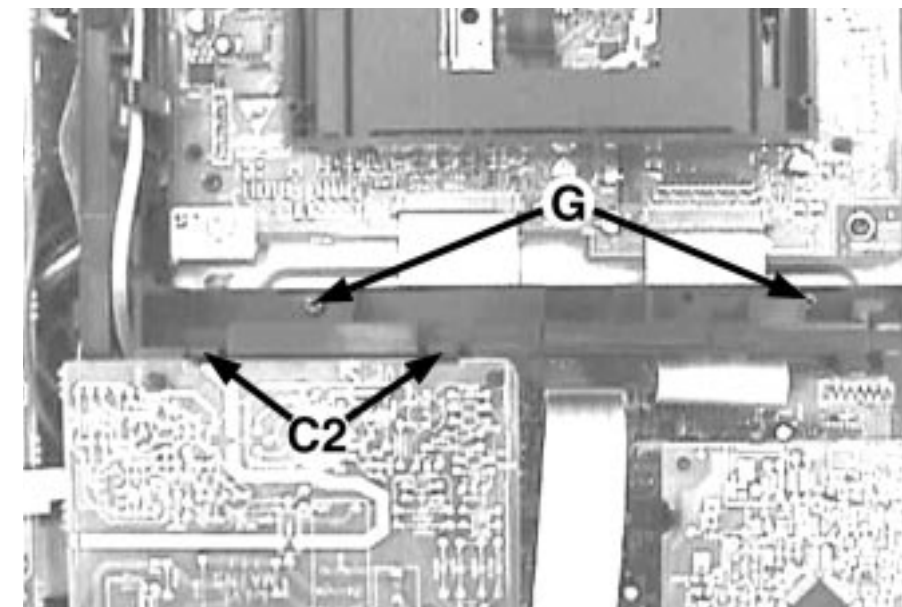


Figure 4

DISMANTLING INSTRUCTIONS

Dismantling of the Supply Board and Power Amplifier Board

- 1) Remove 7 screws D to loosen the Supply Board (pos 1104-A) and Power Amplifier Board (pos 1103).
 - 2 screws on the Plate Rear (see Figure 2)
 - 5 screws on the Plate Bottom (see Figure 5, 6, 7 & 8)
 - See Service position C

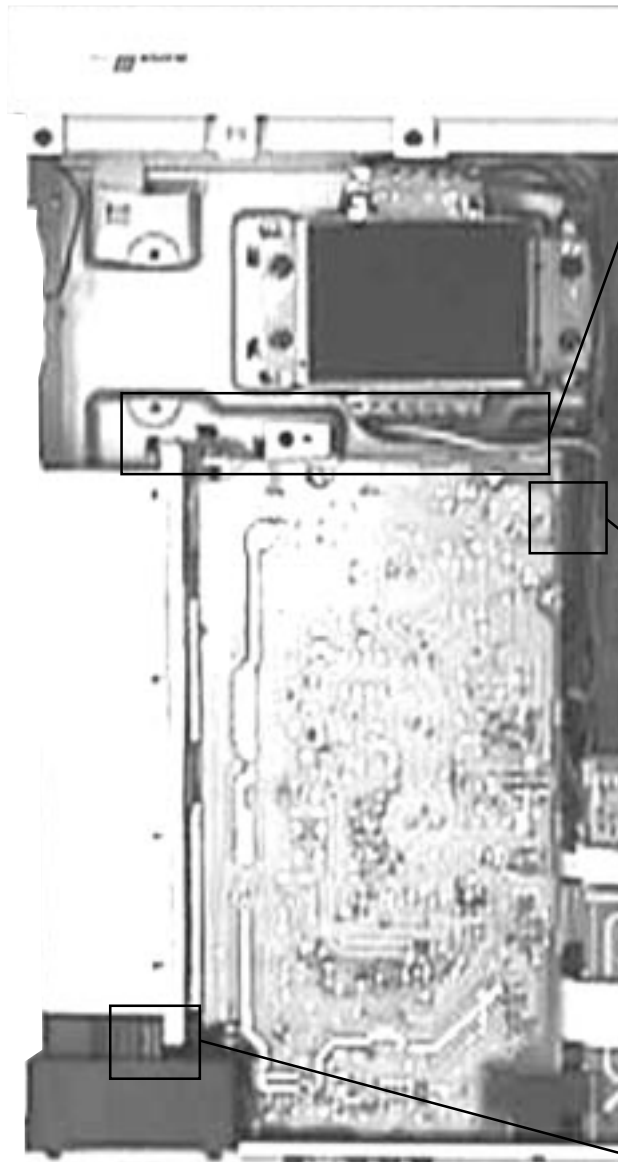


Figure 5

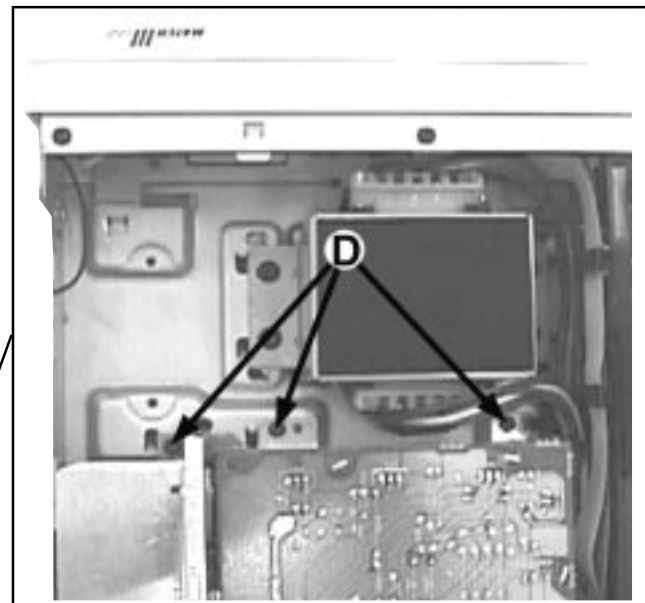


Figure 6

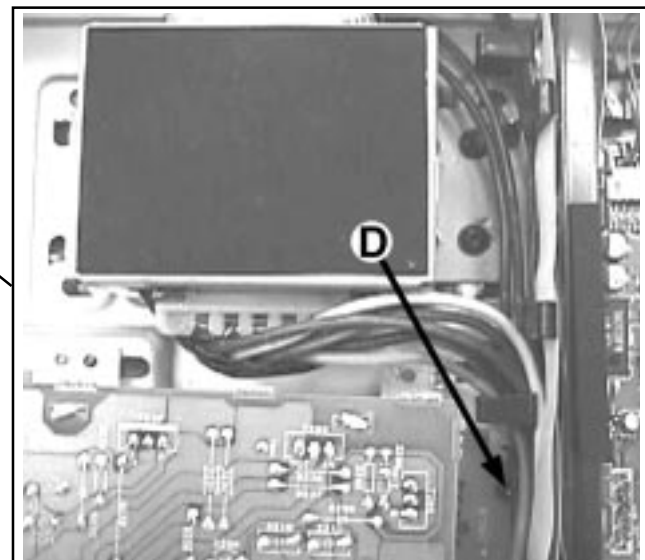


Figure 7

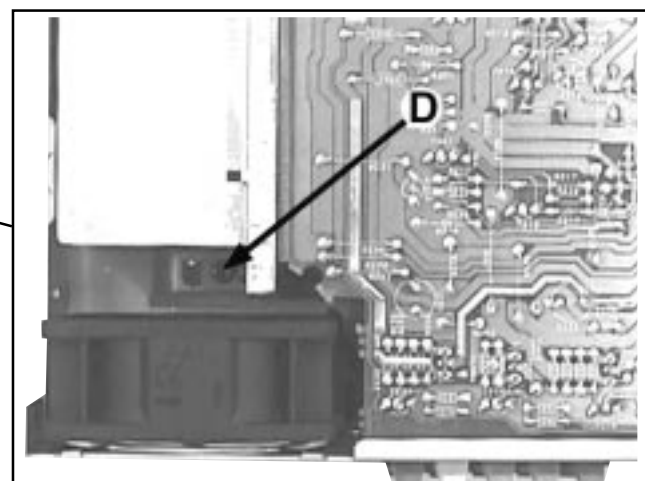


Figure 8

Dismantling of the DVD Module

- 1) Use a Flat Head screw driver to give a push in the direction as shown in Figure 9 to unlock the DVD Tray before sliding it out.



Figure 9

- 2) Slide out the DVD Tray and remove the Cover Tray DVD (pos 105) as shown in Figure 10.

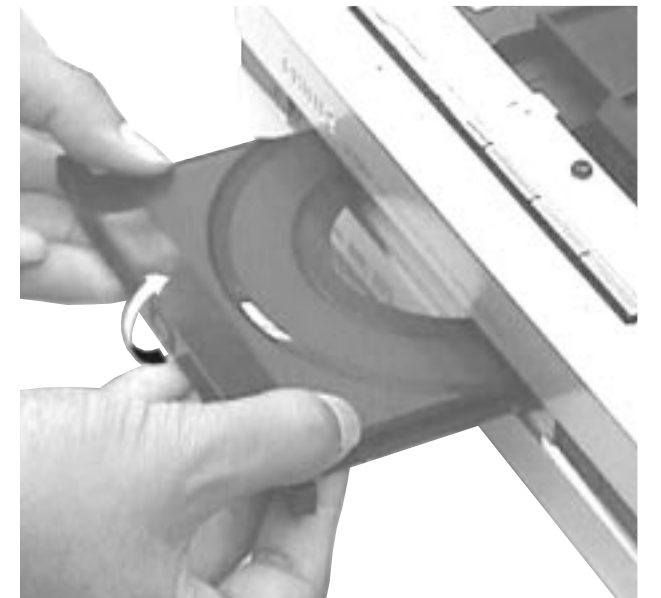


Figure 10

- 3) Slide out the DVD Tray fully and remove 6 screws J (see Figure 11) to loosen the DVD Module (pos 1109).
 - See Service position E

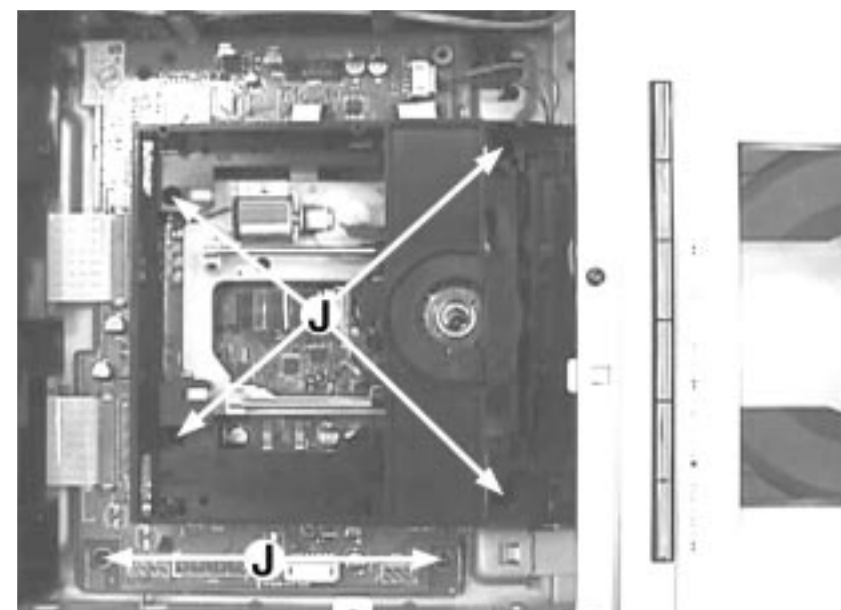


Figure 11

DISMANTLING INSTRUCTIONS

Dismantling of the Front Panel Assembly

- 1) Remove 7 screws H (see Figure 12 and Figure 13) and uncatch 2 catches H1 (see Figure 13) to loosen the Front Panel Assembly from the set.
 - 4 screws on top of the Front Panel Assembly
 - 3 screws and 2 catches H1 at the bottom of the Front Panel Assembly
 - See Service position F
- 2) Make sure to unplug the cable (if obstructed) before separate the Front Panel Assembly from the set (see Figure 14).



Figure 12

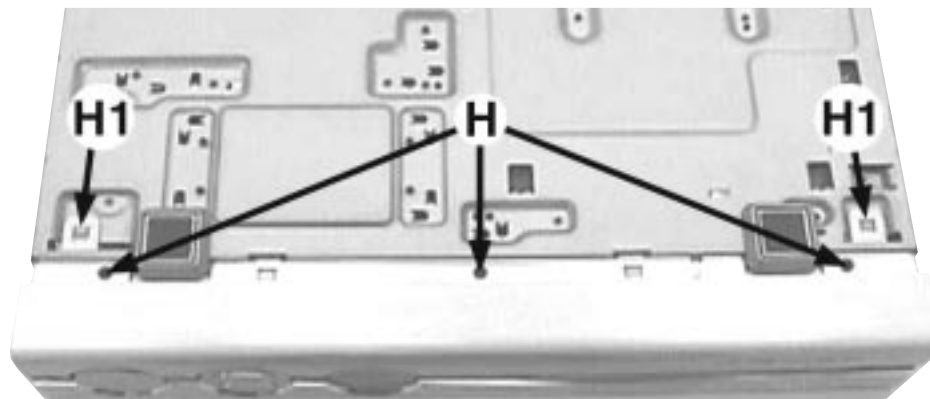


Figure 13

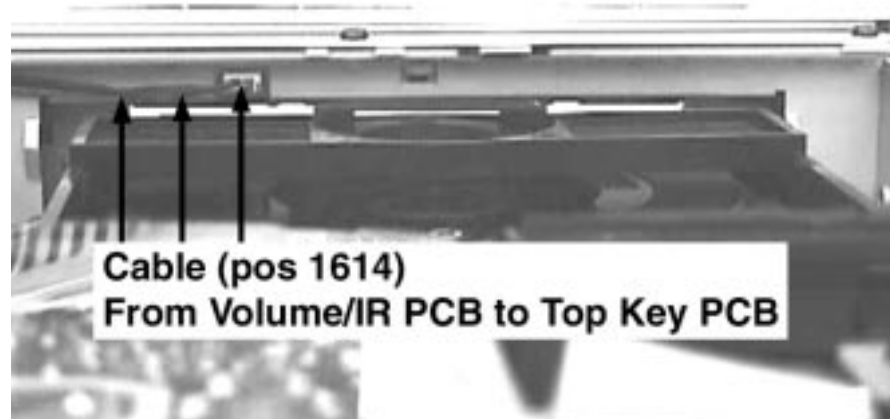


Figure 14

Dismantling of the Key & Control Boards

- 1) Remove 1 screw K (see Figure 15) to loosen the Headphone Board (pos 1105-D).
- 2) Remove 6 screws L (see Figure 15) to loosen the Volume & IR Board (pos 1105-C).
- 3) Remove 2 screws M (see Figure 16) to loosen the Power On/Off Board (pos 1105-A).
- 4) Remove 2 screws N (see Figure 16) to loosen the Bracket LED SACD (pos 109) and SACD LED Board (pos 1105-B).
- 5) Remove 3 screws P (for LX8000SA 2 screws only) and uncatch 2 catches P1 (see Figure 16) to loosen the Top Key Board (pos 1105-E).

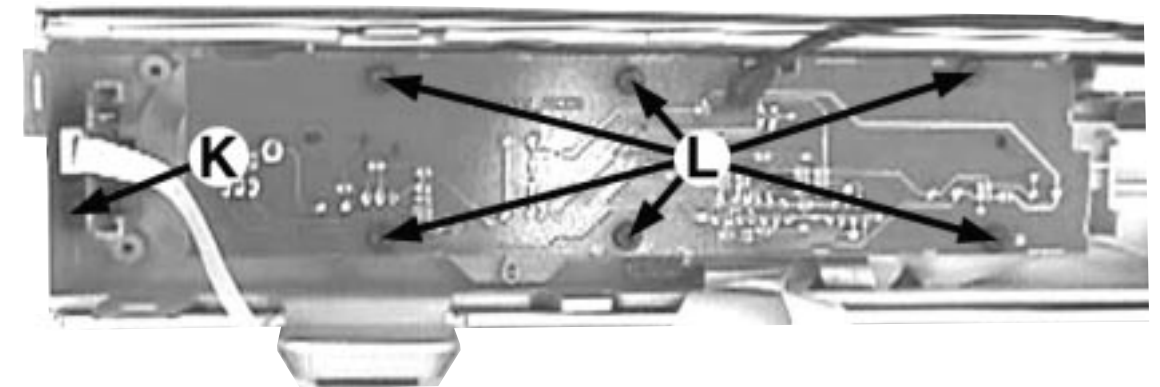


Figure 15

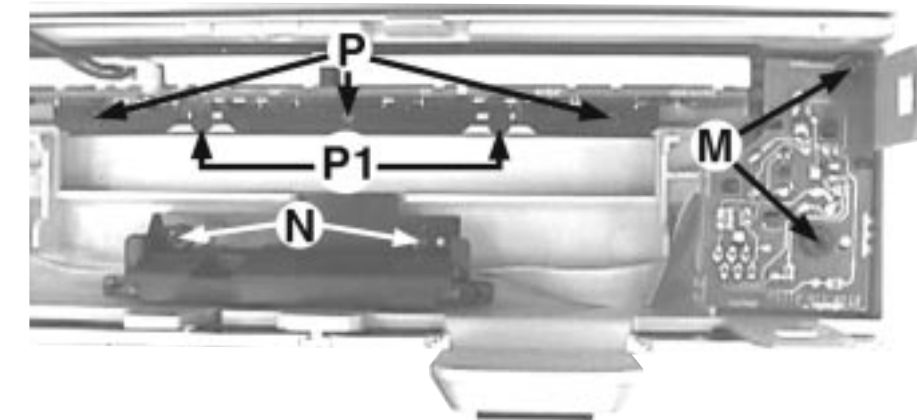


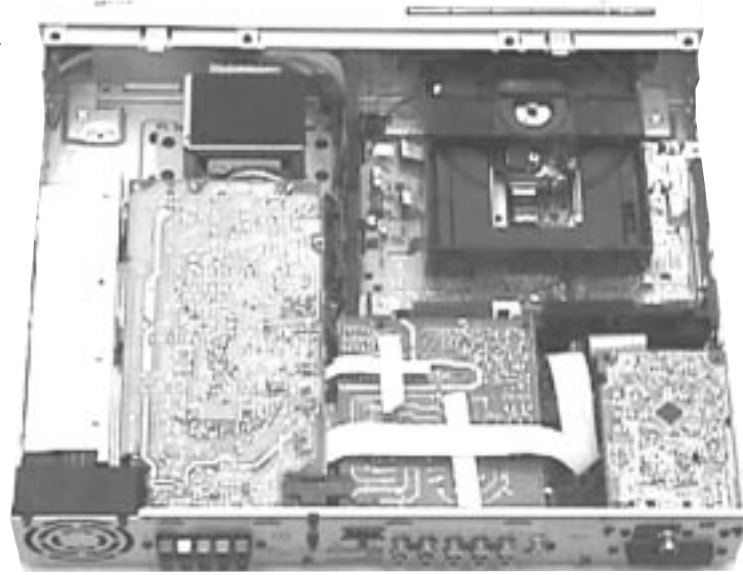
Figure 16

Repair Hints

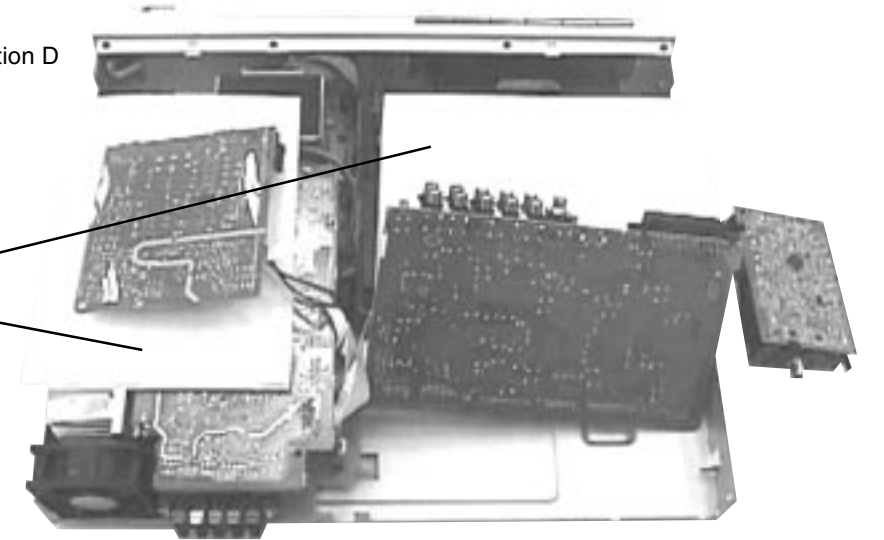
- 1) During repair it is possible to disconnect the ECO6 Tuner Board completely unless the fault is suspected to be in that area. This will not affect the performance of the rest of the set.
- 2) The flex cables are very fragile, care should be taken not to damage them during repair. After repair, be very sure that the flex cables are inserted properly into the flex sockets before encasing, otherwise faults may occur.

DISMANTLING INSTRUCTIONS

Service position A

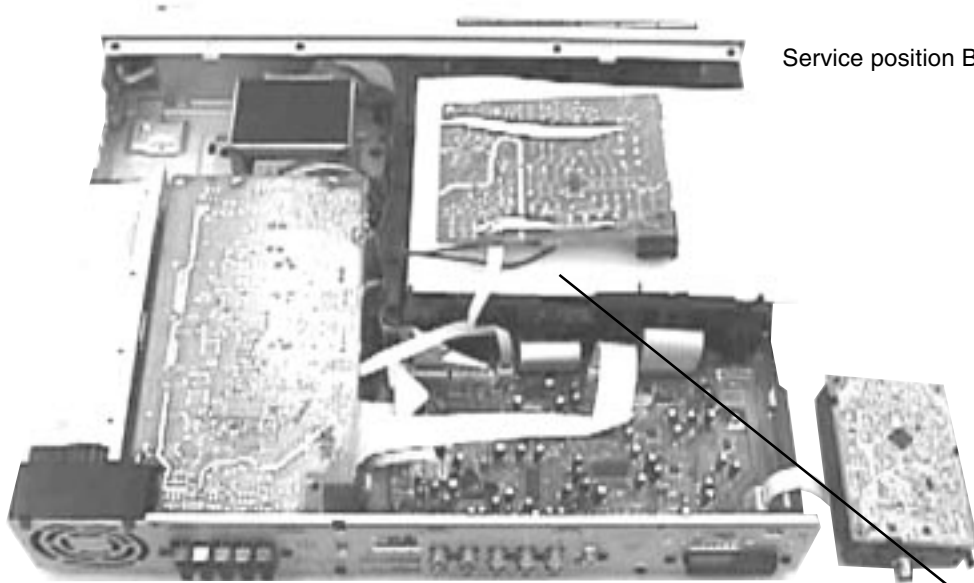


Service position D

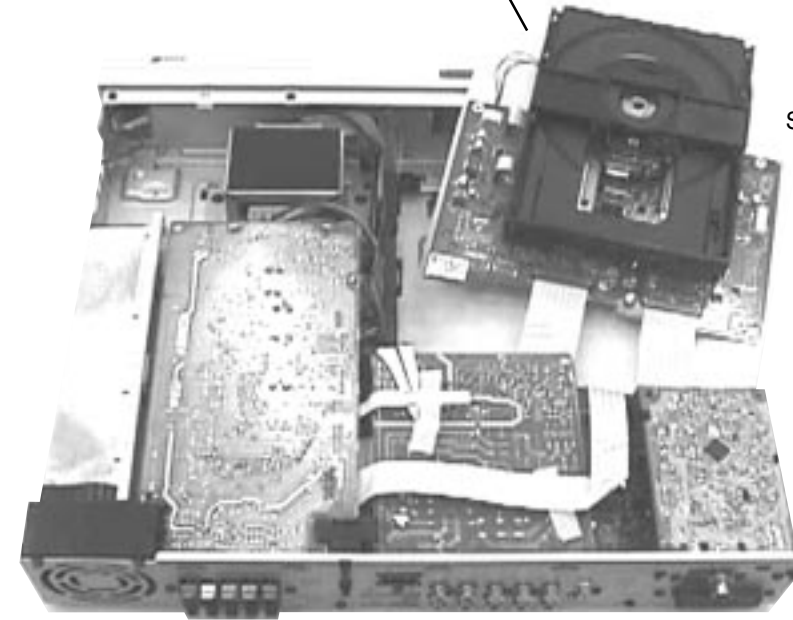


Use a insulation sheet to prevent any damaged or short-circuit of the boards.

Service position B

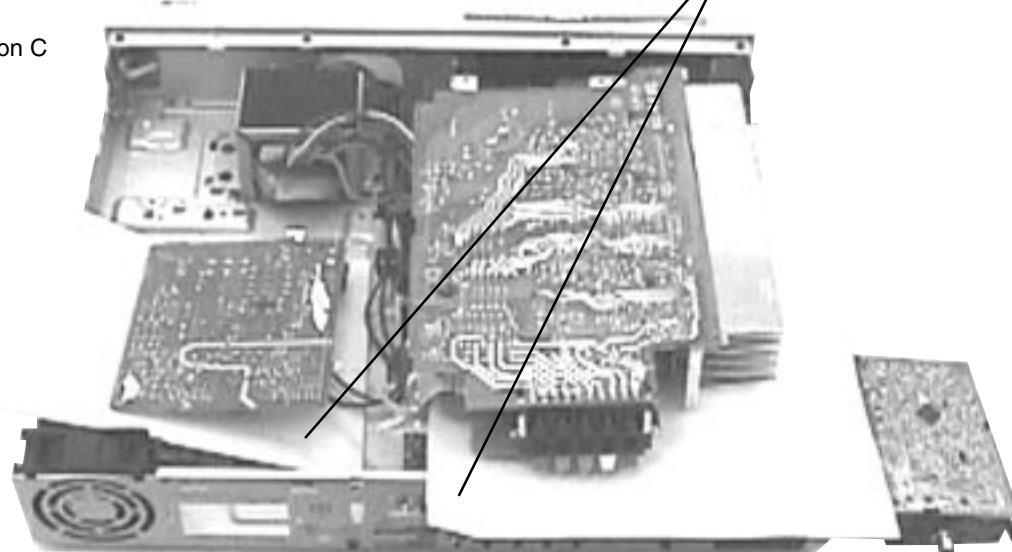


Service position E

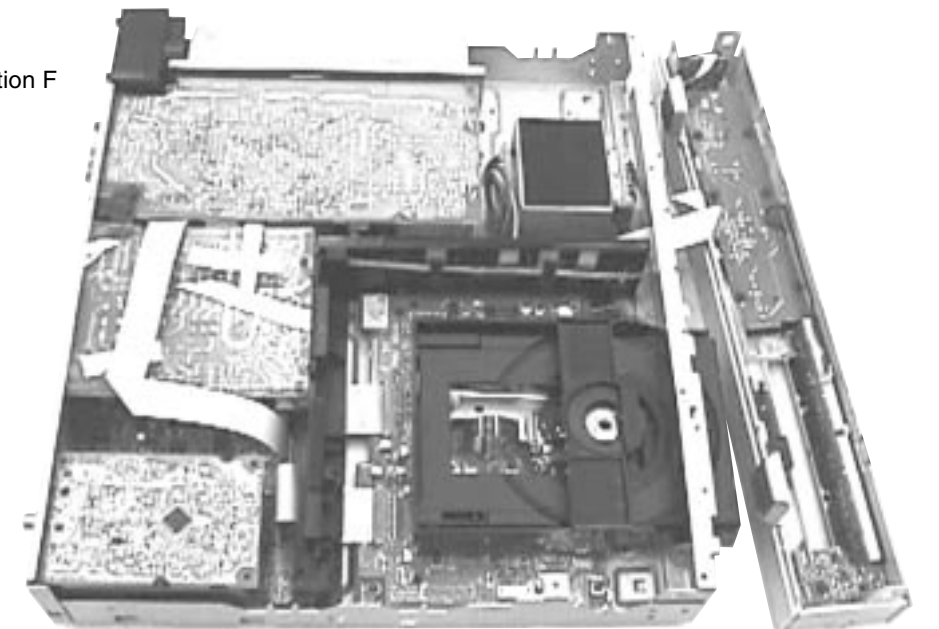


Use a insulation sheet to prevent any damaged or short-circuit of the boards.

Service position C



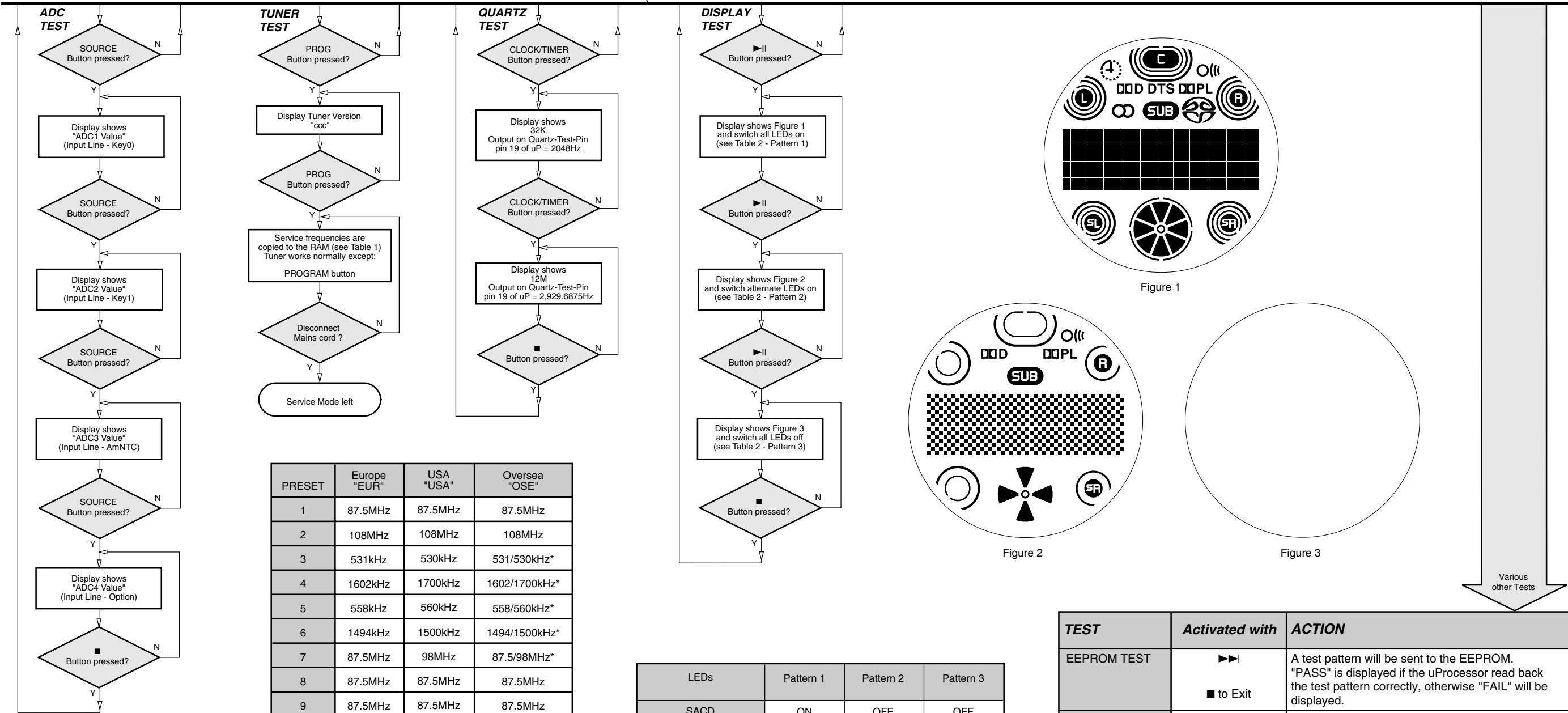
Service position F



SERVICE TEST PROGRAM

To start service test program hold **▶▶** & **SOURCE** depressed while plugging in the mains cord

Display shows the ROM version "S-Vyy" (Main menu)
 S refers to Service Mode
 V refers to Version
 yy refers to Software version number of the uProcessor (counting up from 01 to 99)



PRESET	Europe "EUR"	USA "USA"	Oversea "OSE"
1	87.5MHz	87.5MHz	87.5MHz
2	108MHz	108MHz	108MHz
3	531kHz	530kHz	531/530kHz*
4	1602kHz	1700kHz	1602/1700kHz*
5	558kHz	560kHz	558/560kHz*
6	1494kHz	1500kHz	1494/1500kHz*
7	87.5MHz	98MHz	87.5/98MHz*
8	87.5MHz	87.5MHz	87.5MHz
9	87.5MHz	87.5MHz	87.5MHz
10	87.5MHz	87.5MHz	87.5MHz
11	98MHz	87.5MHz	98/87.5MHz*

Table 1

LEDs	Pattern 1	Pattern 2	Pattern 3
SACD	ON	OFF	OFF
STANDBY / ECO POWER	GREEN	RED	OFF
LCD BACKLIGHT	ON	ON	ON

Table 2

Note: * Depending on the selected grid frequency (9 or 10kHz). By holding the "SOURCE" and "PROG" buttons depressed while switching on the Mains supply, the tuning grid frequency is toggled between 9kHz and 10kHz for the Oversea (/21) version.

ADC Test is used for checking the ADC inputs to the microprocessor.

The display shows an ADC value between 0 and 255 for an input signal between 0 and 5V.

Note : If the ADC value on the NTC line is below 69, the set will go to standby mode because the temperature is too high.

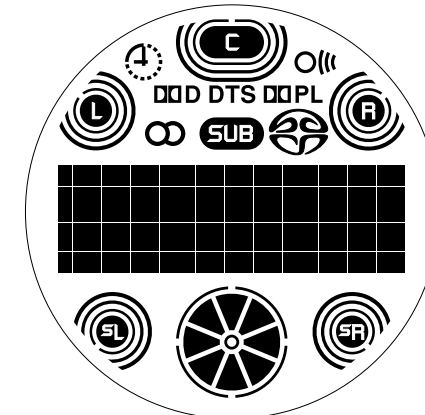


Figure 1

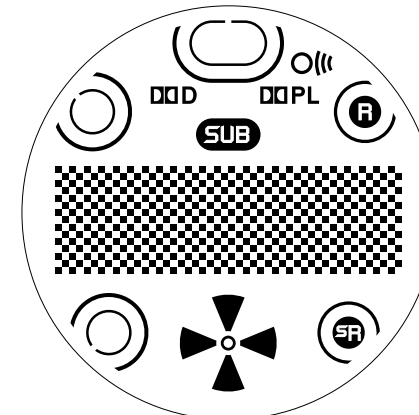


Figure 2

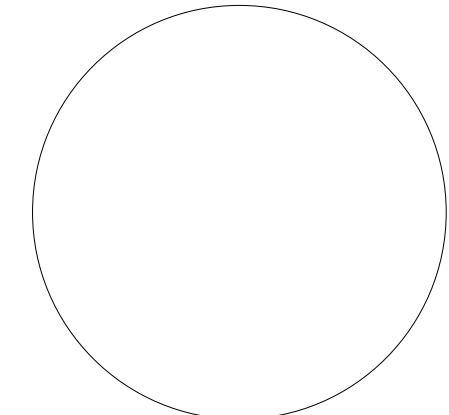
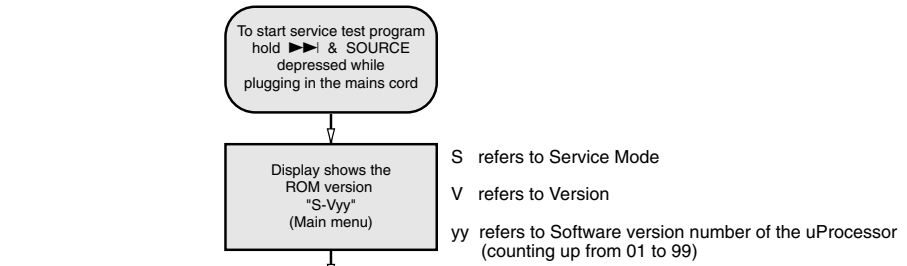


Figure 3

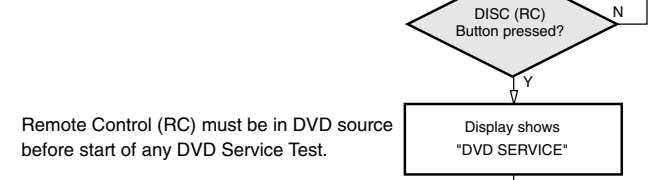
Various other Tests

TEST	Activated with	ACTION
EEPROM TEST	▶▶ ■ to Exit	A test pattern will be sent to the EEPROM. "PASS" is displayed if the uProcessor read back the test pattern correctly, otherwise "FAIL" will be displayed.
EEPROM FORMAT TEST	◀◀	Load default data. Display shows "NEW" for 1 second. Caution! All presets from the customer will be lost!!
AUTO STANDBY TOGGLE	CENTER - (RC)	Pressing this button will toggle between the status "AUTO STANDBY ON" and "AUTO STANDBY OFF". The status will scroll once across the Display.
ROTARY ENCODER TEST	Rotary Volume Knob	Display shows value for 2 seconds. Values increases or decreases in steps of 1 until 0 (Volume Min.) or 40 (Volume Max.) is reached.
LEAVE SERVICE TEST PROGRAM	Disconnect mains cord	

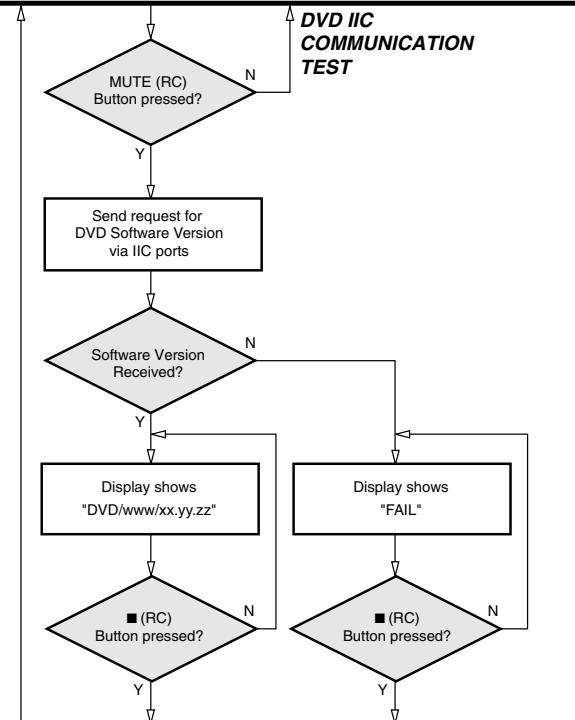
SERVICE TEST PROGRAM



DVD SERVICE TEST



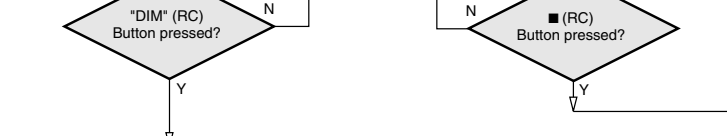
DVD IIC COMMUNICATION TEST



DVD IIC Communication Test is used to test the IIC communication port between the DVD module and the microprocessor of the set.

www : refer to BEA Software version.
BEA = Back End Application (DVD Application Software).
xx.yy.zz : refer to Basic Engine Software version.
Basic Engine = part of the DVD module controlling the servo.

DVD VERSION MATRIX INFO



Choose step by pressing
<Left> (RC)
<Right> (RC)

STEP	DISPLAY	INFORMATION
1	SLASH '###'	Slash version number
2	REGION '#'	Region code setting (Number 1 - 6)
3	MULANG 'US/AP' or MULANG 'US/EU'	Menu language table : US/AP (USA-Asian Pacific language table) US/EU (USA-Europe language table)
4	ASLANG '#'	Audio/Subtitle language table (Number 1 - 4)
5	MULTI-CH 'YES' or MULTI-CH 'NO'	Available of multichannel decoding
6	SMARTPIC 'YES' or SMARTPIC 'NO'	Available of smart picture
		Press <Play> (RC) to exit

DVD Version Matrix Info is used to read the version matrix information that are stored/defined in the DVD module software.

ERROR CODE (Nucleus)

ERROR CODE	NUCLEUS NUMBER	ERROR DESCRIPTION
0601	6	Calculated Checksum of FLASH is not correct
1101	11	I2C bus busy before start
1102	-	NVRAM access time-out
1103	-	No NVRAM acknowledge
1104	-	NVRAM reply time-out
1201	12	I2C bus busy
1202	-	Error sending I2C command to Slave
1203	-	Slave controller not responding
1204	-	Slave response is not correct
1301	13	Parity error receiving data from Basic Engine
1302	-	Parity error sending data to Basic Engine
1303	-	No communication with Basic Engine
1304	-	Communication time-out with Basic Engine
1601	16	The SDRAM is faulty
5401	54	I2C bus busy
5402	-	Error sending I2C command to Scart Switch IC
5403	-	Scart switch IC not responding
5403	-	Scart switch IC response is not correct

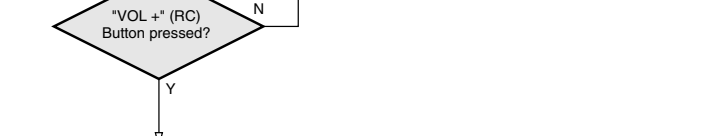
Table 4

ERROR CODE (Faulty Modules)

ERROR CODE	BASIC ENGINE PART	STI + PERIPHERALS
00	OK	OK
01	OK	Faulty
10	Faulty	OK
11	Faulty	Faulty

Table 3

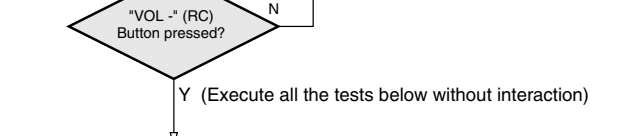
DVD PLAYER TEST



Go to next step by pressing
<Play> (RC)

STEP	DISPLAY	ACTION
1**	BAR PICTURE	Output of a test picture on all available video output devices.
2**	PINK NOISE	Output of noise on all channels available.
3A**	SCART LOOP DVD	Output of internally generated pink noise on all channels available, test picture (internally generated Colour Bar) on screen. Press <Left> (RC) to go to Step 3B.
3B**	SCART LOOP EXT	Output of internally generated pink noise on all channels available, test picture (external signal) on screen. Press <Play> (RC) to return to Step 3A.
4**	SINE SOUND	Sine sound output on all channels available. The sound can be stopped by pressing the "STOP"(RC) button.
5	ENG- "xx.yy.zz"	Returns the Software Version of the basic engine.
6	TRAY	The user can move the tray in and out by pressing "PLAY"(RC) or "RESUME"(RC) button. User can insert or remove a disc.
7	SLEDGE	The user can move the sledge in and out by pressing "PLAY"(RC) or "RESUME"(RC) button.
8**	MOTOR	The disc motor starts to run.
9**	FOCUS	Focus Test.
10**	RADIAL	Radial Test.
11	GROOVES	The laser spot jumps to another position. Press "PLAY"(RC) to jump to the next position. Press "RESUME"(RC) to jump to the previous jump position.
12	TRAY	The user can move the tray in and out by pressing "PLAY"(RC) or "RESUME"(RC) button. User can insert or remove a disc.
13	LO- "wxxxxzzz"	Reads out info from the error log (8 hex digits). Up to 16 errors can be stored in a buffer. The elements can be selected by pressing the "PLAY"(RC) or "RESUME"(RC) button. If the error log does not contain any fault codes, "LO-00000000" will be displayed.
14	ERROR "BITS xx"	Shows all error bits. Selects the error bit by pressing "PLAY"(RC) or "RESUME"(RC) button.
15	"aa-bbb cccc"	Runs the Dealer Test infinitely. The information returned from the module will be displayed. The loop number indicates the number of times the loop test has been performed. aa - Error Code Faulty Modules (see Table 3) bbb - Loop Number cccc - Error Code Nucleus (see Table 4)
		Disconnect mains cord to exit the Service Test Program.

DVD DEALER TEST



STEP	DISPLAY	ACTION
1	CHECKSUM FLASH	Check the correctness of the checksum of the flash.
2	S2B ECHO	S2B Echo Mode. (This test is executed very fast and hence user will not be able to see this display message)
3	IIC NVRAM	Check the correctness of the IIC bus to the NVRAM. (This test need about 3 minutes to perform)
4	NVRAM WRITE	Check writing to the NVRAM.
5	SDRAM WRITE	Check writing to the SDRAM. (This test is executed very fast and hence user will not be able to see this display message)
6	ALL TEST FAIL or ALL TEST PASS	Result of all the tests.
		Disconnect mains cord to exit the Service Test Program.

DVD Dealer Test is used to check the flash RAM, the SDRAM, the DRAM, the NVRAM and the I2C communication.

When all the tests are passed, display shows "ALL TEST PASS". If at least one of the test fails, display shows "ALL TEST FAIL".

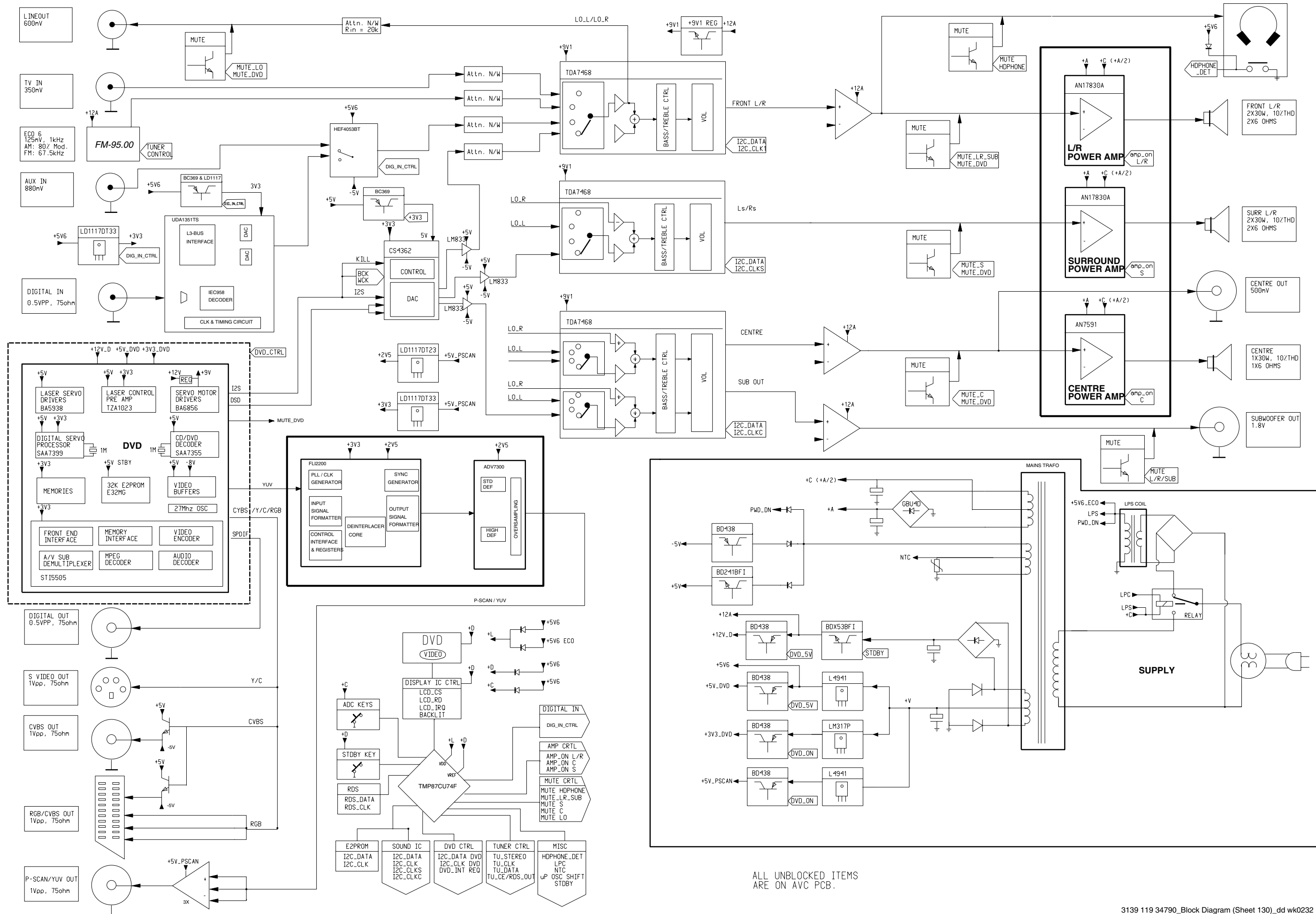
DVD Player Test is used to start several DVD specific tests. At the end of the test, an error code "aa-bbb cccc" (see Step15) will be shown that indicates which module(s) failed.

** User has to give a confirmation by triggering one of the following:
- If the test is OK, press "PLAY"(RC) button then follow by <Play> (RC) button to go to the next step.
- If the test is not OK, press "RESUME"(RC) button then follow by <Play> (RC) button to go to the next step.
Note : By pressing only the <Play> (RC) button to go to the next step without triggering a confirmation, the test will be assume as OK by default.

Equipment required to run the DVD Player Test:

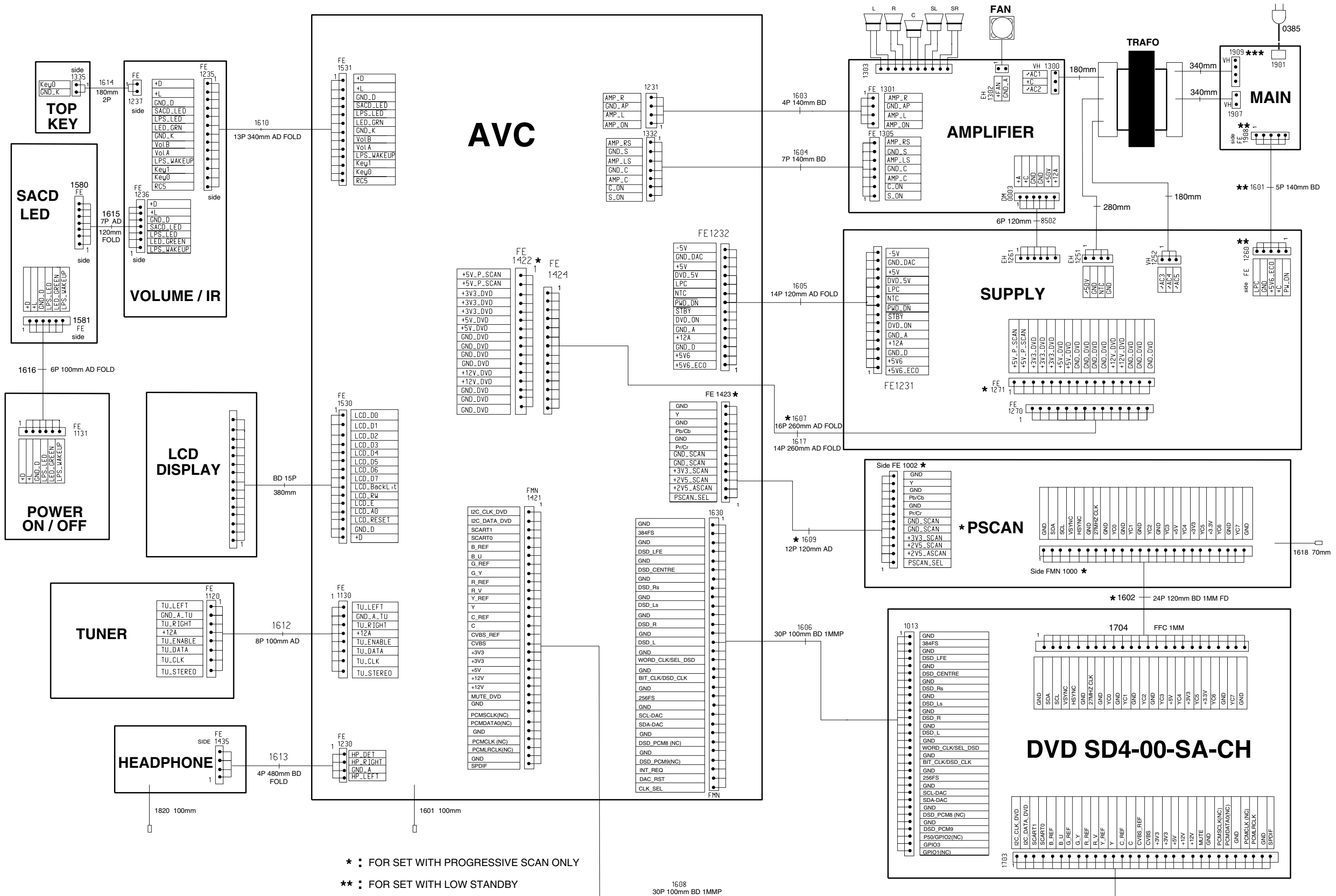
- television set
- 6 audio speakers
- an external video source

SET BLOCK DIAGRAM



ALL UNBLOCKED ITEMS ARE ON AVC PCB.

SET WIRING DIAGRAM



- * : FOR SET WITH PROGRESSIVE SCAN ONLY
- ** : FOR SET WITH LOW STANDBY
- *** : FOR /21 ONLY

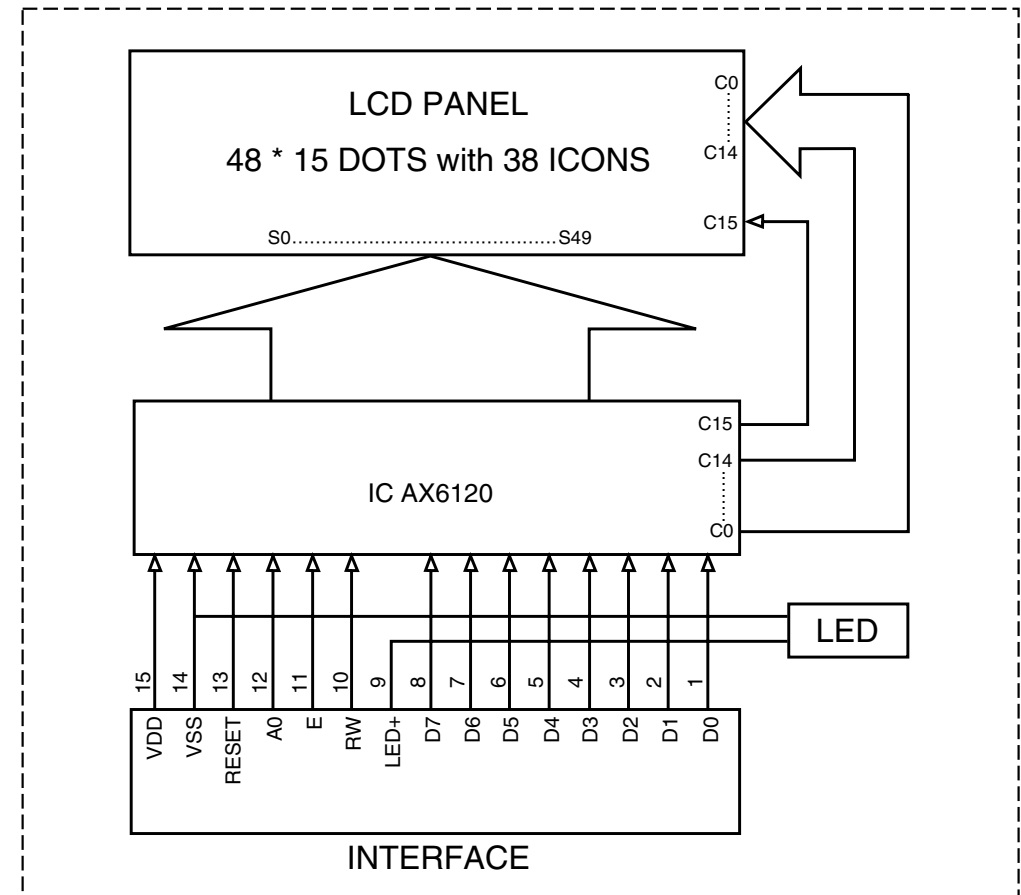
LCD MODULE

KEY & CONTROL BOARDS

TABLE OF CONTENTS

LCD Module - Block diagram 6-1
 LCD Module - Interface Pin Function 6-1
 Top Key Part - Layout & Circuit diagram 6-2
 SACD LED Part - Layout & Circuit diagram 6-3
 Volume & IR Part - Component & Chip layout 6-4
 Volume & IR Part - Circuit diagram 6-5
 Headphone Part - Layout & Circuit diagram 6-6
 Power ON/OFF Part - Layout & Circuit diagram 6-6
 Electrical parts list..... 6-7

BLOCK DIAGRAM

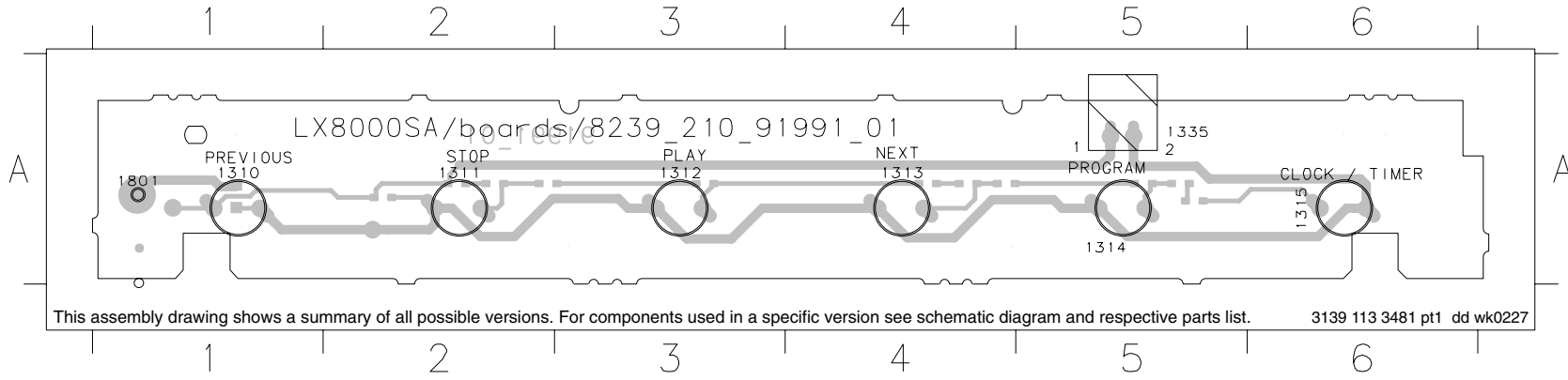


INTERFACE PIN FUNCTION

NO	SYMBOL	I/O	FUNCTION
1.	DB0	I/O	Data Bus
2.	DB1	I/O	Data Bus
3.	DB2	I/O	Data Bus
4.	DB3	I/O	Data Bus
5.	DB4	I/O	Data Bus
6.	DB5	I/O	Data Bus
7.	DB6	I/O	Data Bus
8.	DB7	I/O	Data Bus
9.	LED+	P	Power Supply for LED
10.	RW	I	Read/Write Execution Control
11.	E	I	Read/Write Start Signal
12.	A0	I	Register Select input
13.	RESET	I	Reset Input Pin
14.	VSS (LED-)	P	GND
15.	VDD	P	Power Supply for Logic

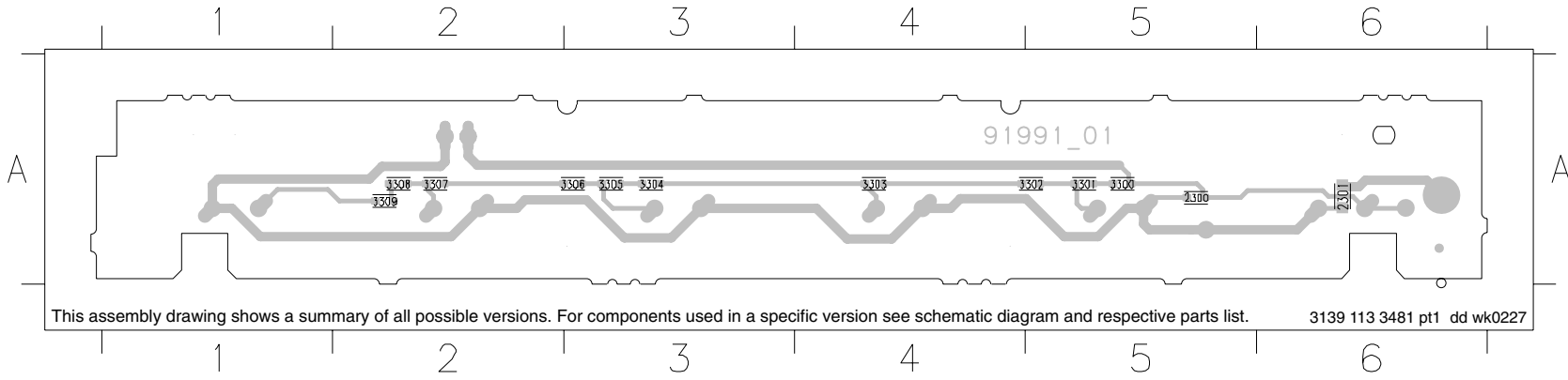
TOP KEY BOARD - COMPONENT LAYOUT

1310 A1 1311 A2 1312 A3 1313 A4 1314 A5 1315 A6 1335 A5 1801 A1



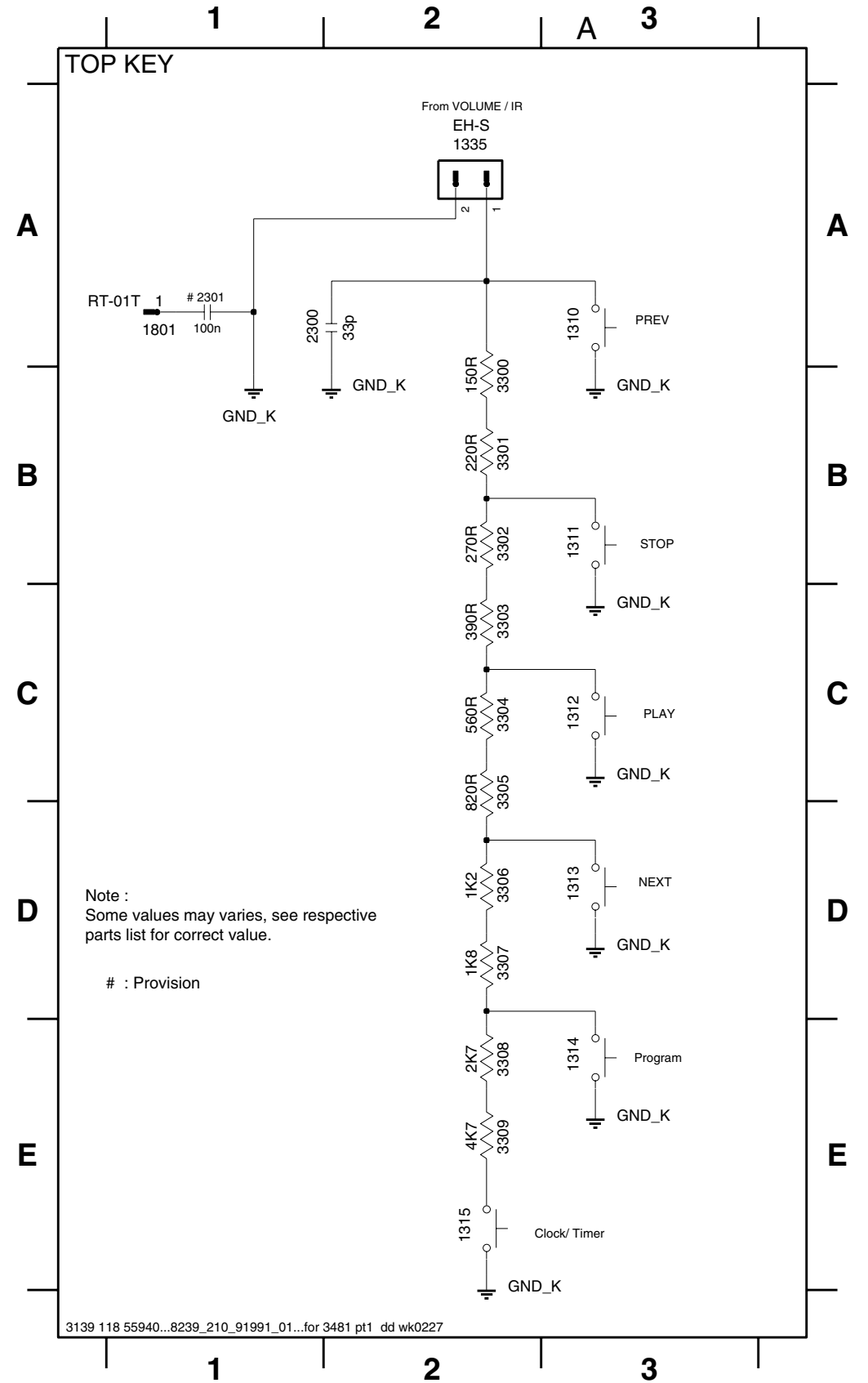
TOP KEY BOARD - CHIP LAYOUT

2300 A5 2301 A6 3300 A5 3301 A5 3302 A5 3303 A4 3304 A3 3305 A3 3306 A3 3307 A2 3308 A2 3309 A2

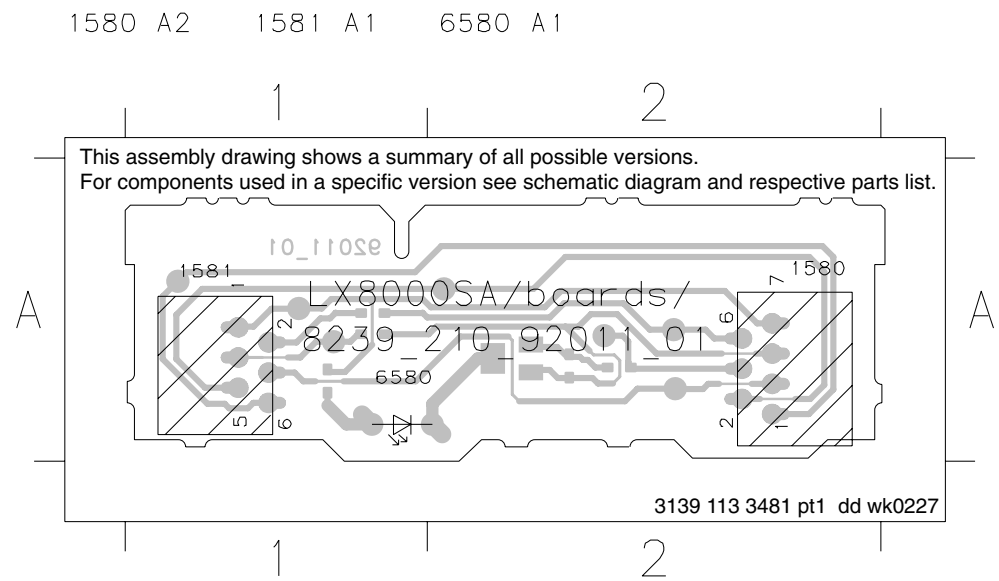


TOP KEY BOARD - CIRCUIT DIAGRAM

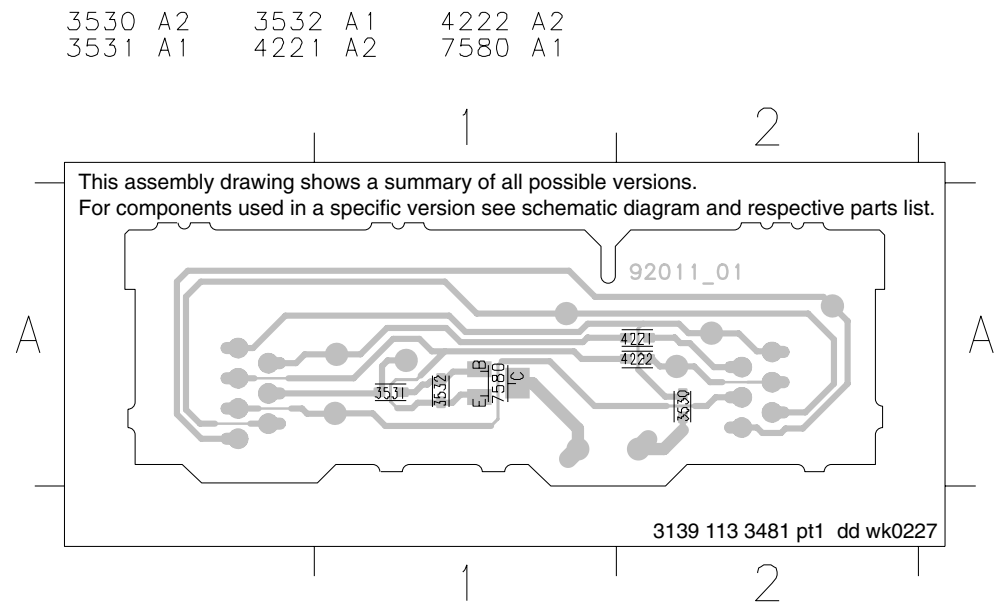
1310 A3	1313 D3	1335 A2	2301 A1	3302 B2	3305 C2	3308 E2
1311 B3	1314 E3	1801 A1	3300 B2	3303 C2	3306 D2	3309 E2
1312 C3	1315 E2	2300 A1	3301 B2	3304 C2	3307 D2	



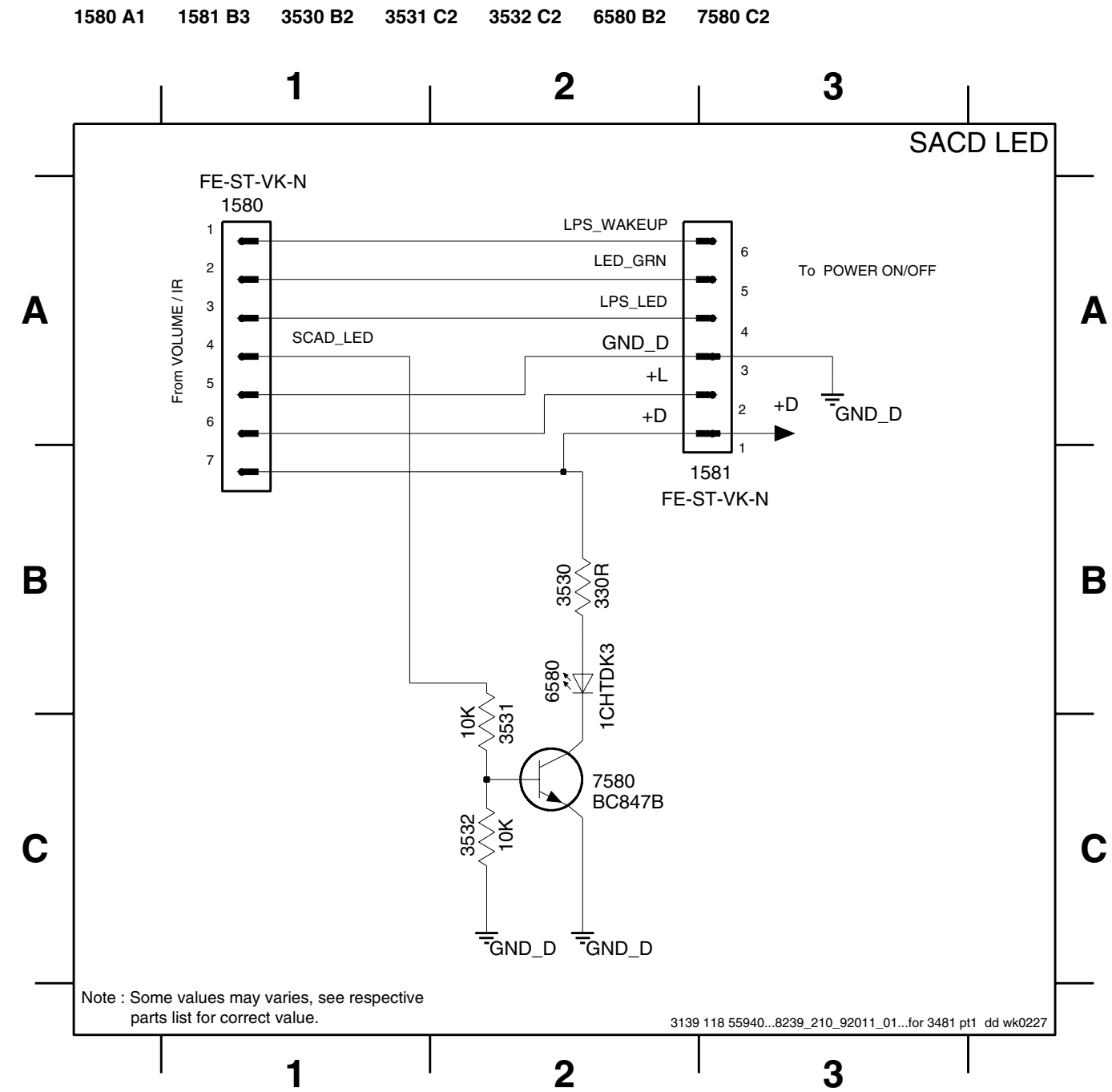
SACD LED BOARD - COMPONENT LAYOUT



SACD LED BOARD - CHIP LAYOUT

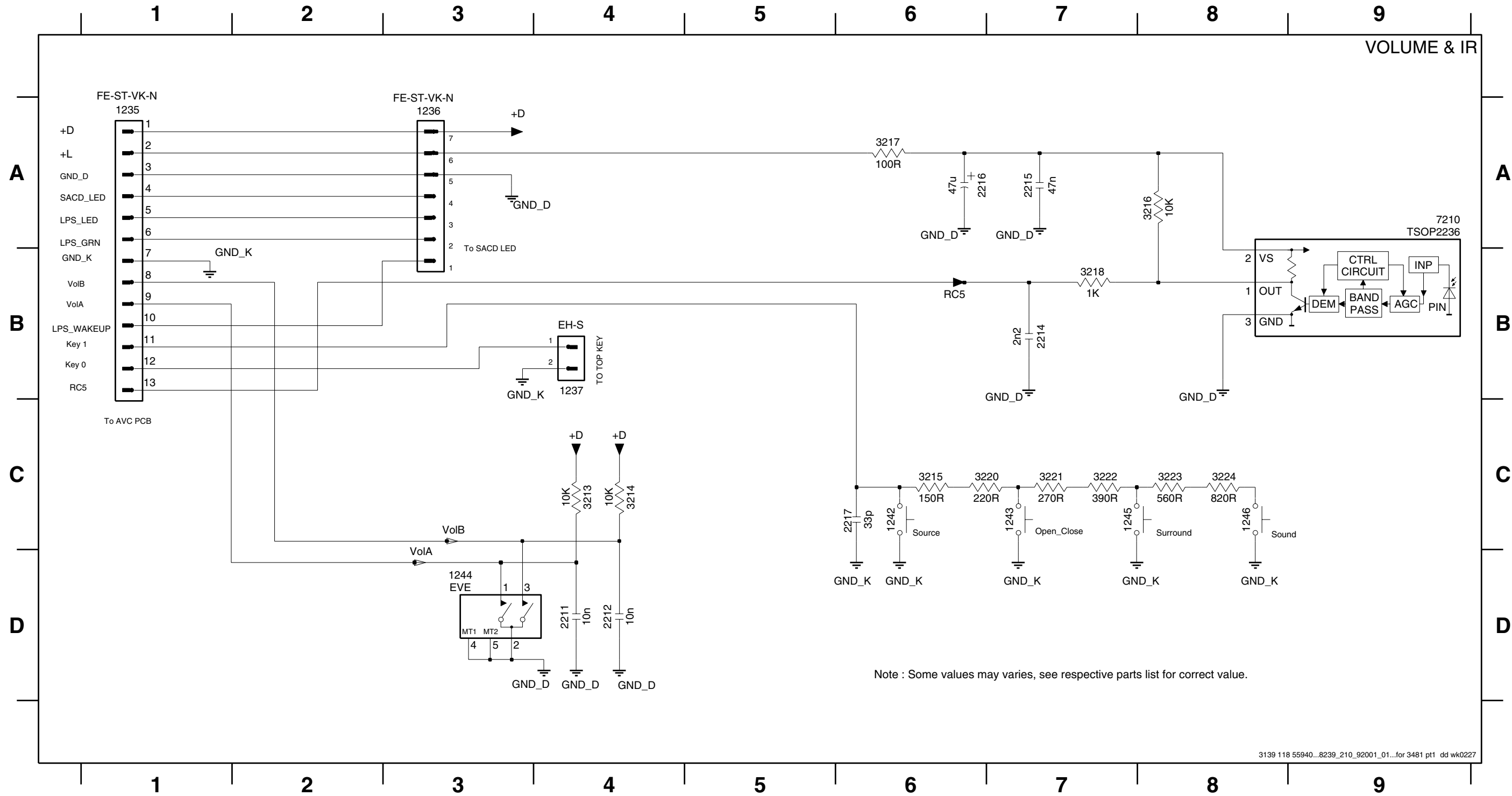


SACD LED BOARD - CIRCUIT DIAGRAM



VOLUME & IR BOARD - CIRCUIT DIAGRAM

1235 A1 1236 A3 1237 C4 1242 C6 1243 C7 1244 D3 1245 C7 1246 C8 2211 D4 2212 D4 2214 B7 2215 A7 2216 A6 2217 C6 3213 C4 3214 C4 3215 C6 3216 A8 3217 A6 3218 B7 3220 C7 3221 C7 3222 C7 3223 C8 3224 C8 7210 A9

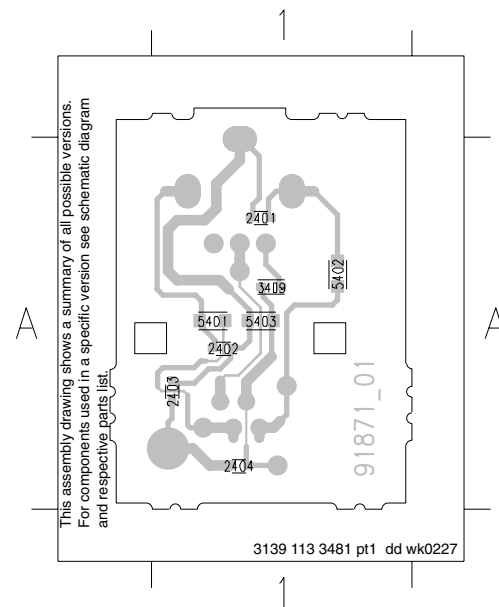
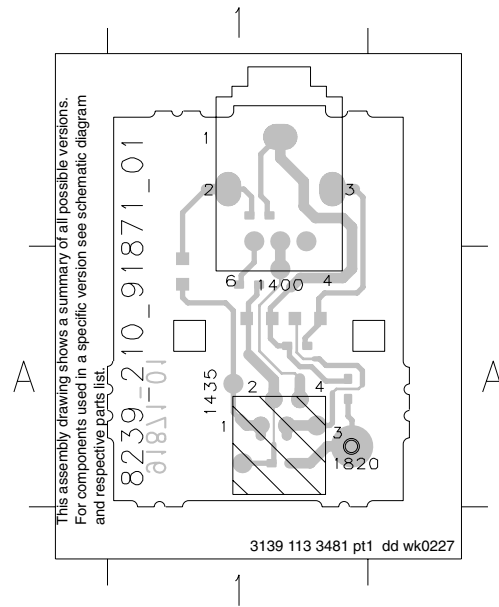


HEADPHONE BOARD - COMPONENT LAYOUT

HEADPHONE BOARD - CHIP LAYOUT

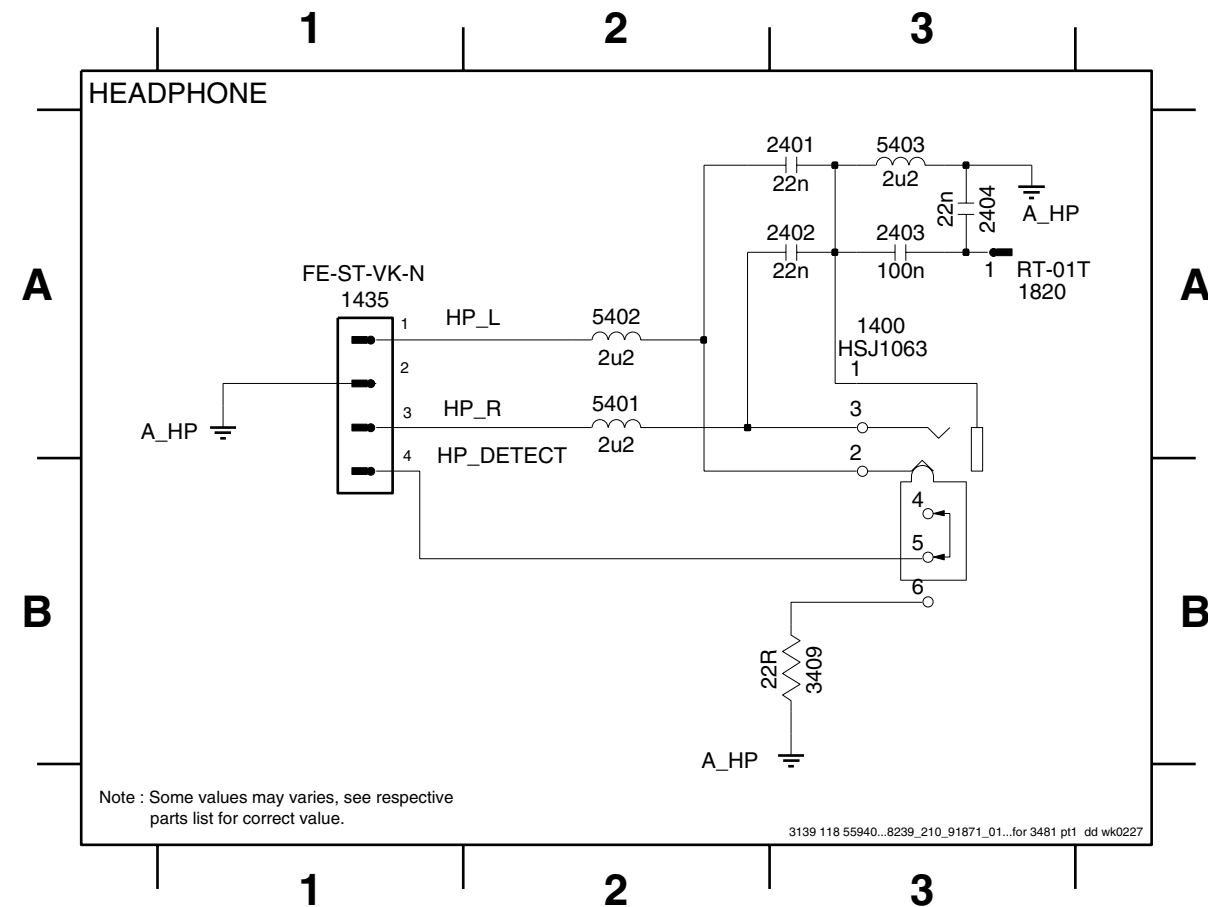
1400 A1 1435 A1 1820 A1

2401 A1 2404 A1 5402 A1
 2402 A1 3409 A1 5403 A1
 2403 A1 5401 A1



HEADPHONE BOARD - CIRCUIT DIAGRAM

1400 A3 1820 A3 2402 A3 2404 A3 5401 A2 5403 A3
 1435 A1 2401 A3 2403 A3 3409 B3 5402 A2

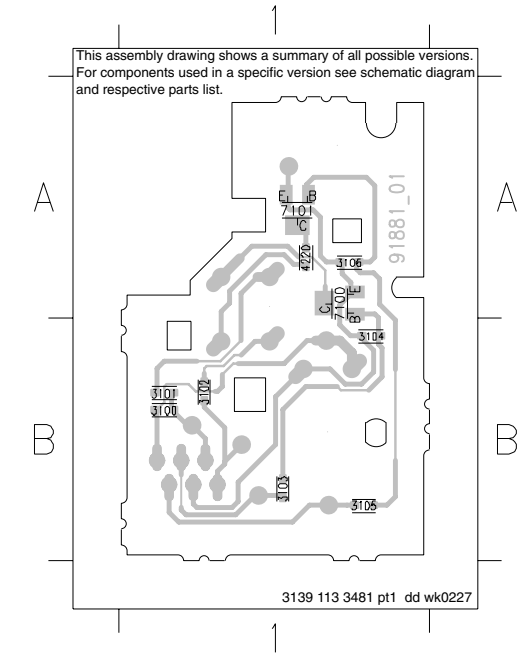
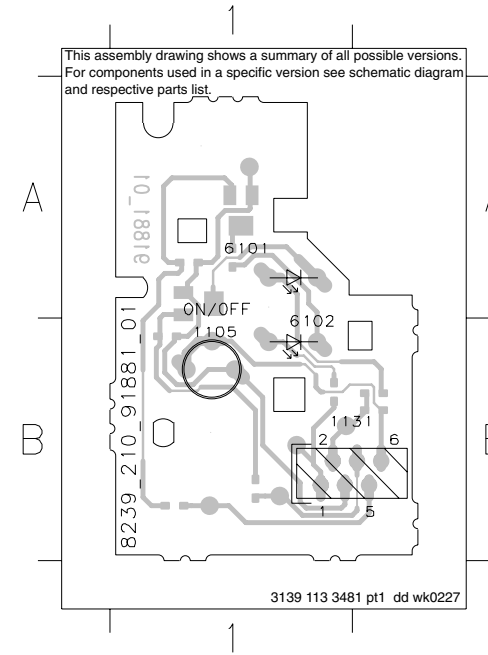


POWER ON/OFF BOARD - COMPONENT LAYOUT

POWER ON/OFF BOARD - CHIP LAYOUT

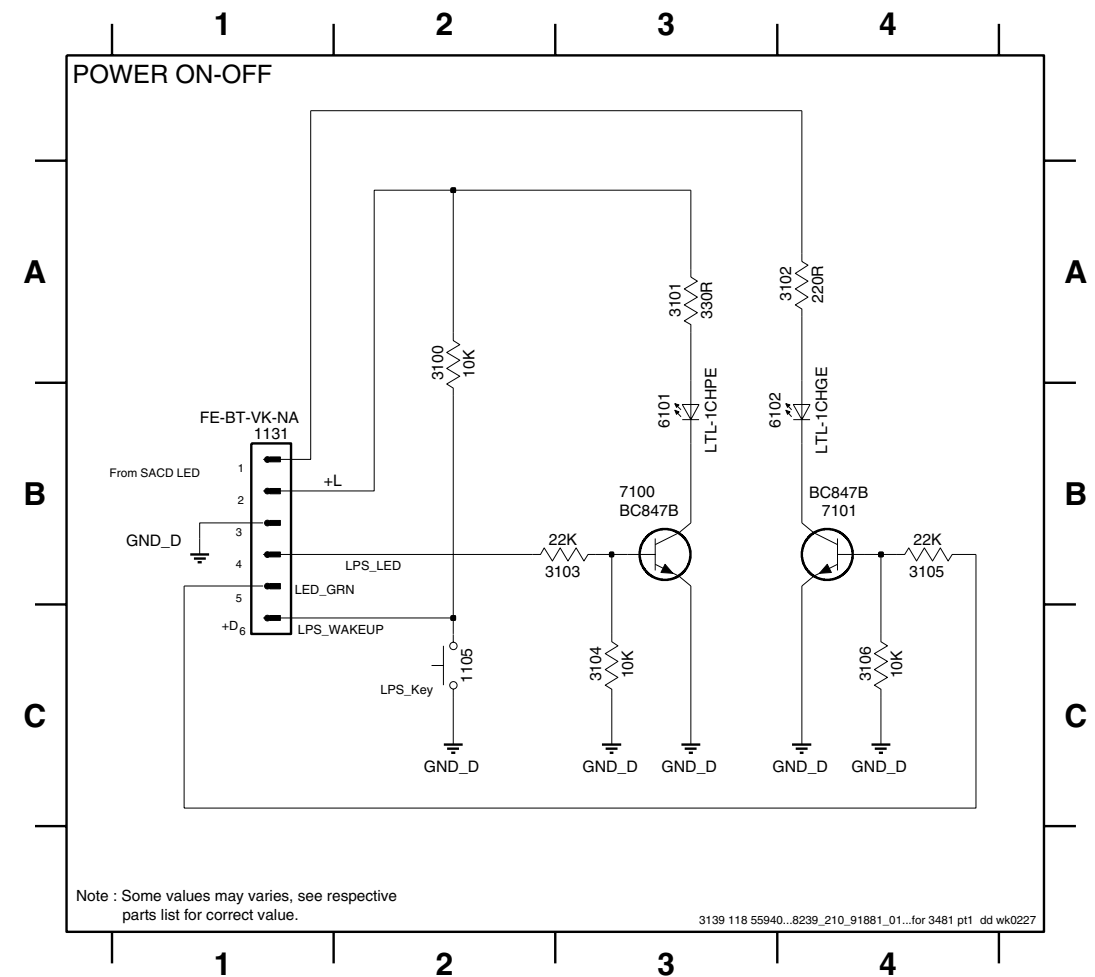
1105 B1 6101 A1
 1131 B1 6102 B1

3100 B1 3104 B1 7100 A1
 3101 B1 3105 B1 7101 A1
 3102 B1 3106 A1
 3103 B1 4220 A1



POWER ON/OFF BOARD - CIRCUIT DIAGRAM

1105 C2 3100 A2 3102 A4 3104 C3 3106 C4 6102 B4 7101 B4
 1131 B1 3101 A3 3103 B3 3105 B4 6101 B3 7100 B3



ELECTRICAL PARTS LIST - KEY & CONTROL BOARDS**MISCELLANEOUS**

1105	4822 276 13775	Tact Switch
1131	4822 267 10731	Flex Connector 6P
1235	4822 267 10756	Flex Connector 13P
1236	4822 267 10956	Flex Connector 7P
1242	4822 276 13775	Tact Switch
1243	4822 276 13775	Tact Switch
1244	2422 129 16836	Rotary Encoder 12P
1245	4822 276 13775	Tact Switch
1246	4822 276 13775	Tact Switch
1310	4822 276 13775	Tact Switch
1311	4822 276 13775	Tact Switch
1312	4822 276 13775	Tact Switch
1313	4822 276 13775	Tact Switch
1314	4822 276 13775	Tact Switch
1315	4822 276 13775	Tact Switch
1400	2422 026 05332	Headphone Socket
1435	4822 265 11183	Flex Connector 4P
1580	4822 267 10956	Flex Connector 7P
1581	4822 265 11207	Flex Connector 6P

CAPACITORS

2211	5322 126 11583	10nF 10% 50V
2212	5322 126 11583	10nF 10% 50V
2214	2238 786 11554	2,2nF 5% 16V
2215	3198 017 34730	47nF 16V
2216	4822 124 81286	47uF 20% 16V
2217	2222 867 15339	33pF 5% 50V
2300	2222 867 15339	33pF 5% 50V
2401	3198 017 42230	22nF 50V
2402	3198 017 42230	22nF 50V
2403	2238 586 59812	100nF +80/-20% 50V
2404	3198 017 42230	22nF 50V

RESISTORS

3100	4822 051 30103	10k 5% 0,062W
3101	4822 051 30331	330R 5% 0,062W
3102	4822 051 30221	220R 5% 0,062W
3103	4822 051 30223	22k 5% 0,062W
3104	4822 051 30103	10k 5% 0,062W
3105	4822 051 30223	22k 5% 0,062W
3106	4822 051 30103	10k 5% 0,062W
3213	4822 051 30103	10k 5% 0,062W
3214	4822 051 30103	10k 5% 0,062W
3215	4822 051 30151	150R 5% 0,062W
3216	4822 051 30103	10k 5% 0,062W
3217	4822 051 30101	100R 5% 0,062W
3218	4822 051 30102	1k 5% 0,062W
3220	4822 051 30221	220R 5% 0,062W
3221	4822 051 30271	270R 5% 0,062W
3222	4822 051 30391	390R 5% 0,062W
3223	4822 051 30561	560R 5% 0,062W

3224	4822 117 12968	820R 5% 0,62W
3300	4822 051 30151	150R 5% 0,062W
3301	4822 051 30221	220R 5% 0,062W
3302	4822 051 30271	270R 5% 0,062W
3303	4822 051 30391	390R 5% 0,062W
3304	4822 051 30561	560R 5% 0,062W
3305	4822 117 12968	820R 5% 0,62W
3306	4822 117 11817	1k2 1% 1/16W
3307	4822 117 12903	1k8 1% 0,063W
3308	4822 051 30272	2k7 5% 0,062W
3309	4822 051 30472	4k7 5% 0,062W
3409	4822 117 12139	22R 5% 0,062W
3530	4822 051 30331	330R 5% 0,062W
3531	4822 051 30103	10k 5% 0,062W
3532	4822 051 30103	10k 5% 0,062W
4201	4822 051 30008	0R Jumper 0603
4202	4822 051 30008	0R Jumper 0603
4203	4822 051 30008	0R Jumper 0603
4204	4822 051 30008	0R Jumper 0603
4205	4822 051 30008	0R Jumper 0603
4206	4822 051 30008	0R Jumper 0603
4207	4822 051 30008	0R Jumper 0603
4208	4822 051 30008	0R Jumper 0603
4209	4822 051 30008	0R Jumper 0603
4210	4822 051 30008	0R Jumper 0603
4211	4822 051 30008	0R Jumper 0603
4212	4822 051 30008	0R Jumper 0603
4213	4822 051 30008	0R Jumper 0603
4214	4822 051 30008	0R Jumper 0603
4215	4822 051 30008	0R Jumper 0603
4216	4822 051 30008	0R Jumper 0603
4217	4822 051 30008	0R Jumper 0603
4218	4822 051 30008	0R Jumper 0603
4219	4822 051 30008	0R Jumper 0603
4220	4822 051 30008	0R Jumper 0603
4221	4822 051 30008	0R Jumper 0603
4222	4822 051 30008	0R Jumper 0603

COILS & FILTERS

5401	4822 157 10586	Coil 2,2uH 10%
5402	4822 157 10586	Coil 2,2uH 10%
5403	4822 157 10586	Coil 2,2uH 10%

DIODES

6101	4822 130 82978	LED VS LTL-1CHPE
6102	4822 130 10791	LED VS LTL-1CHGE
6580	9322 185 23676	LED VS LTL-1CHTDK3

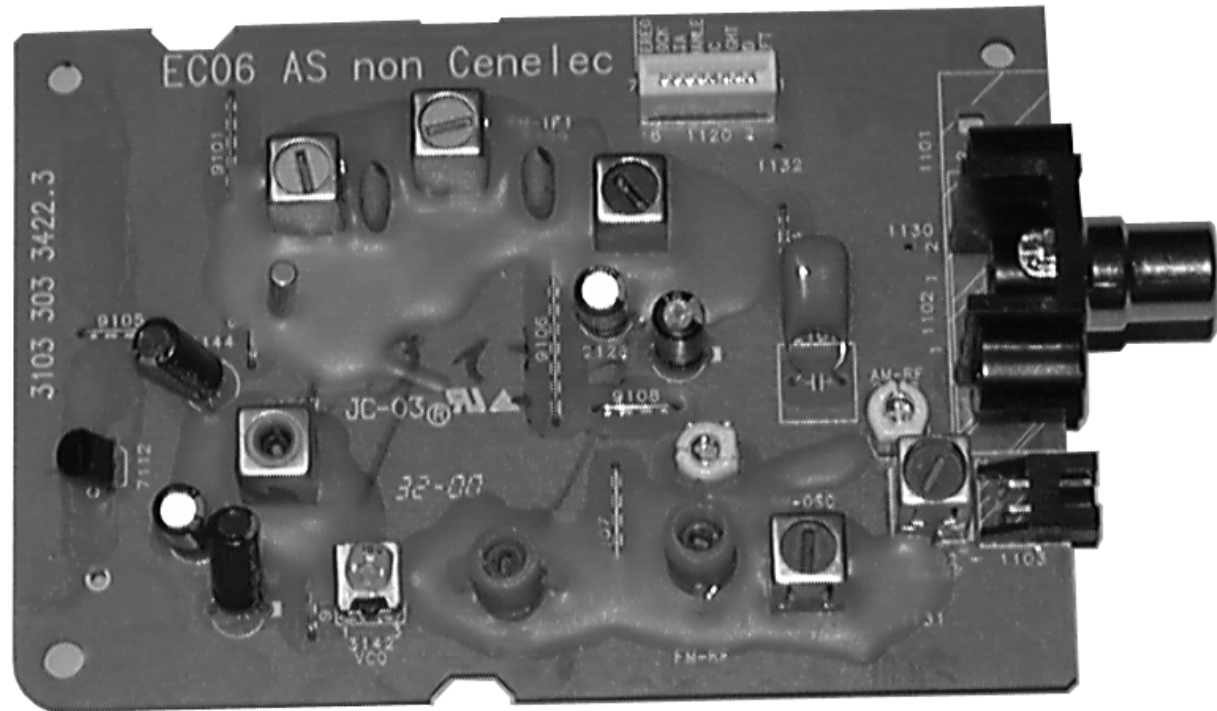
TRANSISTORS & INTEGRATED CIRCUITS

7100	5322 130 60159	BC847B
7101	5322 130 60159	BC847B

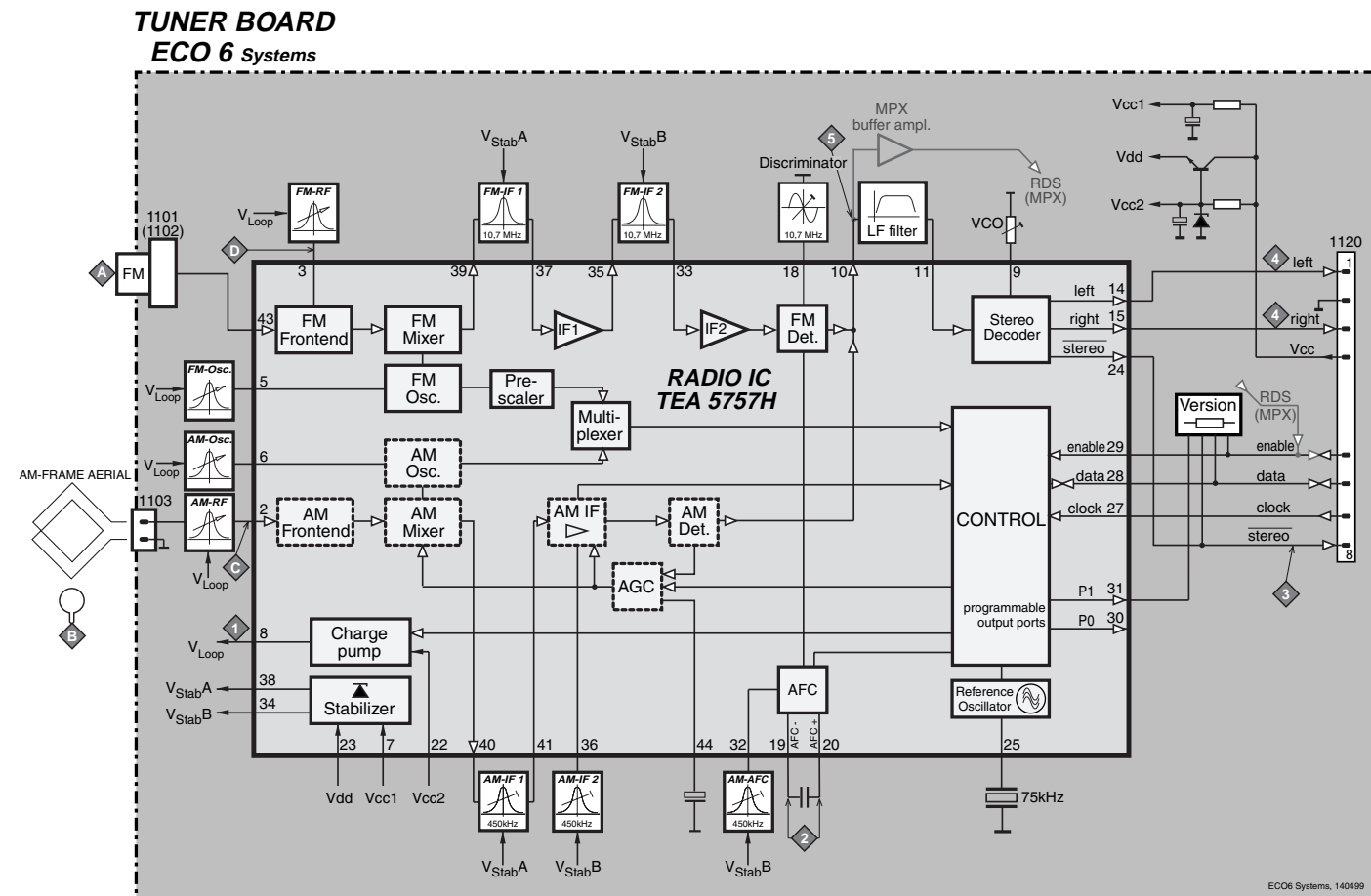
ELECTRICAL PARTS LIST - KEY & CONTROL BOARDS**TRANSISTORS & INTEGRATED CIRCUITS**

7210	9322 155 82667	IR Receiver TSOP2236ZC1
7580	5322 130 60159	BC847B

Note : Only the parts mentioned in this list are normal service spare parts.



BLOCK DIAGRAM



ECO6 Tuner Board

version: **SYSTEMS non-CENELEC**

TABLE OF CONTENTS

Blockdiagram7A-1
 Schematic Diagram7A-2
 Component Layout7A-3
 Adjustment table7A-3
 Electrical Partslist7A-4

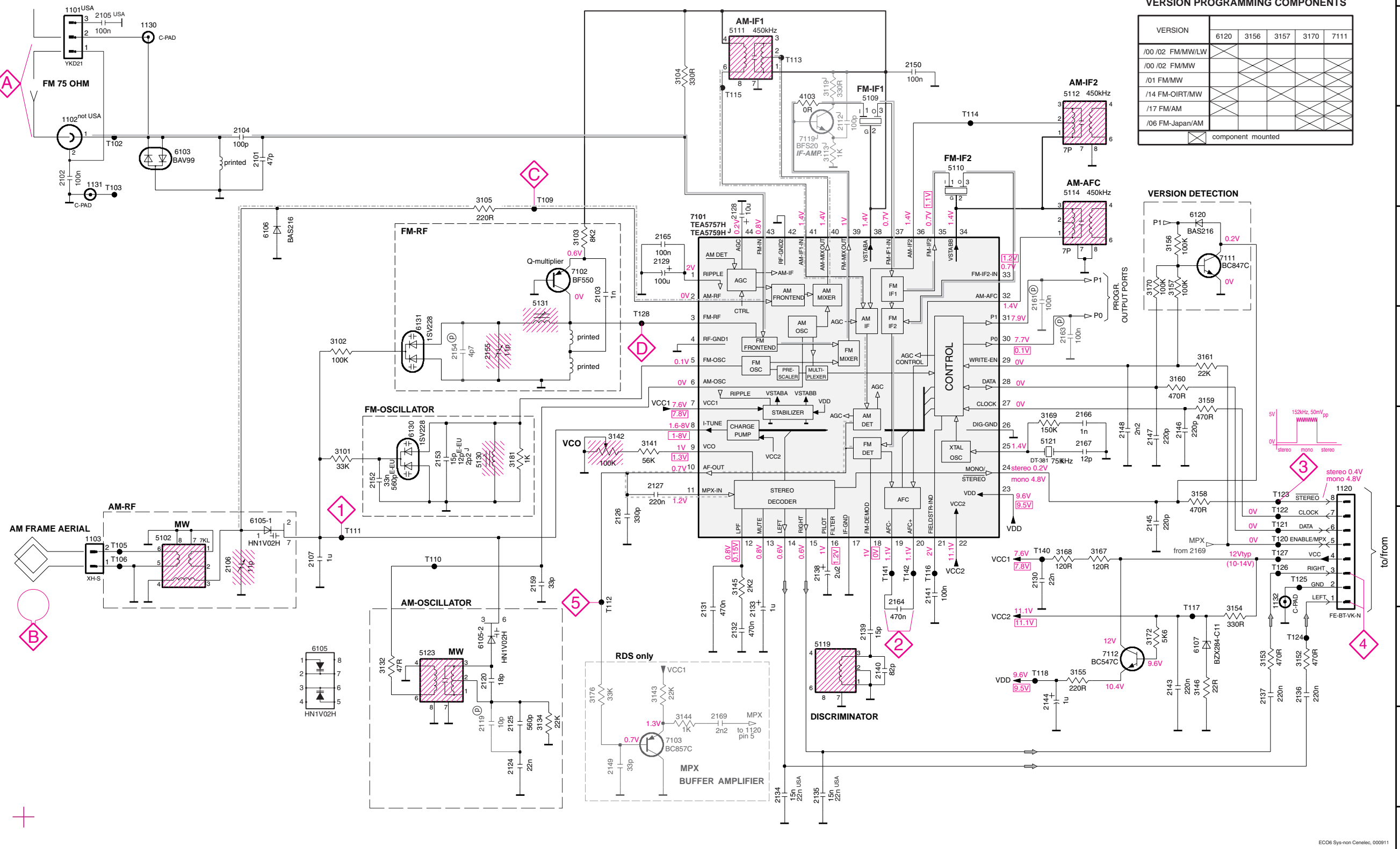
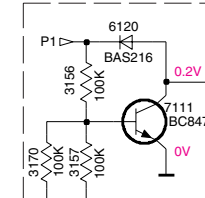
TUNER BOARD ECO6 / SYSTEMS NON CENELEC

VERSION PROGRAMMING COMPONENTS

VERSION	6120	3156	3157	3170	7111
/00 /02 FM/MW/LW					
/00 /02 FMMW					
/01 FM/MW					
/14 FM-OIRT/MW					
/17 FM/AM					
/06 FM-Japan/AM					

⊗ component mounted

VERSION DETECTION



stereo 0.4V
mono 4.8V

LEGEND

- Ⓟ... for provision only
- USA ... for USA version only
- E-EU ... for East European version only
- J ... for Japanese version only

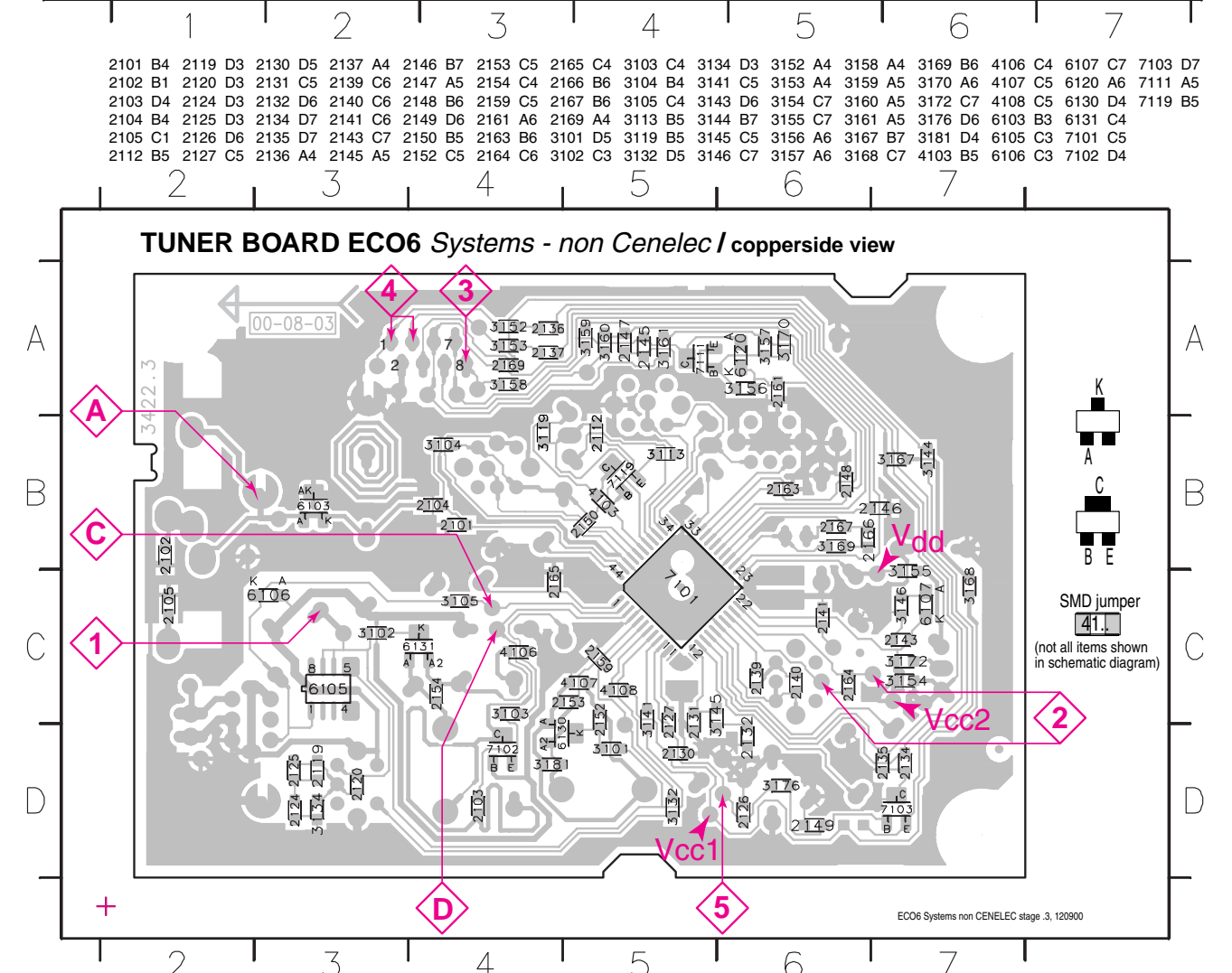
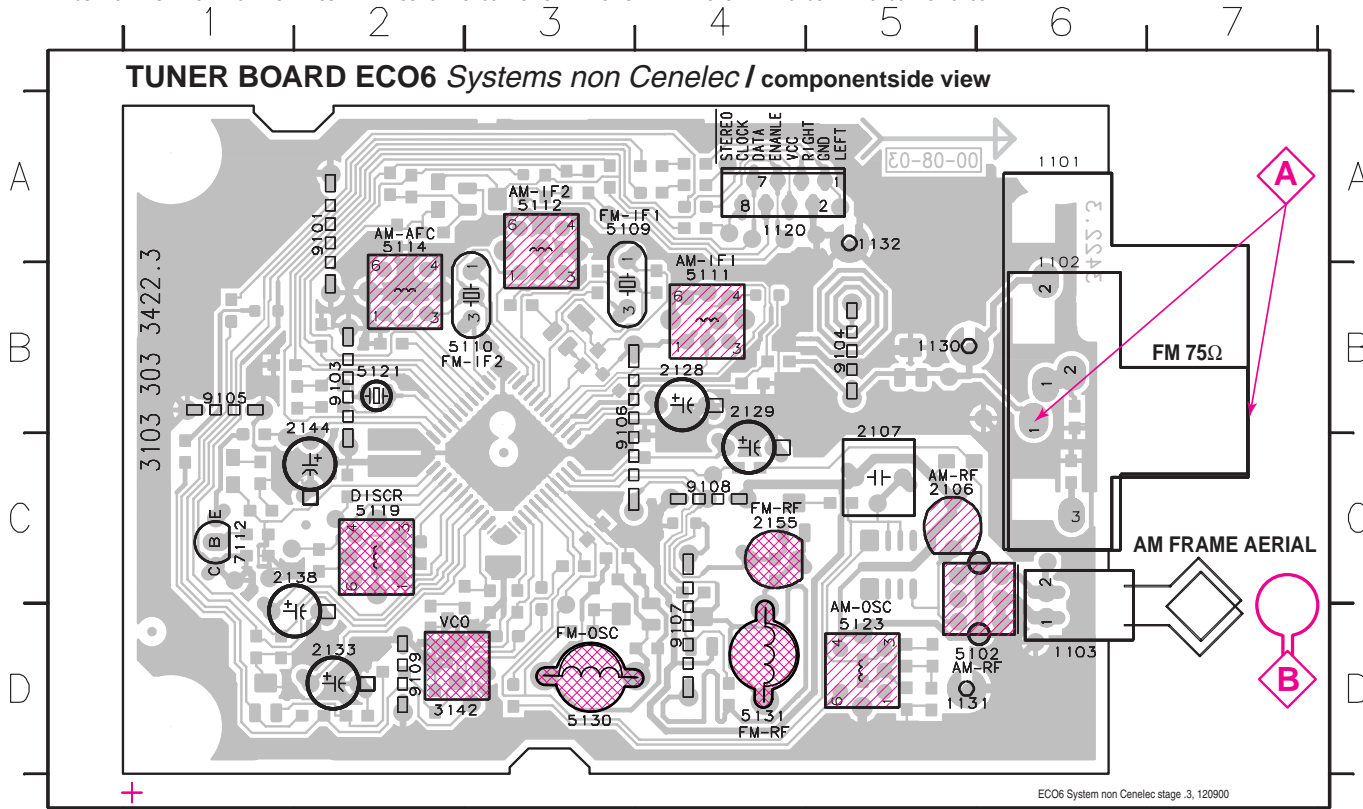
- Ⓜ ...V FM mode stereo
- Ⓜ ...V MW mode
- Ⓜ ...V LW mode
- Ⓜ voltages measured while set is tuned to a strong transmitter

Signal path

- FM
- - - AM
- - - MPX (Audio Frequency)
- ⇒ AF - left/right

1101 A1
1102 B1
1103 F2
1120 E14
1130 A2
1131 B2
1132 G13
2101 B3
2102 B1
2103 C7
2104 B3
2105 A2
2106 F3
2107 F4
2119 H6
2120 G6
2124 H6
2125 H6
2126 F7
2127 E7
2128 C8
2129 C7
2130 F11
2131 G8
2132 G8
2133 G8
2134 H8
2135 H9
2136 G14
2137 G13
2138 F12
2139 G9
2140 G9
2141 F10
2143 G12
2144 G11
2145 F12
2146 E12
2147 E12
2148 E12
2149 H7
2150 A10
2152 E4
2153 E5
2154 D5
2155 D5
2159 F6
2161 C11
2163 D11
2164 F10
2165 C7
2166 E11
2167 E11
2169 H8
3101 E4
3102 D4
3105 C6
3104 A7
3105 B6
3132 G5
3134 H6
3141 E7
3142 E7
3143 G7
3144 H7
3145 F8
3146 G13
3152 G14
3153 G13
3154 G13
3155 G11
3156 C12
3157 C12
3158 E13
3159 D13
3160 D12
3161 D13
3167 F12
3168 F11
3169 E11
3170 C12
3172 G12
3176 G7
3181 E6
5102 F2
5109 B9
5110 B10
5111 A6
5112 A11
5114 B11
5119 G9
5121 E11
5123 G5
5130 E5
5131 C6
6103 B2
6105-1 F3
6105-2 G5
6106 C3
6107 G13
6120 C13
6130 E5
6131 D5
7101 C8
7102 C6
7103 H7
7111 C13
7112 G12
T102 B2
T105 F2
T106 F2
T110 F5
T111 F4
T112 F7
T113 A8
T114 B10
T115 A8
T116 F10
T117 G13
T118 G11
T120 F13
T121 F13
T122 F13
T123 E13
T124 G14
T125 F14
T126 F13
T127 F13
T128 D7
T140 F11
T141 F10
T142 F10

1101 A6 1120 A4 1132 A5 2128 C4 2138 C2 3142 D2 5110 B3 5114 A2 5123 D5 7112 C1 9104 B5 9107 D4
 1102 B6 1130 B5 2106 C5 2129 B4 2144 B2 5102 D6 5111 B4 5119 C2 5130 D3 9101 A2 9105 B1 9108 C4
 1103 D6 1131 D5 2107 B5 2133 D2 2155 C4 5109 A3 5112 A3 5121 B2 5131 D4 9103 B2 9106 B3 9109 D2



These assembly drawings show a summary of all possible versions.
 For components used in a specific version see schematic diagram respectively partslist.

TUNER ADJUSTMENT TABLE (ECO6 FM/MW- and FM/MW/LW - versions with AM-frame aerial)

Waverange	Input frequency	Input	Tuned to	Adjust	Output	Scope/Voltmeter
VARICAP ALIGNMENT						
FM 87.5 - 108MHz (65.81 - 74, 87.5 - 108MHz)			108MHz	5130	1	8V ±0.2V
			87.5MHz (65.81MHz)	check		4.3V ±0.5V (1.2V ±0.5V)
MW FM/AM-version, 10kHz grid 530 - 1700kHz			1700kHz	5123	1	8V ±0.2V
			530kHz	check		1.1V ±0.4V
FM/MW-version, 9kHz grid 531 - 1602kHz			1602kHz	5123	1	6.9V ±0.2V
			531kHz	check		1.1V ±0.4V
LW 153 - 279kHz			279kHz	5122	1	8V ±0.2V
			153kHz	check		1.1V ±0.4V
MW FM/MW/LW- version, 9kHz grid 531 - 1602kHz			1602kHz	5123	1	8V ±0.2V
			531kHz	check		1.1V ±0.4V
FM IF						
FM	10.7MHz, 45mV continuous wave	D		5119	2	0 ± 3 mV DC
FM RF						
FM 87.5 - 108MHz (65.81 - 74, 87.5 - 108MHz)	108MHz	A	108MHz	2155	4	MAX
	87.5MHz (65.81MHz)	mod=1kHz Δf=±22.5kHz	87.5MHz (65.81MHz)	5131		
VCO						
FM	98MHz, 1mV continuous wave	A	98MHz	3142	3	152kHz ±1kHz ¹⁾
AM IF						
MW	450kHz connect pin 6 of IC 7101 (AM Osc.) with 3.3kΩ to Vcc	C		5111	5	
				5112		
AM AFC		C		5114	2	0 ± 2 mV DC
AM RF³⁾						
MW⁴⁾ FM/MW/LW- and FM/MW- version (9kHz grid) 531 - 1602kHz	1494kHz	B	1494kHz	2106	5	
	531 - 1602kHz		558kHz	5102		
LW	198kHz	B	198kHz	5103	5	
MW FM/AM-version, 10kHz grid 530 - 1700kHz	1500kHz		1500kHz	2106		
	560kHz	Δf = ±30kHz V _{RF} as low as possible	560kHz	5102		

Use Service Testprogram. By selecting the TUNER TEST test frequencies will be stored as preset frequencies automatically.

- 1) If sensitivity of frequency counter is too low adjust to max. channel separation (input signal: stereo left 90% + 9%, adjust output on right channel to minimum)
- 2) RC network serves for damping the IF-filter while adjusting the other one.
- 3) For AM RF adjustments the original frame antenna has to be used !
- 4) MW has to be aligned before LW.

↑ Repeat

MISCELLANEOUS

1101	2422 015 19376	SOCKET 2P CLICKFIT	USA only
1102	4822 267 10283	SOCKET COAX, IEC 75Ω	not USA
1103	4822 265 31184	JST CONNECTOR 2 POLE	
1120	4822 265 11515	FFC SOCKET, 8P	

CAPACITORS

2101	4822 126 13692	47pF	1%	63V	
2102	4822 126 13838	100nF	10%	50V	not USA
2103	5322 122 31647	1nF	10%	63V	
2104	5322 122 32531	100pF	5%	50V	
2105	4822 126 13838	100nF	10%	50V	USA only

2106	2020 800 00191	3-11pF TRIMCAP.,N450		
2107	4822 121 51319	1μF	20%	50V
2120	4822 126 13689	18pF	1%	63V
2124	5322 122 32654	22nF	10%	63V
2125	2020 552 96199	560pF	1%	50V

2126	5322 122 31863	330pF	5%	50V
2127	4822 126 14076	220nF	20%	25V
2128	4822 124 40248	10μF	20%	63V
2129	4822 124 41584	100μF	20%	10V
2130	5322 122 32654	22nF	10%	63V

2131	4822 126 13482	470nF	20%	16V	
2132	4822 126 13482	470nF	20%	16V	
2133	4822 124 21913	1μF	20%	63V	
2134	4822 126 13188	15nF	5%	63V	not USA
2134	5322 122 32654	22nF	10%	63V	USA only

2135	4822 126 13188	15nF	5%	63V	not USA
2135	5322 122 32654	22nF	10%	63V	USA only
2136	4822 126 14076	220nF	20%	25V	
2137	4822 126 14076	220nF	20%	25V	
2138	4822 124 22652	2,2μF	20%	50V	

2139	4822 126 14236	15pF	5%	50V
2140	4822 126 13695	82pF	1%	63V
2141	4822 126 13838	100nF	10%	50V
2143	4822 126 14076	220nF	20%	25V
2144	4822 124 21913	1μF	20%	63V

2145	4822 122 33575	220pF	5%	50V	
2146	4822 122 33575	220pF	5%	50V	
2147	4822 122 33575	220pF	5%	50V	
2148	4822 122 33127	2,2nF	10%	63V	
2149	5322 122 32659	33pF	5%	50V	RDS only

2150	4822 126 13838	100nF	10%	50V	
2152	4822 126 12105	33nF	5%	63V	not for East Europe
2152	5322 116 80853	560pF	5%	63V	for East Europe only
2153	4822 126 13486	15pF	2%	63V	not for East Europe
2153	4822 122 33926	12pF	2%	50V	for East Europe only

2155	2020 800 00191	3-11pF TRIMCAP.,N450		
2159	5322 122 32659	33pF	5%	50V
2164	4822 126 13482	470nF	20%	16V
2165	4822 126 13838	100nF	10%	50V
2166	5322 122 31647	1nF	10%	63V

2167	4822 122 33926	12pF	5%	50V	
2169	4822 122 33127	2,2nF	10%	63V	RDS only

RESISTORS

3101	4822 051 20333	33kΩ	5%	0,1W
3102	4822 117 10837	100kΩ	1%	0,1W
3103	4822 051 20822	8,2kΩ	5%	0,1W
3104	4822 117 13577	330Ω	1%	0,1W
3105	4822 117 11503	220Ω	5%	0,1W

3132	4822 051 20479	47Ω	5%	0,1W
3134	4822 051 20223	22kΩ	5%	0,1W
3141	4822 117 11148	56kΩ	1%	0,1W
3142	4822 100 12159	TRIMPOT. 100kΩ		

RESISTORS

3143	4822 051 20223	22kΩ	5%	0,1W	RDS only
3144	4822 051 10102	1kΩ	2%	0,25W	RDS only
3145	4822 117 11449	2,2kΩ	1%	0,1W	
3146	4822 051 20229	22Ω	5%	0,1W	
3152	4822 051 20471	470Ω	5%	0,1W	

3153	4822 051 20471	470Ω	5%	0,1W
3154	4822 117 13577	330Ω	1%	0,1W
3155	4822 117 11503	220Ω	5%	0,1W
3156	4822 117 10837	100kΩ	1%	0,1W
3157	4822 117 10837	100kΩ	1%	0,1W

3158	4822 051 20471	470Ω	5%	0,1W
3159	4822 051 20471	470Ω	5%	0,1W
3160	4822 051 20471	470Ω	5%	0,1W
3161	4822 051 20223	22kΩ	5%	0,1W
3167	4822 051 20121	120Ω	5%	0,1W

3168	4822 051 20121	120Ω	5%	0,1W	
3169	4822 051 20154	150kΩ	5%	0,1W	
3170	4822 117 10837	100kΩ	1%	0,1W	
3172	4822 051 20562	5,6kΩ	5%	0,1W	
3176	4822 051 20333	33kΩ	5%	0,1W	RDS only

3181	4822 051 10102	1kΩ	2%	0,25W
4103	4822 051 20008	CHIP JUMPER 0805		
4106	4822 051 20008	CHIP JUMPER 0805		
4107	4822 051 20008	CHIP JUMPER 0805		
4108	4822 051 20008	CHIP JUMPER 0805		

COILS

5102	4822 157 71634	RF-COIL MW
5109	4822 242 70665	FM-IF FILTER 10,7MHz
5110	4822 242 70665	FM-IF FILTER 10,7MHz
5111	2422 549 44023	AM-IF FILTER 450kHz
5112	4822 157 70302	AM-IF FILTER 450kHz

5114	4822 157 70302	AM-IF FILTER 450kHz
5119	4822 157 11443	DISCRIMINATOR COIL
5121	4822 242 10261	QUARTZ 75kHz
5123	2422 549 44108	RF-COIL, AM-OSCILLATOR
5130	4822 157 11843	RF COIL 1,5 TURNS

5131	4822 157 11843	RF COIL 1,5 TURNS
------	----------------	-------------------

DIODES

6103	5322 130 34337	BAV99
6105	4822 130 83075	HN1V02H
6106	4822 130 83757	BAS216
6107	9340 386 90115	BZX284-C11
6120	4822 130 83757	BAS216

6130	4822 130 82833	1SV228
6131	4822 130 82833	1SV228

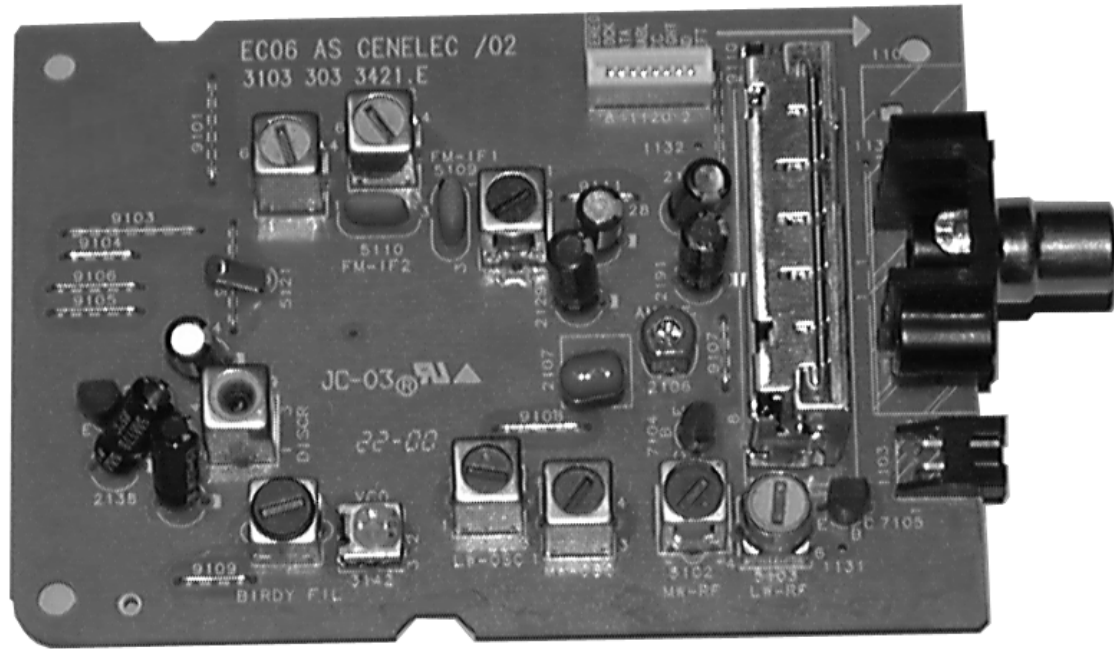
TRANSISTORS

7102	4822 130 42131	BF550	
7103	5322 130 42756	BC857C	RDS only
7111	5322 130 42755	BC847C	
7112	4822 130 44503	BC547C	

INTEGRATED CIRCUITS

7101	9351 740 80557	TEA5757H/V1, RADIO IC
------	----------------	-----------------------

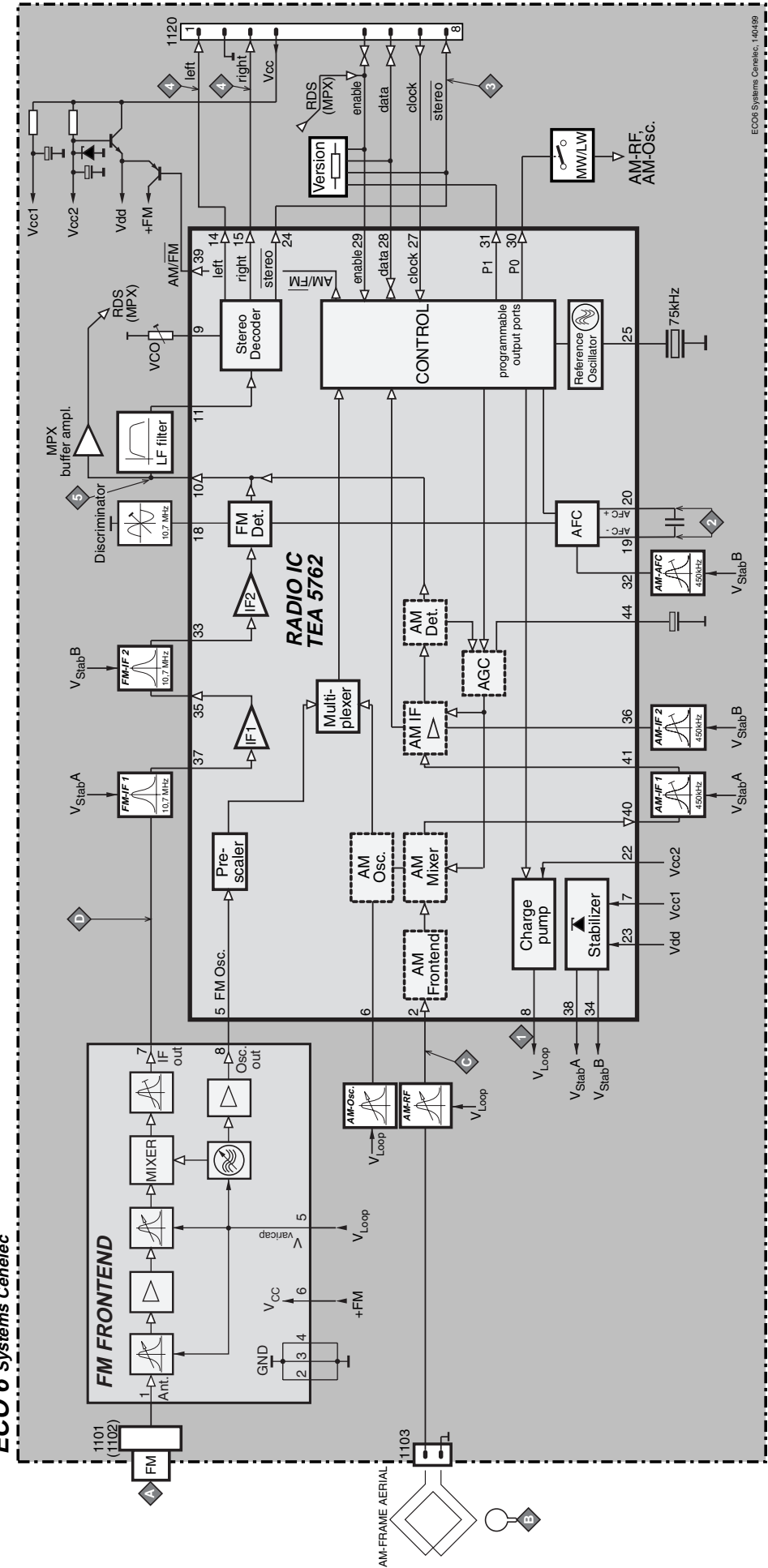
BLOCK DIAGRAM



ECO6 Tuner Board

version: **SYSTEMS CENELEC**

TUNER BOARD
ECO 6 Systems Cenelec

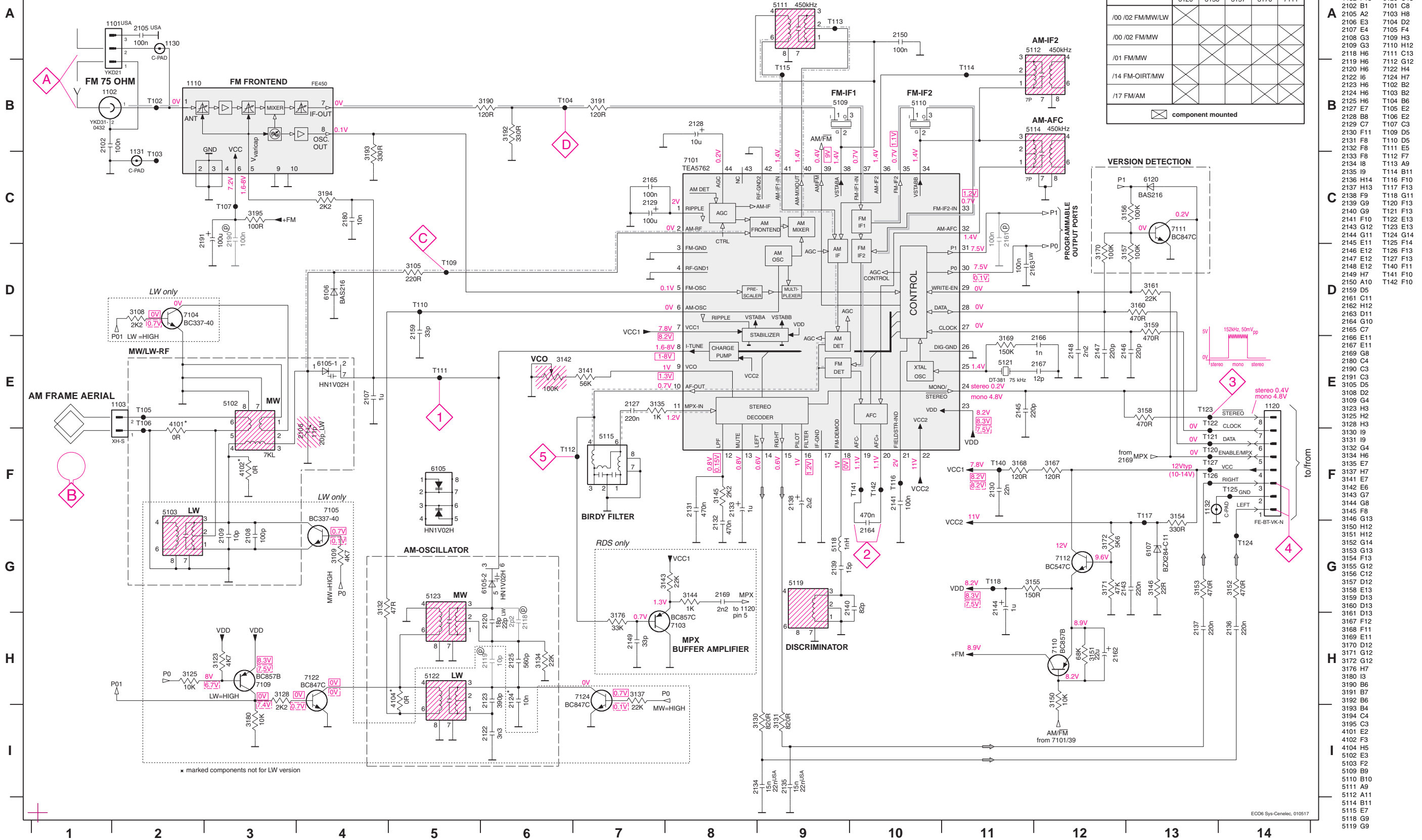


ECO6 Systems Cenelec, 140199

TABLE OF CONTENTS

Blockdiagram7B-1
 Schematic Diagram7B-2
 Component Layout7B-3
 Adjustment table7B-3
 Electrical Partslist7B-4

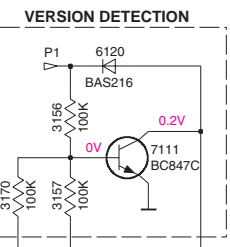
TUNER BOARD ECO6 / SYSTEMS-CENELEC



VERSION PROGRAMMING COMPONENTS

VERSION	6120	3156	3157	3170	7111
/00 /02 FMMW/LW					
/00 /02 FMMW					
/01 FM/MW					
/14 FM-OIRT/MW					
/17 FM/AM					

⊗ component mounted



- 1101 A2
- 1102 B1
- 1103 E2
- 1110 B2
- 1120 E14
- 1130 A2
- 1131 C2
- 1132 F13
- 2102 B1
- 2105 A2
- 2106 E3
- 2107 E4
- 2108 G3
- 2109 G3
- 2118 H6
- 2119 H6
- 2120 H6
- 2122 H6
- 2123 H6
- 2124 H6
- 2125 H6
- 2127 E7
- 2128 B8
- 2129 C7
- 2130 F11
- 2131 F8
- 2132 F8
- 2133 F8
- 2134 I8
- 2135 I9
- 2136 H14
- 2137 H13
- 2138 F9
- 2139 G9
- 2140 G9
- 2141 F10
- 2143 G12
- 2144 G11
- 2145 E11
- 2146 E11
- 2147 E12
- 2148 E12
- 2149 H7
- 2150 A10
- 2159 D5
- 2161 C11
- 2162 H12
- 2163 D11
- 2164 G10
- 2165 C7
- 2166 E11
- 2167 E11
- 2169 G8
- 2180 C4
- 2190 C3
- 2191 C3
- 3105 D5
- 3108 C2
- 3109 G4
- 3123 H3
- 3128 H3
- 3130 I9
- 3131 I9
- 3132 G4
- 3134 H6
- 3135 E7
- 3137 H7
- 3141 E7
- 3142 E6
- 3143 G7
- 3144 G8
- 3145 F8
- 3146 G13
- 3150 H12
- 3151 H12
- 3152 G14
- 3153 G13
- 3154 F13
- 3155 G12
- 3156 C12
- 3157 D12
- 3158 E13
- 3159 D13
- 3160 D13
- 3161 D13
- 3167 F12
- 3168 F11
- 3169 E11
- 3170 D12
- 3171 G12
- 3172 G12
- 3176 H7
- 3180 I3
- 3190 B6
- 3191 B7
- 3192 B6
- 3193 B4
- 3194 C4
- 3195 C3
- 4010 E2
- 4020 F3
- 4040 H5
- 5020 E3
- 5030 F2
- 5100 B9
- 5110 B10
- 5111 A9
- 5112 A11
- 5114 B11
- 5115 E7
- 5118 G9
- 5119 G9
- 5121 E11
- 5122 H5
- 5123 G5
- 6105-1 E4
- 6105-2 G6
- 6106 D4
- 6107 G13
- 6120 C13
- 7101 C8
- 7101 H8
- 7103 H8
- 7104 D2
- 7105 F4
- 7109 H3
- 7110 H12
- 7111 C13
- 7112 G12
- 7124 H4
- 7125 H7
- 7102 B2
- 7103 B2
- 7104 B6
- 7105 E2
- 7107 C3
- 7109 D5
- 7111 E5
- 7112 F7
- 7113 A9
- 7114 B11
- 7116 F10
- 7117 F13
- 7118 G11
- 7120 F13
- 7121 F13
- 7122 E13
- 7123 G13
- 7124 G14
- 7125 F14
- 7126 F13
- 7127 F13
- 7140 F11
- 7141 F10
- 7142 F11
- 7143 F11
- 7144 F11
- 7145 F11
- 7146 F11
- 7147 F11
- 7148 F11
- 7149 F11
- 7150 A10
- 7151 H12
- 7152 H12
- 7153 H12
- 7154 H12
- 7155 H12
- 7156 H12
- 7157 H12
- 7158 H12
- 7159 H12
- 7160 H12
- 7161 H12
- 7162 H12
- 7163 H12
- 7164 H12
- 7165 H12
- 7166 H12
- 7167 H12
- 7168 H12
- 7169 H12
- 7170 H12
- 7171 H12
- 7172 H12
- 7173 H12
- 7174 H12
- 7175 H12
- 7176 H12
- 7177 H12
- 7178 H12
- 7179 H12
- 7180 H12
- 7181 H12
- 7182 H12
- 7183 H12
- 7184 H12
- 7185 H12
- 7186 H12
- 7187 H12
- 7188 H12
- 7189 H12
- 7190 H12
- 7191 H12
- 7192 H12
- 7193 H12
- 7194 H12
- 7195 H12
- 7196 H12
- 7197 H12
- 7198 H12
- 7199 H12
- 7200 H12

LEGEND

* ... only assembled in FM/AM version
 Ⓧ ... for provision only
 USA ... for USA version only
 LW ... for LW version only

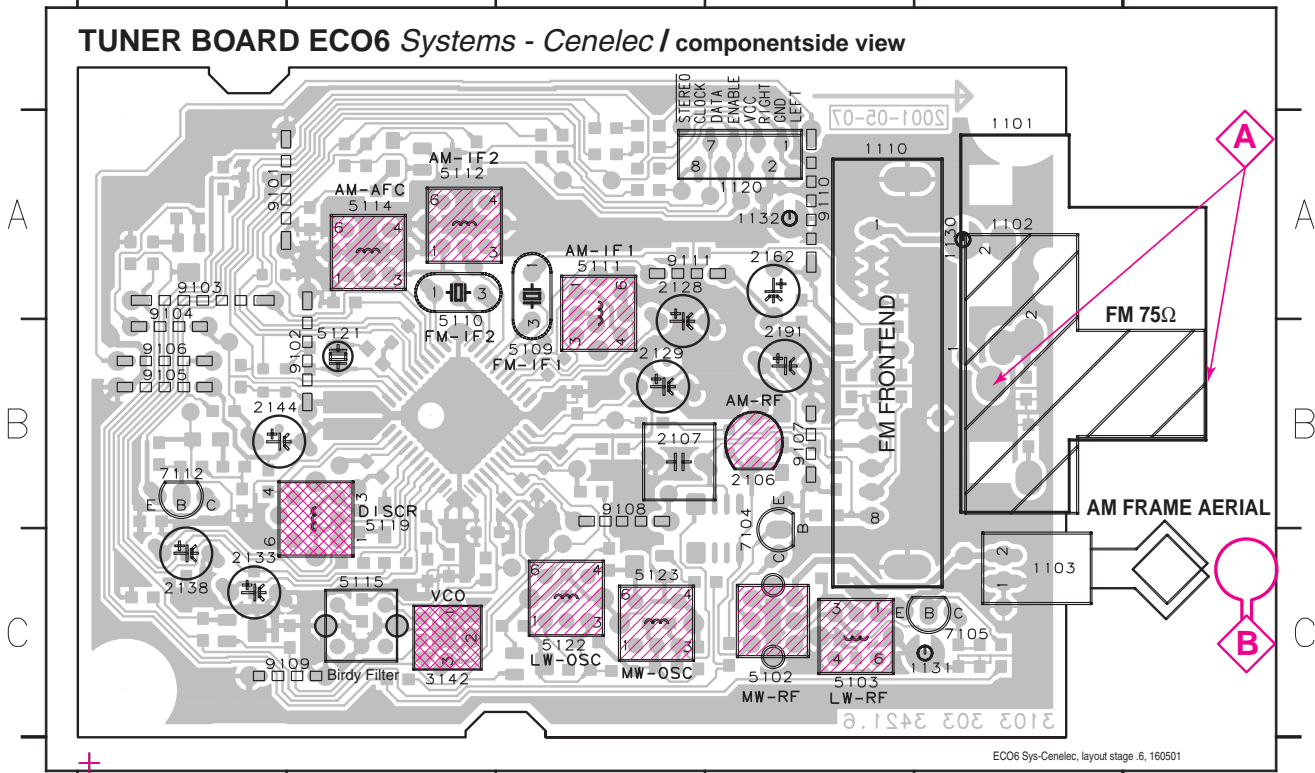


...V FM mode stereo
 ...V MW mode
 ...V LW mode
 voltages measured while set is tuned to a strong transmitter

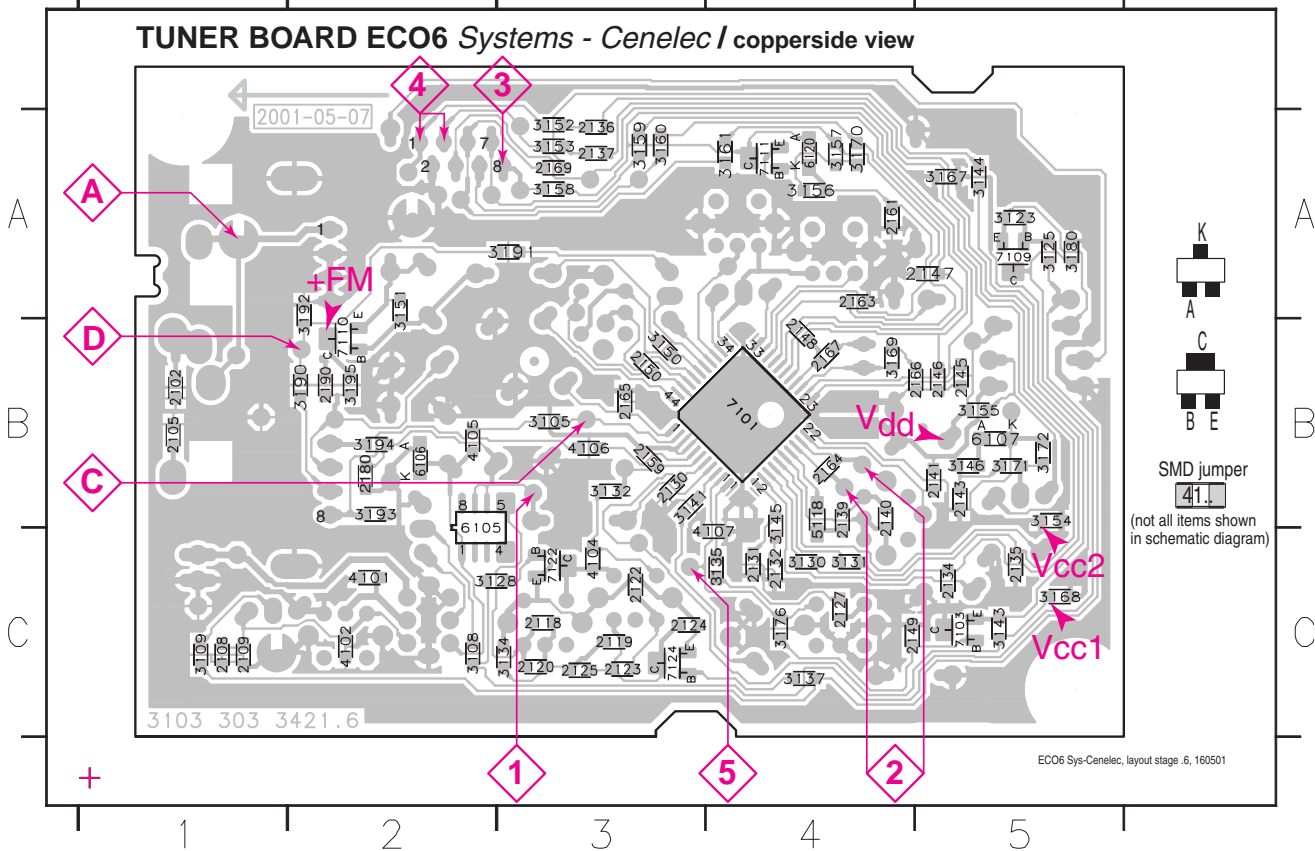
Signal path

— FM
 - - - AM
 - - - MPX (Audio Frequency)
 ⇄ AF - left/right

1101 B5 1110 B4 1131 C5 2107 B3 2133 C1 2162 A4 5102 C4 5110 A2 5114 A2 5121 B2 7104 C4 9101 A2 9104 B1 9107 B4 9110 A4
 1102 B5 1120 A4 1132 A4 2128 A3 2138 B1 2191 B4 5103 C4 5111 A3 5115 C2 5122 C3 7105 C5 9102 B2 9105 B1 9108 B3 9111 A3
 1103 C5 1130 A5 2106 B4 2129 B3 2144 B1 3142 C2 5109 B3 5112 A2 5119 B2 5123 C3 7112 B1 9103 A1 9106 B1 9109 C2



2102 B1 2120 C3 2130 B3 2137 A3 2146 B5 2161 A4 2169 A3 3123 A5 3134 C3 3145 C4 3154 B5 3160 A3 3171 B5 3192 A2 4104 C3 6106 B2 7110 B2
 2105 B1 2122 C3 2131 C4 2139 B4 2147 A5 2163 A4 2180 B2 3125 A5 3135 C4 3146 B5 3155 B5 3161 A4 3172 B5 3193 B2 4105 B2 6107 B5 7111 A4
 2108 C1 2123 C3 2132 C4 2140 B4 2148 B4 2164 B4 2190 B2 3128 C2 3137 C4 3150 B3 3156 A4 3167 A5 3176 C4 3194 B2 4106 B3 6120 A4 7122 C3
 2109 C1 2124 C3 2134 C5 2141 B5 2149 C4 2165 B3 3105 B3 3130 C4 3141 B3 3151 A2 3157 A4 3168 C5 3180 A5 3195 B2 4107 C4 7101 B4 7124 C3
 2118 C3 2125 C3 2135 C5 2143 B5 2150 B3 2166 B5 3108 C2 3131 C4 3143 C5 3152 A3 3158 A3 3169 B4 3190 B2 4101 C2 5118 C4 7103 C5
 2119 C3 2127 C4 2136 A3 2145 B5 2159 B3 2167 B4 3109 C1 3132 B3 3144 A5 3153 A3 3159 A3 3170 A4 3191 A3 4102 C2 6105 B2 7109 A5



These assembly drawings show a summary of all possible versions.
 For components used in a specific version see schematic diagram respectively partslist.

TUNER ADJUSTMENT TABLE (ECO6 Cenelec FM/MW - and FM/MW/LW - versions with AM-frame aerial)

Waverange	Input frequency	Input	Tuned to	Adjust	Output	Scope/Voltmeter
VARICAP ALIGNMENT						
FM 87.5 - 108MHz (50kHz grid)			108MHz	check		8V ±1.2V
			87.5MHz	check		1.6V ±0.5V
MW 531 - 1602kHz (9kHz grid)			1602kHz	5123	1	8V ±0.2V 3-band 6.9V ±0.2V 2-band
			531kHz	check		
LW 153 - 279kHz (3kHz grid)			279kHz	5122		8V ±0.2V
			153kHz	check		1.1V ±0.4V
FM - IF						
FM	10.7MHz, 45mV continuous wave	D		5119	2	0mV ±3mV
FM - VCO						
FM	98MHz, 1mV continuous wave	A	98MHz	3142	3	152kHz ±1kHz ¹⁾
FM RF (channel separation) Note: The FM-frontend unit has already been adjusted by the factory and needs therefore no further adjustments for service purposes.						
FM	98MHz, 1mV 90% Left + 9% pilot mod=1kHz	A	98MHz	IF coil inside FM frontend 1110	4	right channel min.
AM IF						
MW	450kHz connect pin 6 of IC 7101 (AM Osc.) with 3.3kΩ to Vcc	C $\Delta f = \pm 10\text{kHz}$ $V_{RF} = 0.5\text{mV}$ (as low as possible)		5111	5	
				5112		
AM AFC MW		C continuous wave $V_{RF} = 2\text{mV}$		5114	2	0mV ±2mV
AM RF³⁾						
MW	1494kHz	B	1494kHz	2106	5	
	558kHz					
LW	198kHz	$\Delta f = \pm 30\text{kHz}$ V_{RF} as low as possible	198kHz	5103		

Use Service Testprogram. By selecting the TUNER TEST test frequencies will be stored as preset frequencies automatically.

1) If sensitivity of frequency counter is too low adjust to max. channel separation
 (input signal: stereo left 90% + 9%, adjust output on right channel to minimum)

2) RC network serves for damping the IF-filter while adjusting the other one.

3) For AM RF adjustments the original frame antenna has to be used!
 MW has to be aligned before LW.

↑ Repeat

MISCELLANEOUS

1101	2422 015 19376	SOCKET CLICKFIT 2P	USA only
1102	4822 267 10283	SOCKET COAX, IEC 75Ω	not USA
1103	4822 265 31184	JST CONNECTOR, 2 POLE	
1110	2422 542 90071	FM FRONTEND	
1120	4822 265 11515	FFC SOCKET, 8P	

CAPACITORS

2102	4822 126 13838	100nF	10%	50V	not USA
2105	4822 126 13838	100nF	10%	50V	USA only
2106	2020 800 00204	TRIMCAP. 4,2 - 20pF, N750			LW only
2106	2020 800 00191	TRIMCAP. 3 - 11pF, N450			FM/AM only
2107	4822 121 51319	1μF	20%	50V	
2108	5322 122 32531	100pF	5%	50V	LW only
2109	5322 122 32448	10pF	5%	50V	LW only
2120	4822 126 13689	18pF	1%	63V	FM/AM only
2120	5322 122 32658	22pF	5%	50V	LW only
2122	4822 122 33891	3,3nF	10%	63V	LW only
2123	2020 552 93494	390pF	1%	50V	LW only
2124	4822 122 33177	10nF	20%	50V	FM/AM only
2125	2020 552 96199	560pF	1%	50V	
2127	4822 126 14076	220nF	20%	25V	
2128	4822 124 40248	10μF	20%	63V	
2129	4822 124 41584	100μF	20%	10V	
2130	5322 122 32654	22nF	10%	63V	
2131	4822 126 13482	470nF	20%	16V	
2132	4822 126 13482	470nF	20%	16V	
2133	4822 124 21913	1μF	20%	63V	
2134	3198 017 31530	15nF	10%	50V	not USA
2134	5322 122 32654	22nF	10%	63V	USA only
2135	3198 017 31530	15nF	10%	50V	not USA
2135	3198 017 32230	22nF	10%	25V	USA only
2136	4822 126 14076	220nF	20%	25V	
2137	4822 126 14076	220nF	20%	25V	
2138	4822 124 22652	2,2μF	20%	50V	
2139	4822 126 14236	15pF	5%	50V	
2140	4822 126 13695	82pF	1%	63V	
2141	4822 126 13838	100nF	10%	50V	
2143	4822 126 14076	220nF	20%	25V	
2144	4822 124 21913	1μF	20%	63V	
2145	4822 122 33575	220pF	5%	50V	
2146	4822 122 33575	220pF	5%	50V	
2147	4822 122 33575	220pF	5%	50V	
2148	4822 122 33127	2,2nF	10%	63V	
2149	5322 122 32659	33pF	5%	50V	RDS only
2150	4822 126 13838	100nF	10%	50V	
2159	5322 122 31151	22μF	20%	50V	
2163	4822 126 13838	100nF	10%	50V	LW only
2164	4822 126 13482	470nF	20%	16V	
2165	4822 126 13838	100nF	10%	50V	
2166	5322 122 31647	1nF	10%	63V	
2167	4822 122 33926	12pF	5%	50V	
2169	4822 122 33127	2,2nF	10%	63V	RDS only
2180	3198 017 31030	10nF	10%	50V	
2190	4822 126 13838	100nF	10%	50V	
2191	4822 124 40178	100μF	20%	10V	

RESISTORS

3105	4822 117 11503	220Ω	5%	0,1W	
3108	4822 117 11449	2,2kΩ	1%	0,1W	LW only
3109	4822 051 20472	4,7kΩ	5%	0,1W	LW only
3123	4822 051 20472	4,7kΩ	5%	0,1W	LW only
3125	4822 117 10833	10kΩ	1%	0,1W	LW only

RESISTORS

3128	4822 117 11449	2,2kΩ	1%	0,1W	LW only
3130	3198 021 38210	820Ω	5%	0,06W	
3131	3198 021 38210	820Ω	5%	0,06W	
3132	4822 051 20479	47Ω	5%	0,1W	
3134	4822 051 20223	22kΩ	5%	0,1W	
3135	3198 021 31020	1kΩ	5%	0,06W	
3137	4822 051 20223	22kΩ	5%	0,1W	LW only
3141	4822 117 11148	56kΩ	1%	0,1W	
3142	4822 100 12159	TRIMPOT. 100kΩ			
3143	4822 051 20223	22kΩ	5%	0,1W	RDS only
3144	4822 051 10102	1kΩ	2%	0,25W	RDS only
3145	4822 117 11449	2,2kΩ	1%	0,1W	
3146	4822 051 20229	22Ω	5%	0,1W	
3150	4822 117 10833	10kΩ	1%	0,1W	
3151	4822 051 20683	68kΩ	5%	0,1W	
3152	4822 051 20471	470Ω	5%	0,1W	
3153	4822 051 20471	470Ω	5%	0,1W	
3154	4822 117 13577	330Ω	1%	0,1W	
3155	4822 117 10353	150Ω	5%	0,1W	
3156	4822 117 10837	100kΩ	1%	0,1W	
3157	4822 117 10837	100kΩ	1%	0,1W	
3158	4822 051 20471	470Ω	5%	0,1W	
3159	4822 051 20471	470Ω	5%	0,1W	
3160	4822 051 20471	470Ω	5%	0,1W	
3161	4822 051 20223	22kΩ	5%	0,1W	
3167	4822 051 20121	120Ω	5%	0,1W	
3168	4822 051 20121	120Ω	5%	0,1W	
3169	4822 051 20154	150kΩ	5%	0,1W	
3170	4822 117 10837	100kΩ	1%	0,1W	
3171	4822 117 10834	47kΩ	1%	0,1W	
3172	4822 051 20562	5,6kΩ	5%	0,1W	
3176	4822 051 20333	33kΩ	5%	0,1W	RDS only
3180	4822 117 10833	10kΩ	1%	0,1W	LW only
3190	4822 051 20121	120Ω	5%	0,1W	
3191	4822 051 20121	120Ω	5%	0,1W	
3192	4822 117 13577	330Ω	1%	0,1W	
3193	4822 117 13577	330Ω	1%	0,1W	
3194	4822 117 11449	2,2kΩ	1%	0,1W	
3195	4822 051 20101	100Ω	5%	0,1W	
4101	4822 051 20008	CHIP JUMPER 0805			FM/AM only
4102	4822 051 20008	CHIP JUMPER 0805			FM/AM only
4104	4822 051 20008	CHIP JUMPER 0805			FM/AM only
4105	4822 051 20008	CHIP JUMPER 0805			
4106	4822 051 20008	CHIP JUMPER 0805			
4107	4822 051 20008	CHIP JUMPER 0805			
5102	4822 157 71634	RF-COIL MW			
5103	2422 549 44107	RF-COIL LW			LW only
5109	4822 157 71639	FM-IF FILTER 10,7MHz			
5110	4822 242 70665	FM-IF FILTER 10,7MHz			
5111	2422 549 44023	AM-IF FILTER 450kHz			
5112	4822 157 70302	AM-IF FILTER 450kHz			
5114	4822 157 70302	AM-IF FILTER 450kHz			
5115	4822 157 71636	ANTI BIRDY FILTER			
5118	2422 535 95881	100nH			
5119	4822 157 11443	DISCRIMINATOR COIL			
5121	4822 242 10261	QUARTZ 75kHz			
5122	2422 549 44108	RF-COIL, LW-OSCILLATOR			LW only
5123	2422 549 44108	RF-COIL, MW-OSCILLATOR			

COILS

DIODES

6105	4822 130 83075	HN1V02H	
6106	4822 130 83757	BAS216	
6107	9340 386 90115	BZX284-C11	
6120	4822 130 83757	BAS216	

TRANSISTORS

7103	5322 130 42756	BC857C	RDS only
7104	9322 003 64676	TBC337-40	LW only
7105	9322 003 64676	TBC337-40	LW only
7109	4822 130 60373	BC856B	LW only
7110	4822 130 60373	BC856B	
7111	5322 130 42755	BC847C	
7112	4822 130 44503	BC547C	
7122	5322 130 42755	BC847C	LW only
7124	5322 130 42755	BC847C	LW only

INTEGRATED CIRCUITS

7101	4822 209 90315	TEA5762H/V1, RADIO IC	
------	----------------	-----------------------	--

SUPPLY & MAIN BOARDS

TABLE OF CONTENTS

Brief Introduction	8-1
Supply Board - Component layout	8-2
Supply Board - Circuit diagram	8-3
Main Board - Circuit diagram	8-4
Main Board - Component layout	8-5
Electrical parts list	8-5

Brief introduction of the Supply & Main Boards

Supply Board

The purpose of the Supply Board is to provide the rectified voltages for the other modules used in LX7000SA or LX8000SA with the exception of the Power Amplifier Module that has its own rectified supply circuitry onboard. The Supply Board provides outputs +12V, +5V6, +5V and +3V3 supply voltages.

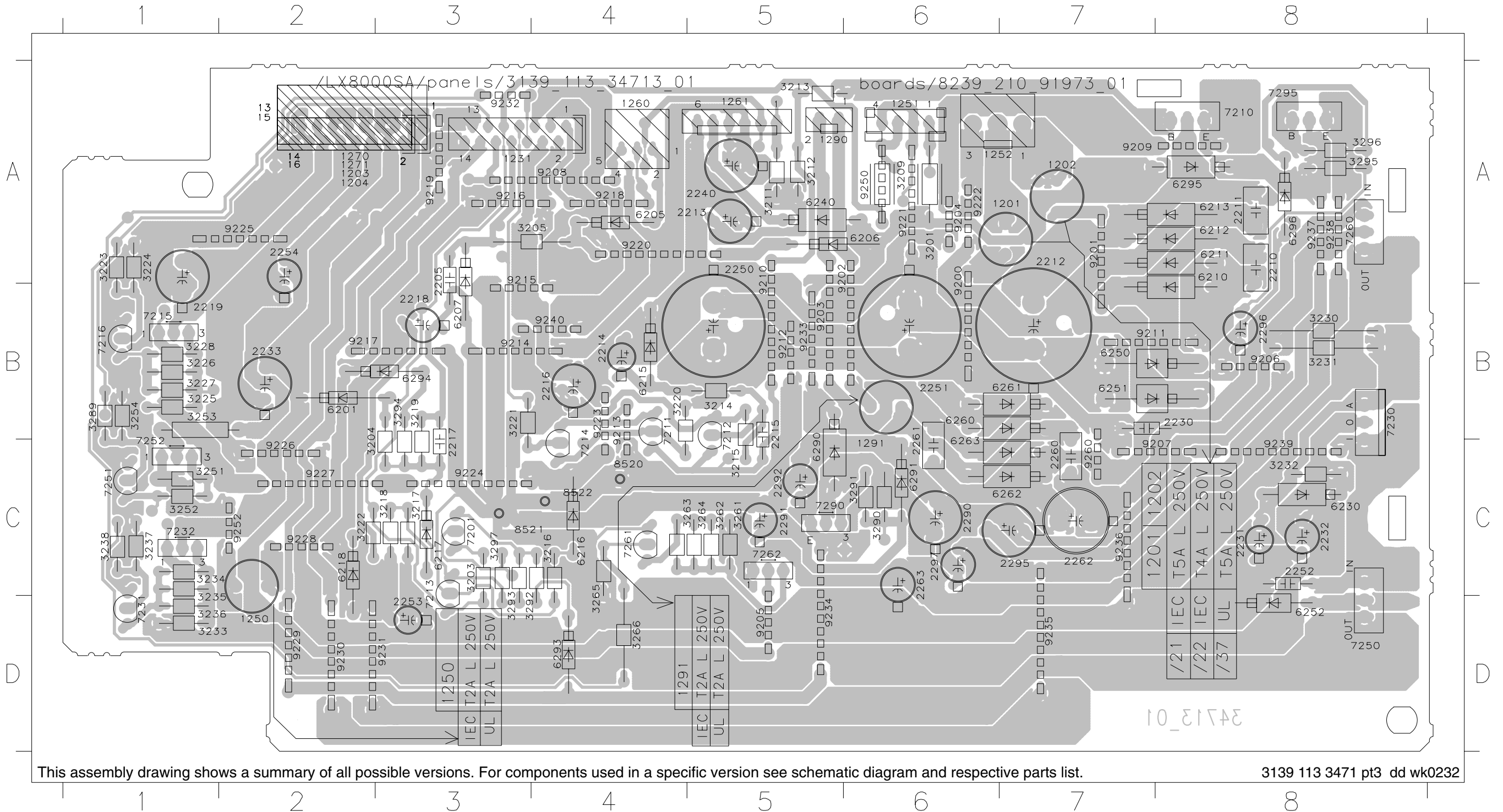
Main Board

The purpose of the Main Board is to provide a means of electrical connection between the mains supply and the transformer. The electronic Low Power Standby (LPS) circuit is also on the Main Board.

- a. Low Power Standby (LPS)
Standby Transformer (5905) provides the LPS supply to control the relay (1910), cutting of the mains supply to the transformer during the ECO Power (standby) mode.
- b. Voltage Selector (For /21 version)
The Voltage Selector (1911) and addition connector (1909) provide a means of switching to different mains supply voltages with the use of a /21 version transformer.

SUPPLY BOARD - COMPONENT LAYOUT

1201 A7	1290 A5	2219 B1	2261 C6	3205 A4	3221 B3	3234 C1	3264 C5	6201 B2	6230 C8	6294 B3	7231 D1	8522 C4	9211 B7	9223 B4	9235 D7
1202 A7	1291 C6	2230 B8	2262 C7	3209 A6	3222 C2	3235 D1	3265 D4	6205 A4	6240 A5	6295 A8	7232 C1	9200 A6	9212 B5	9224 C3	9236 C7
1203 A2	2205 A3	2231 C8	2263 C6	3211 A5	3223 A1	3236 D1	3266 D4	6206 A6	6250 B7	6296 A8	7250 D8	9201 A7	9213 B4	9225 A2	9237 A8
1204 A2	2210 A8	2232 C8	2290 C6	3212 A5	3224 A1	3237 C1	3268 B1	6207 B3	6251 B7	7201 C3	7251 C1	9202 A5	9214 B3	9226 C2	9238 A8
1231 A3	2211 A8	2233 B2	2291 C5	3213 A5	3225 B1	3238 C1	3289 C6	6210 A8	6252 D8	7210 A8	7252 C1	9203 B5	9215 A3	9227 C2	9239 C8
1250 D2	2212 A7	2240 A5	2292 C5	3214 B5	3226 B1	3251 C1	3291 C6	6211 A8	6260 B6	7211 B4	7260 A8	9204 A6	9216 A3	9228 C2	9240 B4
1251 A6	2213 A5	2250 A5	2295 C7	3215 C5	3227 B1	3252 C1	3292 D3	6212 A8	6261 B7	7212 B5	7261 C4	9205 D5	9217 B2	9229 D2	9250 A6
1252 A6	2214 B4	2251 B6	2296 B8	3216 C4	3228 B1	3253 B1	3293 D3	6213 A8	6262 C7	7213 C3	7262 C5	9206 B8	9218 A4	9230 D2	9252 C2
1260 A4	2215 B5	2252 C8	2297 C6	3217 C3	3230 B8	3254 B1	3294 B3	6215 B4	6263 C6	7214 C4	7290 C5	9207 C8	9219 A3	9231 D3	9260 C7
1261 A5	2216 B4	2253 D3	3201 A6	3218 C3	3231 B8	3261 C5	3295 A8	6216 C4	6290 C5	7215 B1	7295 A8	9208 A4	9220 A4	9232 A3	
1270 A2	2217 C3	2254 A2	3203 C3	3219 B3	3232 C8	3262 C5	3296 A8	6217 C3	6291 C6	7216 B1	8520 C4	9209 A7	9221 A6	9233 B5	
1271 A2	2218 B3	2260 C7	3204 C2	3220 B4	3233 D1	3263 C4	3297 C3	6218 C2	6293 D4	7230 B8	8521 C3	9210 A5	9222 A6	9234 D5	

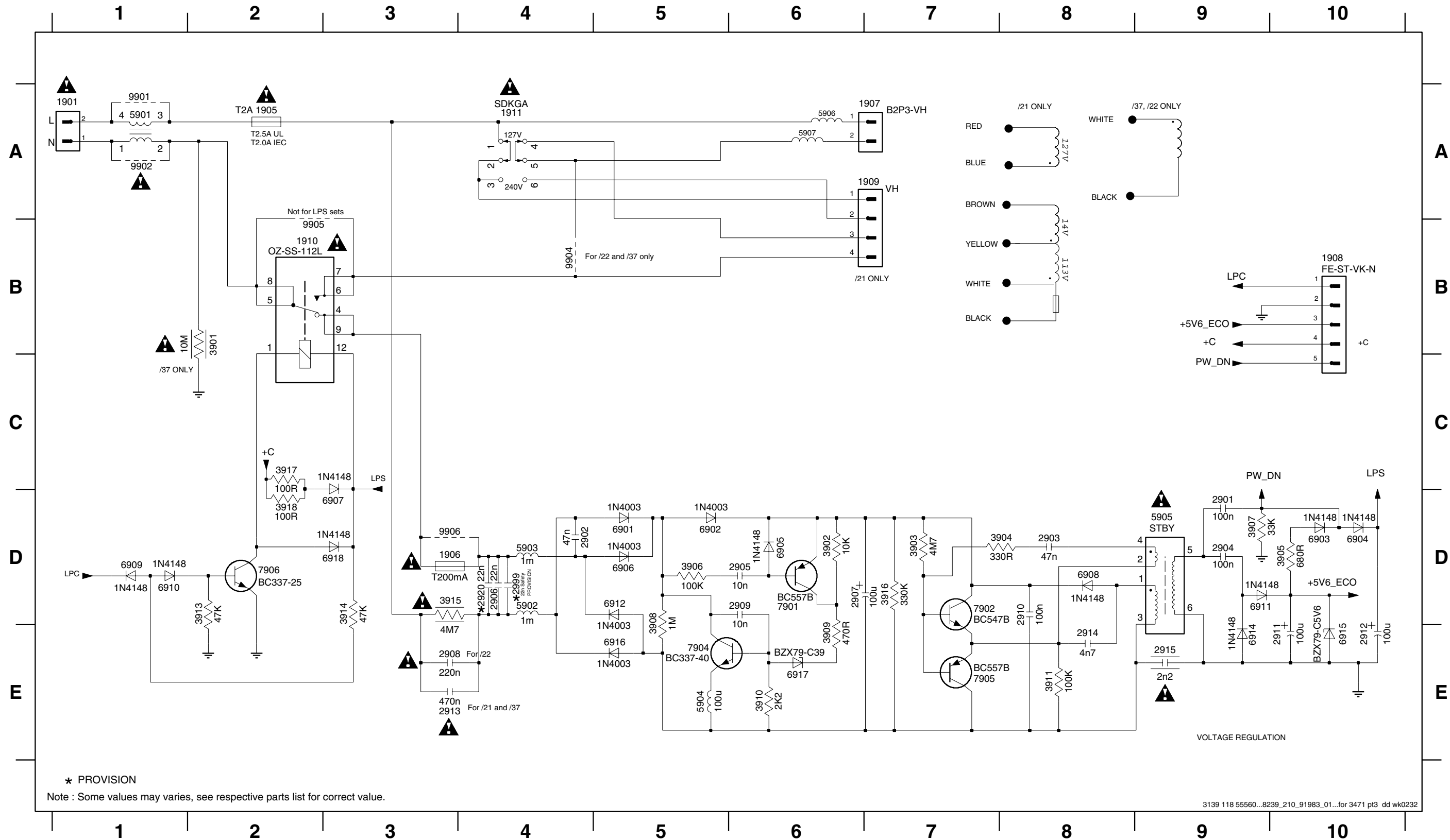


This assembly drawing shows a summary of all possible versions. For components used in a specific version see schematic diagram and respective parts list.

3139 113 3471 pt3 dd wk0232

MAIN BOARD - CIRCUIT DIAGRAM

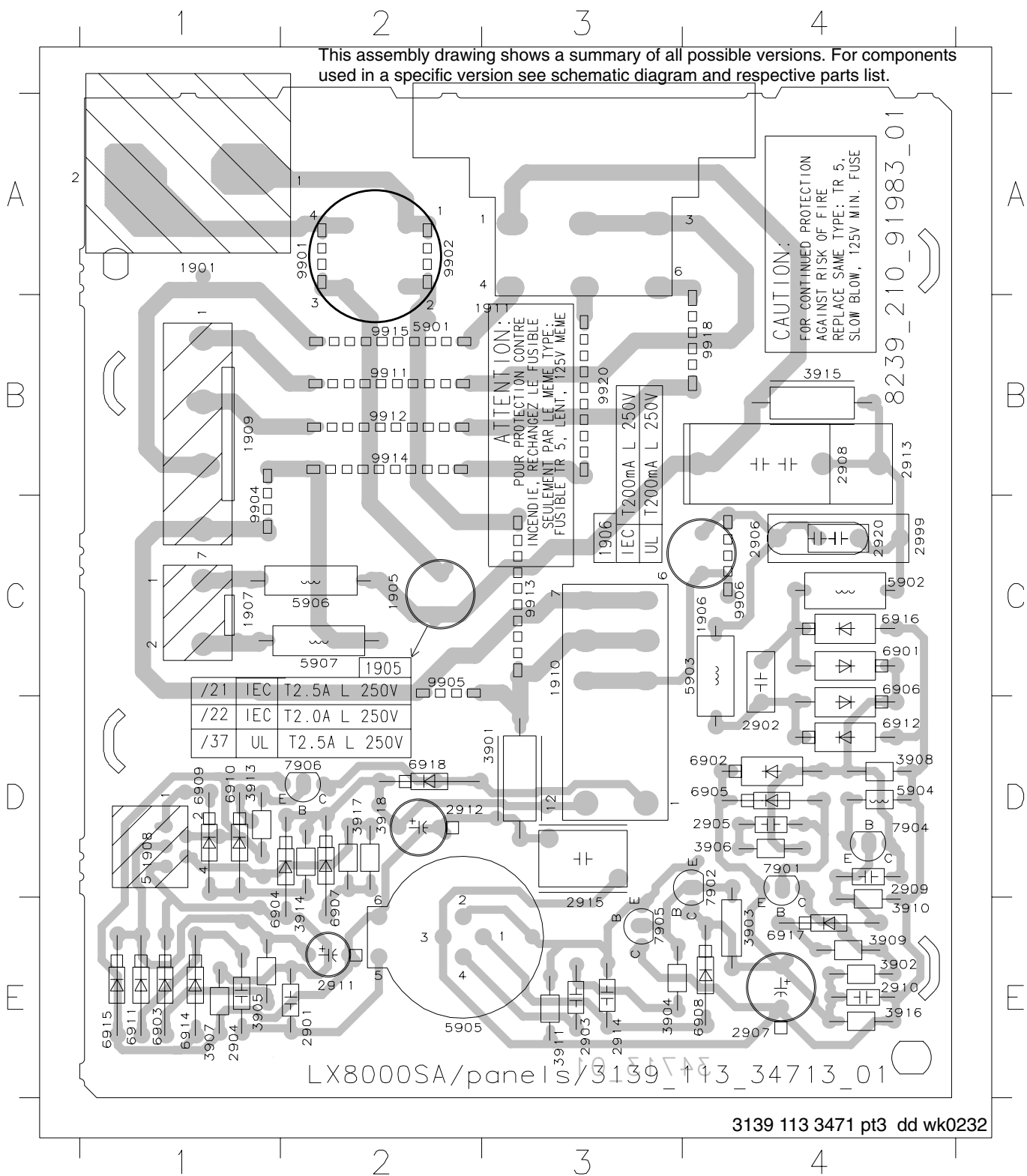
1901 A1	1908 B10	2901 D9	2905 D6	2909 D6	2913 E3	2999 D4	3904 D8	3908 D5	3913 D2	3917 C2	5903 D4	5907 A6	6904 D10	6908 D8	6912 D5	6917 E6	7904 E5	9902 A1
1905 A2	1909 A6	2902 D4	2906 D4	2910 D8	2914 E8	3901 B2	3905 D10	3909 E6	3914 D3	3918 D2	5904 E5	6901 D5	6905 D6	6909 D1	6914 E9	6918 D3	7905 E7	9904 B4
1906 D3	1910 B2	2903 D8	2907 D6	2911 E10	2915 E9	3902 D6	3906 D5	3910 E6	3915 D3	5901 A1	5905 D9	6902 D5	6906 D5	6910 D1	6915 E10	7901 D6	7906 D2	9905 B2
1907 A6	1911 A4	2904 D9	2908 E3	2912 E10	2920 D4	3903 D7	3907 D9	3911 E8	3916 D7	5902 D4	5906 A6	6903 D10	6907 D3	6911 D9	6916 E5	7902 D7	9901 A1	9906 D3



* PROVISION
 Note : Some values may varies, see respective parts list for correct value.

MAIN BOARD - COMPONENT LAYOUT

1901	A1	2903	E3	2913	B4	3906	D4	3917	D2	6902	D4	6912	D4	7906	D2	9915	B2
1905	C2	2904	E1	2914	E3	3907	E1	3918	D2	6903	E1	6914	E1	9901	A2	9918	B4
1906	C4	2905	D4	2915	E3	3908	D4	5901	B2	6904	E1	6915	E1	9902	A2	9920	B3
1907	C1	2906	C4	2920	C4	3909	E4	5902	C4	6905	D4	6916	C4	9904	C1		
1908	D1	2907	F4	2999	C4	3910	E4	5903	C4	6906	C4	6917	F4	9905	C2		
1909	B1	2908	B4	3901	D3	3911	E3	5904	D4	6907	E2	6918	D2	9906	C4		
1910	C3	2909	D4	3902	E4	3913	D1	5905	E2	6908	E4	7901	D4	9911	B2		
1911	B3	2910	F4	3903	E4	3914	E2	5906	C2	6909	D1	7902	D4	9912	B2		
2901	E2	2911	E2	3904	E3	3915	B4	5907	C2	6910	D1	7904	D4	9913	C3		
2902	D4	2912	D2	3905	E1	3916	E4	6901	C4	6911	E1	7905	E3	9914	B2		



ELECTRICAL PARTS LIST - SUPPLY & MAIN BOARDS

MISCELLANEOUS

0012	4822 492 11735	SPRING TRANS	2297	4822 124 81151	22uF 50V
1201	4822 071 55002	△ Fuse RAD LT 5A 250V	2901	2020 561 90365	100nF +80/-20% 50V
1201	9965 000 07786	△ Fuse RAD LT 4A 250V /22S	2902	4822 121 43526	47nF 5% 250V
1202	4822 071 55002	△ Fuse RAD LT 5A 250V	2903	4822 126 12785	47nF 50V
1202	9965 000 07786	△ Fuse RAD LT 4A 250V /22S	2904	2020 561 90365	100nF +80/-20% 50V
1231	4822 267 51255	Flex Connector 14P	2905	4822 121 51387	10nF 20% 16V
1250	9965 000 07788	△ FUSE RAD LT 2A 250V	2906	4822 121 40516	22nF 10% 250V
1260	4822 267 10958	Flex Connector 5P	2907	4822 124 40255	100uF 20% 63V
1270	4822 267 51255	Flex Connector 14P /22S	2908	4822 121 10512	△ 220nF 20% 275V /22S
1271	2422 025 14526	Flex Connector 16P/21R/37S	2909	4822 121 51387	10nF 20% 16V
1901	4822 265 31015	△ Mains Socket	2910	2020 561 90365	100nF +80/-20% 50V
1901	2422 030 00328	△ Mains Socket /37S	2911	4822 124 41584	100uF 20% 10V
1905	4822 071 52502	△ Fuse RAD LT 2,5A 250V /21R	2912	4822 124 41643	100uF 20% 16V
1905	9965 000 07788	△ Fuse RAD LT 2A 250V /22S	2913	4822 126 13589	△ 470nF 275V /21R/37S
1905	4822 253 50137	△ Fuse RAD LT 2,5A 250V /37S	2914	4822 126 11714	4,7nF 20%
1906	4822 071 52001	△ Fuse RAD LT 200mA 250V	2915	4822 126 14088	△ 2,2nF 20% 250V
1906	4822 252 51167	△ Fuse RAD LT200mA250V/37S			
1907	4822 265 20723	Connector 2P VH			
1908	4822 267 10958	Flex Connector 5P			
1909	4822 267 10728	Connector 4P VH /21R			
1910	2422 132 07519	△ Relay 1P 12V 16A OZ-SS L			
1911	2422 129 16478	△ Voltage Selector 2P 5A /21R			

RESISTORS

3201	4822 052 10228	△ 2R2 5% 0,33W			
3201	4822 052 10478	△ 4R7 5% 0,33W /22S			
3203	4822 116 52269	3k3 5% 0,5W			
3204	4822 050 21003	10k 1% 0,6W			
3205	4822 116 52283	4k7 5% 0,5W			
3209	4822 052 10108	△ 1R 5% 0,33W			
3211	4822 116 52256	2k2 5% 0,5W			
3212	4822 116 52256	2k2 5% 0,5W			
3213	4822 116 83883	470R 5% 0,5W			
3214	4822 116 52206	120R 5% 0,5W			
3215	4822 116 52206	120R 5% 0,5W			
3216	4822 050 21003	10k 1% 0,6W			
3217	4822 050 11002	1k 1% 0,4W			
3218	4822 116 52238	12k 5% 0,5W			
3219	4822 116 52234	100k 5% 0,5W			
3220	4822 050 21003	10k 1% 0,6W			
3221	4822 116 52257	22k 5% 0,5W			
3222	4822 116 52228	680R 5% 0,5W			
3223	4822 116 52238	12k 5% 0,5W			
3224	4822 116 83884	47k 5% 0,5W			
3225	4822 116 83961	6k8 5%			
3226	4822 116 52207	1k2 5% 0,5W			
3227	4822 116 52207	1k2 5% 0,5W			
3228	4822 116 52207	1k2 5% 0,5W			
3230	4822 116 52276	3k9 5% 0,5W			
3231	4822 116 52276	3k9 5% 0,5W			
3232	4822 050 11002	1k 1% 0,4W			
3233	4822 116 83961	6k8 5%			
3234	4822 116 83881	390R 5% 0,5W			
3235	4822 116 83881	390R 5% 0,5W			
3236	4822 116 83881	390R 5% 0,5W			
3237	4822 116 83884	47k 5% 0,5W			
3238	4822 116 52238	12k 5% 0,5W			
3251	4822 116 52289	5k6 5% 0,5W			

CAPACITORS

2205	4822 126 12785	47nF 50V
2210	5322 121 42578	100nF 5% 250V
2211	5322 121 42578	100nF 5% 250V
2212	4822 124 80563	4700uF 20% 35V
2213	4822 124 40207	100uF 20% 25V
2214	4822 124 40769	4,7uF 20% 100V
2215	4822 122 10577	3,3nF 10% 16V
2216	4822 124 40433	47uF 20% 25V
2217	4822 121 51387	10nF 20% 16V
2218	4822 124 41584	100uF 20% 10V
2219	4822 124 80791	470uF 16V 20%
2230	2020 561 90365	100nF +80/-20% 50V
2231	4822 124 40248	10uF 20% 63V
2232	4822 124 21913	1uF 20% 63V
2233	4822 124 80195	470uF 20% 10V
2240	4822 124 40255	100uF 20% 63V
2250	2020 012 93745	10000uF 20% 16V
2251	2020 012 93745	10000uF 20% 16V
2252	2020 561 90365	100nF +80/-20% 50V
2253	4822 124 40248	10uF 20% 63V
2254	4822 124 21913	1uF 20% 63V
2262	4822 124 81144	1000uF 16V /21R/37S
2263	4822 124 21913	1uF 20% 63V /21R/37S
2290	4822 124 40255	100uF 20% 63V
2291	4822 124 41584	100uF 20% 10V
2292	4822 124 81151	22uF 50V
2295	4822 124 40255	100uF 20% 63V
2296	4822 124 41584	100uF 20% 10V

ELECTRICAL PARTS LIST - SUPPLY & MAIN BOARDS**RESISTORS**

3252	4822 116 52231	820R 5% 0,5W
3253	2322 193 14227	△ RST MFLM PR01 0R22 PM5
3254	4822 116 83884	47k 5% 0,5W
3261	4822 116 83961	6k8 5% /21R/37S
3262	4822 116 83881	390R 5% 0,5W /21R/37S
3263	4822 116 83881	390R 5% 0,5W /21R/37S
3264	4822 116 83881	390R 5% 0,5W /21R/37S
3265	4822 116 83884	47k 5% 0,5W /21R/37S
3266	4822 116 52238	12k 5% 0,5W /21R/37S
3289	4822 116 52238	12k 5% 0,5W
3290	4822 116 52303	8k2 5% 0,5W
3291	4822 116 83883	470R 5% 0,5W
3292	4822 050 11002	1k 1% 0,4W
3293	4822 116 52283	4k7 5% 0,5W
3294	4822 050 21003	10k 1% 0,6W
3295	4822 116 52303	8k2 5% 0,5W
3296	4822 116 83883	470R 5% 0,5W
3297	4822 050 21003	10k 1% 0,6W
3901	4822 053 21106	△ 10M 5% 0,5W /37S
3902	4822 050 21003	10k 1% 0,6W
3903	4822 050 24705	4M7 1% 0,6W
3904	4822 116 52219	330R 5% 0,5W
3905	4822 116 52228	680R 5% 0,5W
3906	4822 116 52234	100k 5% 0,5W
3907	4822 050 23303	33k 1% 0,6W
3908	4822 116 83866	1M 5% 0,5W
3909	4822 116 83883	470R 5% 0,5W
3910	4822 116 52256	2k2 5% 0,5W
3911	4822 116 52234	100k 5% 0,5W
3913	4822 116 83884	47k 5% 0,5W
3914	4822 116 83884	47k 5% 0,5W
3915	4822 053 20475	△ 4M7 5% 0,25W
3916	4822 116 52272	330k 5% 0,5W
3917	4822 116 52175	100R 5% 0,5W
3918	4822 116 52175	100R 5% 0,5W

COILS & FILTERS

5901	4822 157 11832	△ FIL MAINS 400uH
5902	4822 157 53473	Coil 1000uH 10%
5903	4822 157 53473	Coil 1000uH 10%
5904	4822 157 11228	Coil 100uH 5%
5905	2422 549 45157	△ Standby Transformer 3A1631N
5906	4822 157 11411	FXD IND BEAD 100MHz 80R
5907	4822 157 11411	FXD IND BEAD 100MHz 80R

DIODES

6201	4822 130 34173	BZX79-C5V6
6205	4822 130 30621	1N4148
6206	4822 130 30621	1N4148
6207	4822 130 34382	BZX79-C8V2
6210	4822 130 31878	1N4003G
6210	5322 130 80686	1N5392

6211	4822 130 31878	1N4003G
6211	5322 130 80686	1N5392
6212	4822 130 31878	1N4003G
6212	5322 130 80686	1N5392
6213	4822 130 31878	1N4003G
6213	5322 130 80686	1N5392
6215	4822 130 34488	BZX79-B11
6216	4822 130 34281	BZX79-C15
6217	4822 130 30621	1N4148
6218	4822 130 30621	1N4148
6230	4822 130 31878	1N4003G
6240	4822 130 31878	1N4003G
6250	9340 550 66112	BYV28-200/24
6251	9340 550 66112	BYV28-200/24
6252	4822 130 31878	1N4003G
6290	4822 130 31878	1N4003G
6291	4822 130 34173	BZX79-C5V6
6293	4822 130 34173	BZX79-C5V6
6294	4822 130 34278	BZX79-C6V8
6295	4822 130 31878	1N4003G
6296	4822 130 34173	BZX79-C5V6
6901	4822 130 31878	1N4003G
6902	4822 130 31878	1N4003G
6903	4822 130 30621	1N4148
6904	4822 130 30621	1N4148
6905	4822 130 30621	1N4148
6906	4822 130 31878	1N4003G
6907	4822 130 30621	1N4148
6908	4822 130 30621	1N4148
6909	4822 130 30621	1N4148
6910	4822 130 30621	1N4148
6911	4822 130 30621	1N4148
6912	4822 130 31878	1N4003G
6914	4822 130 30621	1N4148
6915	4822 130 34173	BZX79-C5V6
6916	4822 130 31878	1N4003G
6917	4822 130 34145	BZX79-C39
6918	4822 130 30621	1N4148

TRANSISTORS & INTEGRATED CIRCUITS

7201	4822 130 40959	BC547B
7210	9322 139 23687	△ TRA POW BDX53BFP
7211	4822 130 40959	BC547B
7212	4822 130 40959	BC547B
7213	4822 130 40959	BC547B
7214	4822 130 40959	BC547B
7215	4822 130 40995	BD438
7216	4822 130 40959	BC547B
7230	4822 209 81351	IC LM317P
7231	4822 130 40959	BC547B
7232	4822 130 40995	BD438
7250	4822 209 12335	IC L4941

ELECTRICAL PARTS LIST - SUPPLY & MAIN BOARDS

7251	4822 130 40959	BC547B
7252	4822 130 40995	BD438
7260	4822 209 12335	IC L4941 /21R/37S
7261	4822 130 40959	BC547B /21R/37S
7262	4822 130 40995	BD438 /21R/37S
7290	4822 130 40995	BD438
7295	4822 130 63615	BD241BFP
7901	4822 130 44568	BC557B
7902	4822 130 40959	BC547B
7904	4822 130 40855	BC337-40
7905	4822 130 44568	BC557B
7906	4822 130 40981	BC337-25

Note : Only the parts mentioned in this list are normal service spare parts.

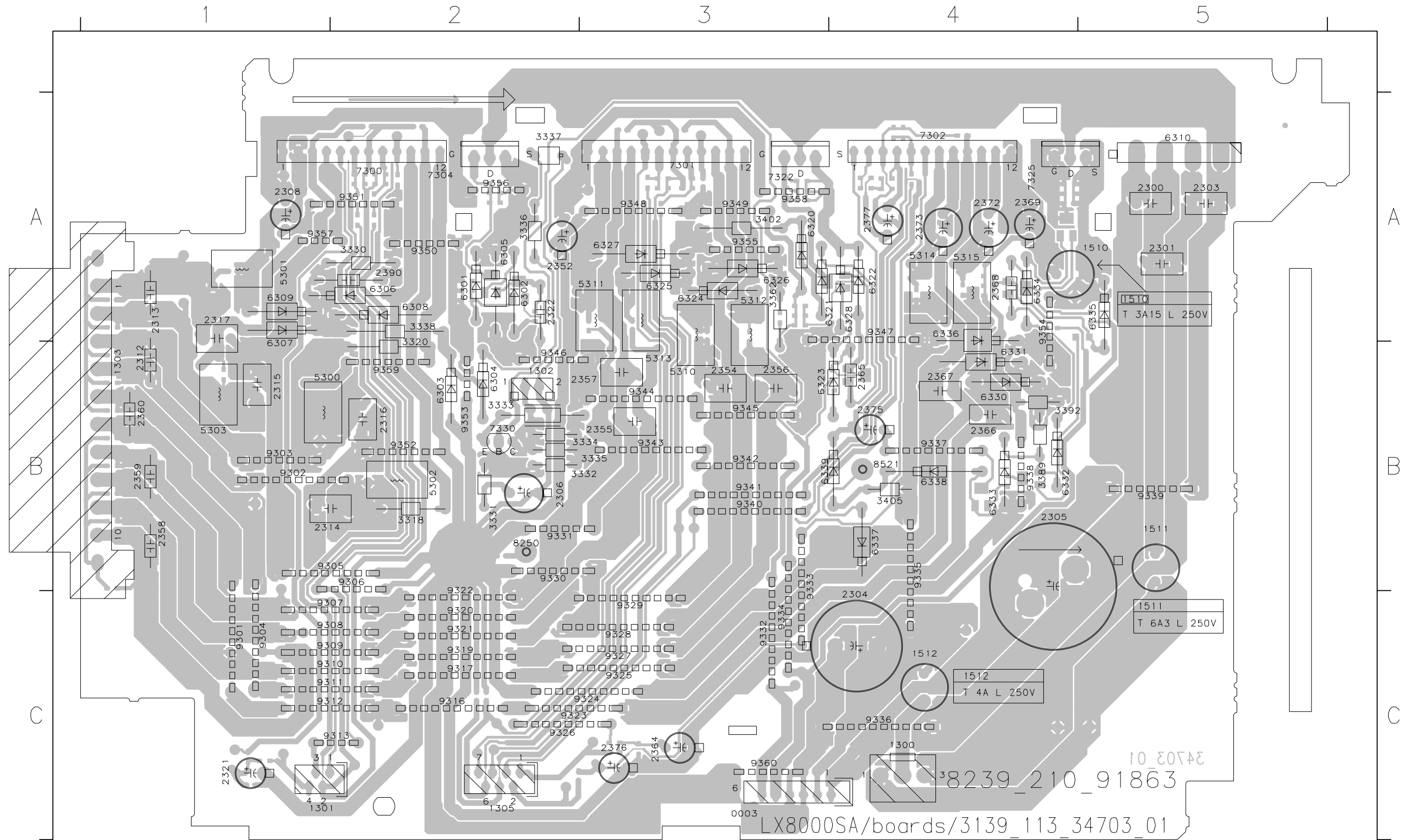
POWER AMPLIFIER BOARD

TABLE OF CONTENTS

Component layout	9-2
Chip layout	9-3
Circuit diagram (Part 1)	9-4
Circuit diagram (Part 2)	9-5
Electrical parts list.....	9-6

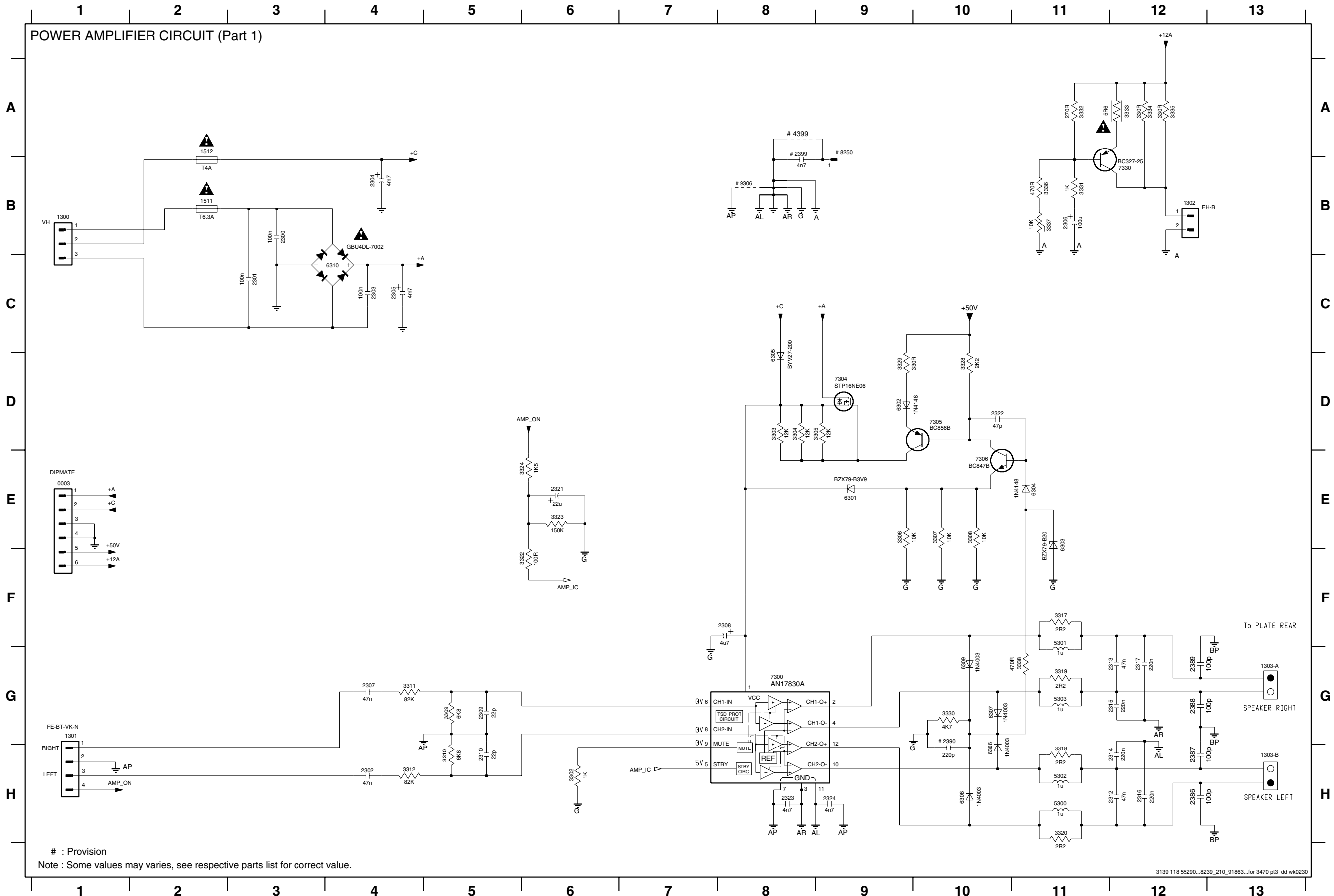
POWER AMPLIFIER BOARD - COMPONENT LAYOUT

0003 C3	2301 A5	2316 B2	2359 B1	2375 B4	3334 B3	5300 B1	6301 A2	6320 A3	6331 B4	7301 A3	9303 B1	9313 C2	9326 C2	9336 C4	9346 B2	9356 A2
1300 C4	2303 A5	2317 A1	2360 B1	2376 C3	3335 B3	5301 A1	6302 A2	6321 A4	6332 B4	7302 A4	9304 C1	9316 C2	9327 C3	9337 B4	9347 A4	9357 A1
1301 C1	2304 C4	2321 C1	2364 C3	2377 A4	3336 A2	5302 B2	6303 B2	6322 A4	6333 B4	7304 A2	9305 B2	9317 C2	9328 C3	9338 B4	9348 A3	9358 A3
1302 B2	2305 B4	2322 A2	2365 B4	2390 A2	3337 A2	5303 B1	6304 B2	6323 B3	6334 A4	7322 A3	9306 B2	9319 C2	9329 C3	9339 B5	9349 A3	9359 B2
1303 B1	2306 B2	2352 A2	2366 B4	3318 B2	3338 A2	5310 B3	6305 A2	6324 A3	6335 A5	7325 A4	9307 C1	9320 C2	9330 B2	9340 B3	9350 A2	9360 C3
1305 C2	2308 A1	2354 B3	2367 B4	3320 B2	3362 A3	5311 A3	6306 A2	6325 A3	6336 A4	7330 B2	9308 C1	9321 C2	9331 B2	9341 B3	9351 A2	
1510 A5	2312 B1	2355 B3	2368 A4	3330 A2	3389 B4	5312 A3	6307 B1	6326 A3	6337 B4	8250 B2	9309 C1	9322 B2	9332 C3	9342 B3	9352 B2	
1511 B5	2313 A1	2356 B3	2369 A4	3331 B2	3392 B4	5313 B3	6308 A2	6327 A3	6338 B4	8521 B4	9310 C1	9323 C2	9333 B3	9343 B3	9353 B2	
1512 C4	2314 B1	2357 B3	2372 A4	3332 B3	3402 A3	5314 A4	6309 A1	6328 A4	6339 B3	9301 C1	9311 C1	9324 C3	9334 C3	9344 B3	9354 A4	
2300 A5	2315 B1	2358 B1	2373 A4	3333 B2	3405 B4	5315 A4	6310 A5	6330 B4	7300 A2	9302 B1	9312 C1	9325 C3	9335 B4	9345 B3	9355 A3	



This assembly drawing shows a summary of all possible versions. For components used in a specific version see schematic diagram and respective parts list.

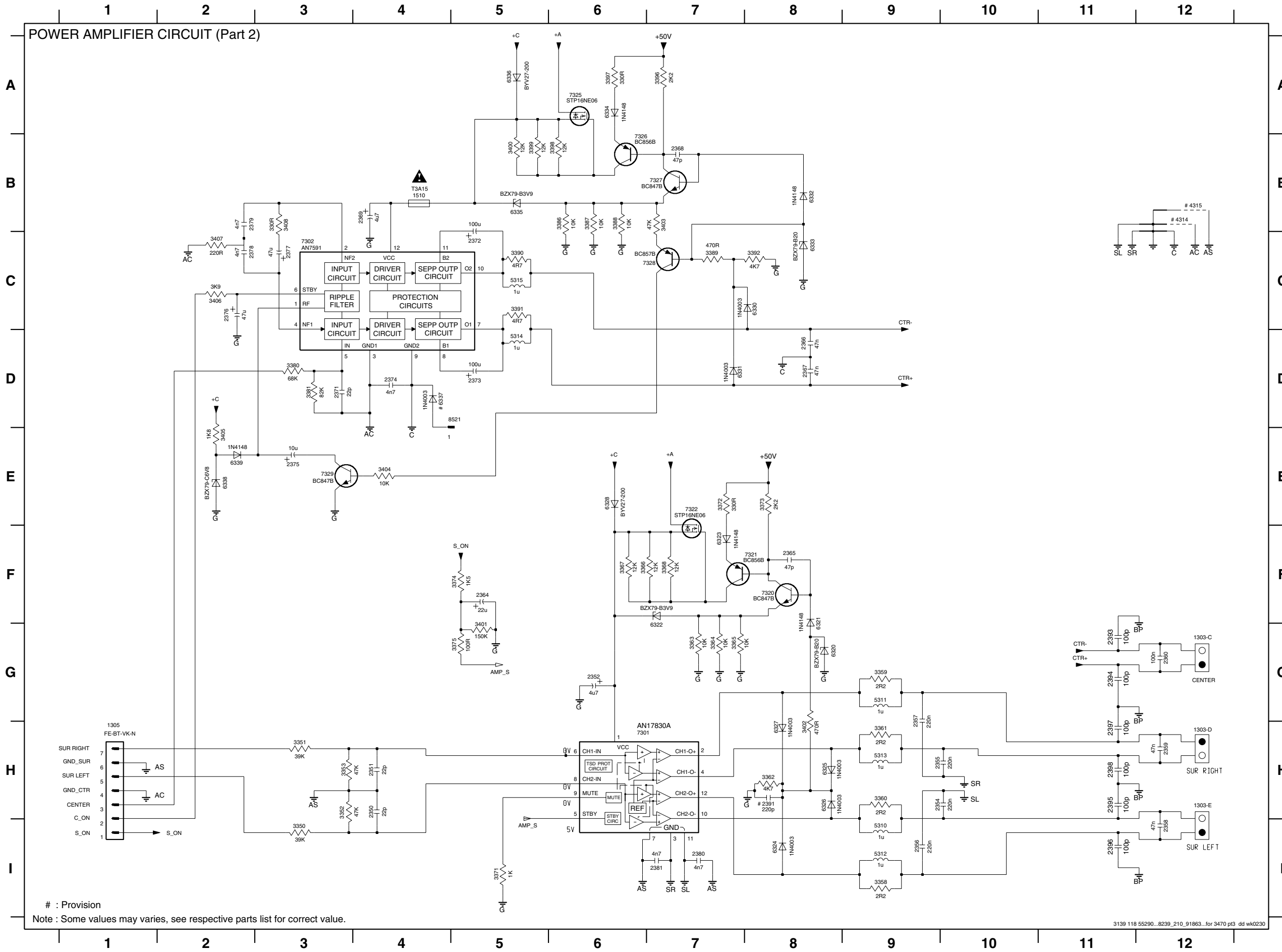
POWER AMPLIFIER BOARD - CIRCUIT DIAGRAM (PART 1)



- 0003 E1
- 1300 B1
- 1301 G1
- 1302 B12
- 1303-A G13
- 1303-B H13
- 1511 B2
- 1512 A2
- 2300 B3
- 2301 C3
- 2302 H4
- 2303 C4
- 2304 B4
- 2305 C4
- 2306 B11
- 2307 G4
- 2308 F8
- 2309 G5
- 2310 H5
- 2312 H12
- 2313 G12
- 2314 H12
- 2315 G12
- 2316 H12
- 2317 G12
- 2321 E6
- 2322 D10
- 2323 H8
- 2324 H9
- 2386 H12
- 2387 H12
- 2388 G12
- 2389 G12
- 2390 G10
- 2399 A8
- 3302 H6
- 3303 D8
- 3304 D8
- 3305 D9
- 3306 E9
- 3307 E10
- 3308 E10
- 3309 G5
- 3310 H5
- 3311 G4
- 3312 H4
- 3317 F11
- 3318 H11
- 3319 G11
- 3320 H11
- 3322 F6
- 3323 E6
- 3324 E6
- 3328 D10
- 3329 D9
- 3330 G10
- 3331 B11
- 3332 A11
- 3333 A12
- 3334 A12
- 3335 A12
- 3336 B11
- 3337 B11
- 3338 G11
- 4399 A8
- 5300 H11
- 5301 F11
- 5302 H11
- 5303 G11
- 6301 E9
- 6302 D9
- 6303 E11
- 6304 E11
- 6305 D8
- 6306 H10
- 6307 G10
- 6308 H10
- 6309 G10
- 6310 C4
- 7300 G8
- 7304 D9
- 7305 D10
- 7306 E10
- 7330 B11
- 8250 A9
- 9306 B8

: Provision
 Note : Some values may varies, see respective parts list for correct value.

POWER AMPLIFIER BOARD - CIRCUIT DIAGRAM (PART 2)



- 1303-C G12
- 1303-D H12
- 1303-E H12
- 1305 H1
- 1510 B4
- 2350 H4
- 2351 H4
- 2352 G6
- 2354 H9
- 2355 I9
- 2356 I9
- 2357 G9
- 2358 I12
- 2359 H12
- 2360 C12
- 2364 F5
- 2365 F8
- 2366 D8
- 2367 D8
- 2368 B7
- 2369 B4
- 2371 D3
- 2372 C5
- 2373 D5
- 2374 D4
- 2375 E3
- 2376 C2
- 2377 C3
- 2378 C2
- 2379 B2
- 2380 I7
- 2381 I7
- 2391 H8
- 2393 G11
- 2394 G11
- 2395 H11
- 2396 I11
- 2397 H11
- 2398 H11
- 3350 I3
- 3351 H3
- 3352 H3
- 3353 H3
- 3358 I9
- 3359 G9
- 3360 H9
- 3361 H9
- 3362 H8
- 3363 G7
- 3364 G7
- 3365 G7
- 3366 F6
- 3367 F6
- 3368 F7
- 3371 I5
- 3372 E7
- 3373 E8
- 3374 F5
- 3375 G5
- 3380 D3
- 3381 D3
- 3386 B6
- 3387 B6
- 3388 B6
- 3389 C7
- 3390 C5
- 3391 C5
- 3392 C8
- 3396 A7
- 3397 A6
- 3398 B6
- 3399 B5
- 3400 B5
- 3401 F5
- 3402 H8
- 3403 B7
- 3404 E4
- 3405 E2
- 3406 C2
- 3407 C2
- 3408 B3
- 4314 B12
- 4315 B12
- 5310 I9
- 5311 G9
- 5312 I9
- 5313 H9
- 5314 D5
- 5315 C5
- 6320 G8
- 6321 G8
- 6322 F7
- 6323 F7
- 6324 I8
- 6325 H8
- 6326 H8
- 6327 H8
- 6328 E6
- 6330 C8
- 6331 D7
- 6332 B8
- 6333 C8
- 6334 A6
- 6335 B5
- 6336 A5
- 6337 D4
- 6338 E2
- 6339 E2
- 7301 H6
- 7302 C3
- 7320 F8
- 7321 F8
- 7322 E7
- 7325 A6
- 7326 A6
- 7327 B7
- 7328 C7
- 7329 E3
- 8521 D5

: Provision
 Note : Some values may varies, see respective parts list for correct value.

ELECTRICAL PARTS LIST - POWER AMPLIFIER BOARD**MISCELLANEOUS**

0005	3139 114 75830	HOLDER IC AMP
1301	4822 267 10733	Flex Connector 4P
1303	2422 015 19764	Speaker Terminal Click 10P
1305	4822 267 10953	Flex Connector 7P
1510	4822 071 53152	△ FUSE RAD LT 3,15A 250V
1511	4822 252 51123	△ FUSE RAD LT 6,3A 250V
1512	9965 000 07786	△ FUSE RAD LT 4A 250V

CAPACITORS

2300	5322 121 42386	100nF 5% 63V
2301	5322 121 42386	100nF 5% 63V
2302	3198 017 34730	47nF 16V
2303	5322 121 42386	100nF 5% 63V
2304	4822 124 12012	4700uF 20% 25V
2305	4822 124 80415	4700uF 20% 50V
2306	4822 124 40207	100uF 20% 25V
2307	3198 017 34730	47nF 16V
2308	4822 124 40769	4,7uF 20% 100V
2309	4822 122 33761	22pF 5% 50V
2310	4822 122 33761	22pF 5% 50V
2312	4822 126 12785	47nF 50V
2313	4822 126 12785	47nF 50V
2314	4822 121 42408	220nF 5% 63V
2315	4822 121 42408	220nF 5% 63V
2316	4822 121 42408	220nF 5% 63V
2317	4822 121 42408	220nF 5% 63V
2321	4822 124 81151	22uF 50V
2322	4822 122 33848	47pF 5% 50V
2323	4822 126 13193	4,7nF 10% 63V
2324	4822 126 13193	4,7nF 10% 63V
2350	4822 122 33761	22pF 5% 50V
2351	4822 122 33761	22pF 5% 50V
2352	4822 124 40769	4,7uF 20% 100V
2354	4822 121 42408	220nF 5% 63V
2355	4822 121 42408	220nF 5% 63V
2356	4822 121 42408	220nF 5% 63V
2357	4822 121 42408	220nF 5% 63V
2358	4822 126 12785	47nF 50V
2359	4822 126 12785	47nF 50V
2360	2020 561 90365	100nF +80/-20% 50V
2364	4822 124 81151	22uF 50V
2365	4822 122 33848	47pF 5% 50V
2366	4822 121 43526	47nF 5% 250V
2367	4822 121 43526	47nF 5% 250V
2368	4822 122 33848	47pF 5% 50V
2369	4822 124 40769	4,7uF 20% 100V
2371	4822 122 33761	22pF 5% 50V
2372	4822 124 40207	100uF 20% 25V
2373	4822 124 40207	100uF 20% 25V
2374	4822 126 13193	4,7nF 10% 63V
2375	4822 124 40248	10uF 20% 63V
2376	4822 124 40433	47uF 20% 25V

2377	4822 124 40433	47uF 20% 25V
2378	4822 126 13193	4,7nF 10% 63V
2379	4822 126 13193	4,7nF 10% 63V
2380	4822 126 13193	4,7nF 10% 63V
2381	4822 126 13193	4,7nF 10% 63V
2386	2020 552 94427	100pF 5% 50V
2387	2020 552 94427	100pF 5% 50V
2388	2020 552 94427	100pF 5% 50V
2389	2020 552 94427	100pF 5% 50V
2393	2020 552 94427	100pF 5% 50V
2394	2020 552 94427	100pF 5% 50V
2395	2020 552 94427	100pF 5% 50V
2396	2020 552 94427	100pF 5% 50V
2397	2020 552 94427	100pF 5% 50V
2398	2020 552 94427	100pF 5% 50V

RESISTORS

3302	4822 051 30102	1k 5% 0,062W
3303	4822 051 30123	12k 5% 0,062W
3304	4822 051 30123	12k 5% 0,062W
3305	4822 051 30123	12k 5% 0,062W
3306	4822 051 30103	10k 5% 0,062W
3307	4822 051 30103	10k 5% 0,062W
3308	4822 051 30103	10k 5% 0,062W
3309	4822 051 30682	6k8 5% 0,062W
3310	4822 051 30682	6k8 5% 0,062W
3311	4822 117 12864	82k 5% 0,6W
3312	4822 117 12864	82k 5% 0,6W
3317	4822 117 13613	2R2 5%
3318	4822 116 81154	2R2 5% 0,5W
3319	4822 117 13613	2R2 5%
3320	4822 116 81154	2R2 5% 0,5W
3322	4822 051 30101	100R 5% 0,062W
3323	4822 051 30154	150k 5% 0,062W
3324	4822 051 30152	1k5 5% 0,062W
3328	4822 051 30222	2k2 5% 0,062W
3329	4822 051 30331	330R 5% 0,062W
3330	4822 116 52283	4k7 5% 0,5W
3331	4822 050 11002	1k 1% 0,4W
3332	4822 116 83876	270R 5% 0,5W
3333	4822 052 10568	△ 5R6 5% 0,33W
3334	4822 116 52219	330R 5% 0,5W
3335	4822 116 52219	330R 5% 0,5W
3336	4822 116 83883	470R 5% 0,5W
3337	4822 117 12063	NTC DC 5W 10k 5%
3338	4822 116 83883	470R 5% 0,5W
3350	4822 051 30393	39k 5% 0,062W
3351	4822 051 30393	39k 5% 0,062W
3352	4822 117 12925	47k 1% 0,063W
3353	4822 117 12925	47k 1% 0,063W
3358	4822 117 13613	2R2 5%
3359	4822 117 13613	2R2 5%

ELECTRICAL PARTS LIST - POWER AMPLIFIER BOARD

3360	4822 117 13613	2R2 5%
3361	4822 117 13613	2R2 5%
3362	4822 116 52283	4k7 5% 0,5W
3363	4822 051 30103	10k 5% 0,062W
3364	4822 051 30103	10k 5% 0,062W
3365	4822 051 30103	10k 5% 0,062W
3366	4822 051 30123	12k 5% 0,062W
3367	4822 051 30123	12k 5% 0,062W
3368	4822 051 30123	12k 5% 0,062W
3371	4822 051 30102	1k 5% 0,062W
3372	4822 051 30331	330R 5% 0,062W
3373	4822 051 30222	2k2 5% 0,062W
3374	4822 051 30152	1k5 5% 0,062W
3375	4822 051 30101	100R 5% 0,062W
3380	4822 051 30683	68k 5% 0,062W
3381	4822 117 12864	82k 5% 0,6W
3386	4822 051 30103	10k 5% 0,062W
3387	4822 051 30103	10k 5% 0,062W
3388	4822 051 30103	10k 5% 0,062W
3389	4822 116 83883	470R 5% 0,5W
3390	4822 117 13608	4,7R 5% 0,0016W
3391	4822 117 13608	4,7R 5% 0,0016W
3392	4822 116 52283	4k7 5% 0,5W
3396	4822 051 30222	2k2 5% 0,062W
3397	4822 051 30331	330R 5% 0,062W
3398	4822 051 30123	12k 5% 0,062W
3399	4822 051 30123	12k 5% 0,062W
3400	4822 051 30123	12k 5% 0,062W
3401	4822 051 30154	150k 5% 0,062W
3402	4822 116 83883	470R 5% 0,5W
3403	4822 117 10834	47k 1% 0,1W
3404	4822 051 30103	10k 5% 0,062W
3405	4822 116 52249	1k8 5% 0,5W
3406	4822 051 30392	3k9 5% 0,063W
3407	4822 051 30221	220R 5% 0,062W
3408	4822 051 30331	330R 5% 0,062W

COILS & FILTERS

5300	4822 157 62255	Coil 18,5 Turns
5301	4822 157 62255	Coil 18,5 Turns
5302	4822 157 62255	Coil 18,5 Turns
5303	4822 157 62255	Coil 18,5 Turns
5310	4822 157 62255	Coil 18,5 Turns
5311	4822 157 62255	Coil 18,5 Turns
5312	4822 157 62255	Coil 18,5 Turns
5313	4822 157 62255	Coil 18,5 Turns
5314	4822 157 62255	Coil 18,5 Turns
5315	4822 157 62255	Coil 18,5 Turns

DIODES

6301	3198 010 53980	DIO REG BZX79-B3V9
6302	4822 130 30621	1N4148

6303	4822 130 34499	BZX79-B20
6304	4822 130 30621	1N4148
6305	5322 130 31938	BYV27-200
6306	4822 130 31878	1N4003G
6307	4822 130 31878	1N4003G
6308	4822 130 31878	1N4003G
6309	4822 130 31878	1N4003G
6310	9322 138 05667	△ BRIDGE GBU4DL-7002
6320	4822 130 34499	BZX79-B20
6321	4822 130 30621	1N4148
6322	3198 010 53980	DIO REG BZX79-B3V9
6323	4822 130 30621	1N4148
6324	4822 130 31878	1N4003G
6325	4822 130 31878	1N4003G
6326	4822 130 31878	1N4003G
6327	4822 130 31878	1N4003G
6328	5322 130 31938	BYV27-200
6330	4822 130 31878	1N4003G
6331	4822 130 31878	1N4003G
6332	4822 130 30621	1N4148
6333	4822 130 34499	BZX79-B20
6334	4822 130 30621	1N4148
6335	3198 010 53980	DIO REG BZX79-B3V9
6336	5322 130 31938	BYV27-200
6338	4822 130 34278	BZX79-C6V8
6339	4822 130 30621	1N4148

TRANSISTORS & INTEGRATED CIRCUITS

7300	9322 174 32682	IC AN17830A
7301	9322 174 32682	IC AN17830A
7302	9322 153 02682	IC AN7591
7304	4822 130 11336	STP16NE06FP
7305	4822 130 60373	BC856B
7306	5322 130 60159	BC847B
7320	5322 130 60159	BC847B
7321	4822 130 60373	BC856B
7322	4822 130 11336	STP16NE06FP
7325	4822 130 11336	STP16NE06FP
7326	4822 130 60373	BC856B
7327	5322 130 60159	BC847B
7328	4822 130 60373	BC857B
7329	5322 130 60159	BC847B
7330	4822 130 41246	BC327-25

Note : Only the parts mentioned in this list are normal service spare parts.

AVC BOARD

TABLE OF CONTENTS

Brief Introduction	10-1
Top view layout	10-2
Top view layout (Mapping)	10-3
Bottom view layout	10-4
Circuit diagram (Part 1)	10-5
Circuit diagram (Part 2)	10-6
Circuit diagram (Part 3)	10-7
Circuit diagram (Part 4)	10-8
Circuit diagram (Part 5)	10-9
Circuit diagram (Part 6)	10-10
Circuit diagram (Part 7)	10-11
Electrical parts list	10-12

Brief introduction of the AVC (Audio, Video and Control) Board

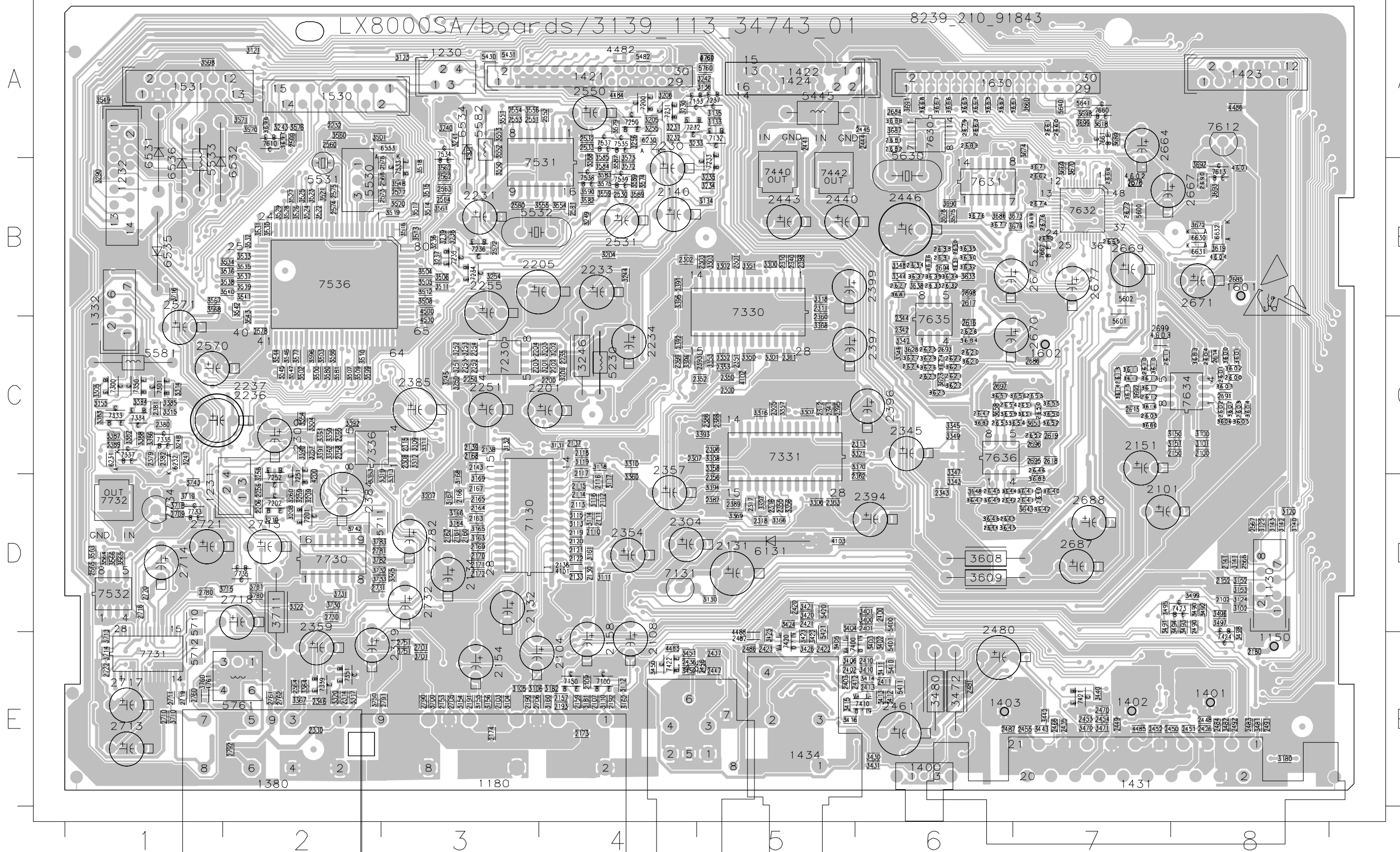
The AVC Board consists of the Microprocessor of the set, eeprom, RDS decoder, back light control, video buffer and the following:

- a. IC CS4362
A 6 channel DAC IC CS4362 which interfaces with the DVD module. It accepts PCM data at sample rates from 4kHz to 192kHz and DSD audio data. It has 6 differential outputs. The outputs are fed into opm amplifiers for equalization and conversion into single end outputs.
- b. IC TDA7468
IC TDA7468 which includes functions such as source selection, sound control, volume control and muting function. Sound features such as DSC and IS are controllable via I2C Bus from the microprocessor. The IC caters for 4 input sources, namely TUNER, DVD, TV IN and MUX IN.
MUX IN is further multiplexed between AUX IN and DIGITAL IN by IC HEF4053BT. Input networks are included to provide appropriate attenuation for various sources.
- c. Scart output
Scart output for audio/video connection to TV (Not in all versions).
- d. Line out
Line out with cinch socket for connection to external amplifier.
- e. Center out
Center out with cinch socket for connection to active center speaker.
- f. Subwoofer output
Subwoofer output with cinch socket for connection to active subwoofer speaker.
- g. Headphone Amplifier
Headphone Amplifier to drive 32 ohm to 1 kohm headphone.
The Headphone socket is not situated in this AVC Board but in Key & Control Board.
- h. Digital out
Digital out with cinch socket for connection to Digital in of other audio equipment.
- i. Digital in
Digital in with cinch socket for connection to Digital out of other audio equipment.
- j. YUV out
YUV out with cinch socket for connection to TV (Not in all versions).

AVC BOARD - TOP VIEW LAYOUT

This assembly drawing shows a summary of all possible versions. For components used in a specific version see schematic diagram and respective parts list.

3139 113 3474 pt3 dd wk0232



AVC BOARD - TOP VIEW LAYOUT (MAPPING)

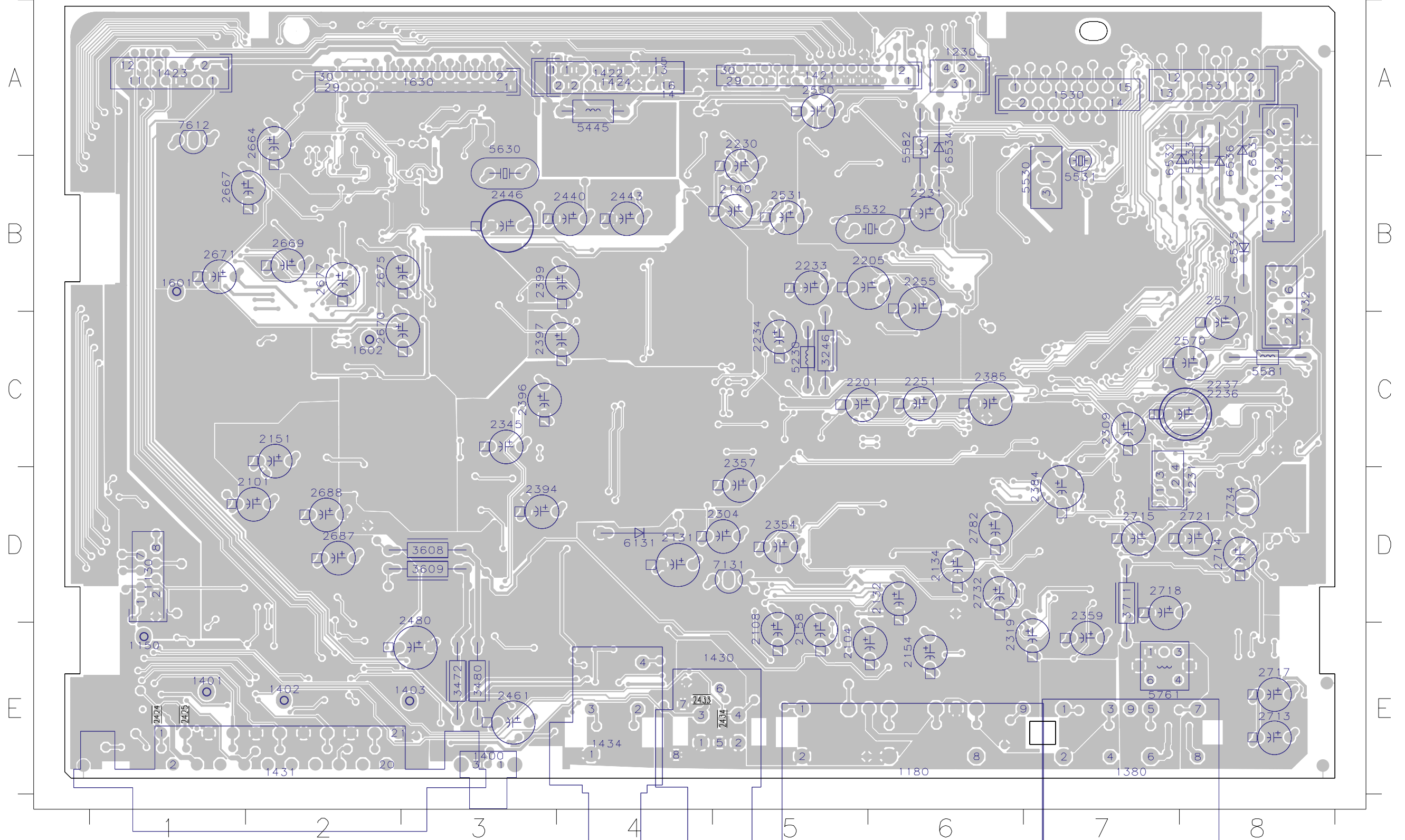
1130	D8	1400	E6	1424	A5	1602	C7	2134	D3	2230	A4	2255	B3	2359	D2	2440	B5	2570	C1	2675	B7	2717	E1	3480	E6	5531	B2	6131	D5	7612	A8
1150	E8	1401	E8	1430	E4	1630	A6	2140	B4	2231	B3	2304	D4	2384	D2	2443	B5	2571	B1	2677	B7	2718	D2	3608	D6	5532	B3	6531	A1	7734	D1
1180	E3	1402	E7	1431	E7	2101	D7	2151	C7	2233	B4	2309	C2	2385	C3	2446	B6	2664	A7	2687	D7	2721	D1	3609	D6	5533	B1	6532	B1		
1230	A3	1403	E6	1434	E5	2104	E4	2154	E3	2234	C4	2319	E3	2394	D6	2461	E6	2667	B8	2688	D7	2732	D3	3711	D2	5581	C1	6534	A3		
1231	D1	1421	A4	1530	A2	2108	E4	2158	E4	2236	C1	2345	C6	2396	C6	2480	D6	2669	B7	2713	E1	2782	D3	5230	C4	5582	A3	6535	B1		
1232	B1	1422	A5	1531	A1	2131	D5	2201	C4	2237	C1	2354	D4	2397	C6	2531	B4	2670	C7	2714	D1	3246	C4	5445	A5	5630	A6	6536	B1		
1332	B1	1423	A8	1601	B8	2132	D3	2205	B3	2251	C3	2357	C4	2399	B6	2550	A4	2671	B8	2715	D2	3472	E6	5530	B2	5761	E2	7131	D4		
2100	C8	2193	E4	2379	C1	2487	E6	2625	C6	2697	C6	3135	A5	3243	A2	3351	B5	3420	D5	3521	B2	3573	A4	3632	B6	3682	C6	4501	A3	7251	D2
2102	D8	2200	C4	2380	C1	2490	D8	2626	C6	2698	B6	3136	A5	3244	B4	3352	C5	3421	D5	3522	B2	3574	B4	3633	B6	3683	C8	4530	C3	7252	D2
2103	E3	2202	C4	2381	C1	2491	E8	2627	B6	2699	C7	3140	D8	3245	C3	3353	C5	3422	E5	3523	B2	3575	B4	3634	B6	3684	C6	4601	B8	7300	C1
2107	E4	2203	C3	2382	C1	2492	E8	2630	B6	2701	E3	3141	D8	3247	C1	3354	C2	3423	E5	3524	B2	3576	A2	3635	B6	3685	D7	4602	B7	7301	C1
2109	E4	2204	C3	2386	C5	2530	B4	2631	B6	2705	E3	3142	D8	3248	C1	3355	C1	3424	D5	3525	B2	3577	C2	3636	B6	3686	B6	4603	C7	7330	B5
2110	D4	2206	D2	2387	D5	2532	A4	2632	B6	2706	E3	3143	D8	3249	B4	3356	D5	3425	E5	3526	B2	3579	A4	3637	B6	3687	A6	4604	B8	7331	C5
2111	D4	2232	A2	2388	C5	2533	A4	2633	B6	2709	D1	3150	C8	3250	C3	3357	C5	3426	E5	3527	B2	3580	C2	3638	B6	3688	A6	4760	A5	7333	C1
2112	D4	2235	C4	2389	D5	2551	A3	2634	B6	2710	E1	3151	C8	3251	C3	3358	C5	3430	E6	3528	B2	3581	C2	3639	B6	3689	A7	4761	E1	7334	C1
2113	D4	2250	C3	2390	C4	2552	A4	2635	B6	2711	E1	3152	D8	3252	C3	3359	C2	3431	E6	3529	B2	3582	B4	3640	D7	3690	B6	5400	D6	7335	C1
2114	D4	2252	C3	2391	B4	2553	A3	2640	D7	2716	D1	3153	D8	3253	C3	3360	D4	3440	E7	3530	B2	3583	B4	3641	D7	3691	A6	5401	E6	7336	C2
2115	D4	2253	C3	2392	C4	2554	A3	2641	D7	2719	E1	3154	E3	3254	B3	3361	C2	3442	E7	3531	B2	3584	B4	3642	D7	3692	B8	5410	E6	7337	C1
2116	D4	2254	C3	2393	C5	2560	A2	2642	D6	2720	D1	3155	E3	3255	A4	3362	C2	3443	E7	3532	B2	3585	A4	3643	D7	3693	B8	5411	E6	7339	E2
2117	C4	2256	D2	2395	C5	2562	B3	2643	D6	2722	E1	3156	E3	3256	A4	3363	D2	3450	E4	3533	B2	3586	C2	3644	D6	3696	A2	5420	D5	7350	C1
2118	C4	2300	C5	2398	B5	2563	B3	2644	D6	2730	D2	3160	E4	3257	C2	3364	E2	3451	E4	3534	B2	3587	B4	3645	D6	3697	A2	5421	E5	7351	E2
2119	D4	2301	B5	2400	D6	2564	B3	2645	D6	2731	D2	3161	D4	3258	D2	3365	D3	3452	E4	3535	B2	3588	B4	3646	D6	3698	A7	5430	A3	7400	E5
2120	D4	2302	B4	2401	D6	2565	D1	2646	C7	2751	E3	3162	E4	3259	D2	3366	D5	3470	E7	3536	B2	3589	B4	3647	D6	3699	A7	5431	A3	7410	E6
2121	D4	2303	B5	2402	E5	2566	D8	2647	C6	2760	E1	3163	D3	3260	D2	3367	E2	3471	E7	3537	B2	3590	B4	3648	D6	3700	E3	5482	A4	7420	E5
2122	D4	2305	C5	2403	E5	2567	D8	2650	C7	2761	E2	3164	D3	3290	B1	3368	C5	3481	E8	3538	B2	3596	C2	3649	D6	3701	E3	5600	B7	7421	E7
2130	D4	2306	C5	2410	E6	2568	B3	2651	C7	2762	E2	3165	D3	3300	B5	3369	D5	3482	E8	3539	B2	3598	A1	3650	C7	3710	E1	5601	C7	7422	E4
2133	D4	2307	C4	2411	E6	2569	A2	2652	C7	2780	D1	3166	D3	3301	C5	3370	C6	3490	D8	3540	B2	3599	C2	3651	C7	3713	E1	5602	B7	7423	D8
2136	D4	2308	C3	2412	E6	2572	B3	2653	C7	2781	D2	3167	D3	3302	B5	3382	C1	3491	D7	3541	B2	3600	C8	3652	C7	3714	E1	5640	A7	7424	E8
2137	C4	2310	B5	2413	E6	2573	B3	2654	C6	2790	E3	3168	D3	3303	B5	3383	C1	3492	D8	3542	B2	3601	C8	3653	C7	3715	D2	5641	A7	7440	B5
2138	C3	2311	B5	2420	D5	2574	B2	2655	C6	2791	E3	3169	D3	3304	C2	3384	C1	3493	D8	3543	C2	3602	C8	3654	C7	3716	B1	5710	D1	7442	B5
2139	C3	2312	C5	2421	D5	2575	B2	2656	B7	2792	E2	3180	E8	3305	C1	3385	C1	3494	D8	3544	C2	3603	C8	3655	C7	3718	D1	5711	D2	7531	B4
2141	D8	2313	C6	2422	E5	2576	B3	2660	A7	3100	C8	3181	E4	3306	D5	3386	C1	3495	D7	3545	C2	3604	C8	3656	C7	3719	D1	5712	E1	7532	D1
2143	C3	2314	E2	2423	E5	2577	B3	2661	A7	3101	C8	3182	E4	3307	C5	3387	C1	3496	D8	3546	C2	3605	C8	3657	C6	3730	D2	5760	A5	7533	B3
2150	C8	2315	C3	2426	E8	2578	C2	2662	B7	3102	D8	3200	C4	3308	C5	3388	C1	3497	D8	3547	C2	3606	C8	3658	C6	3731	D2	6230	A4	7534	A3
2152	D8	2316	D5	2435	E7	2580	B3	2663	A6	3104	E3	3201	C4	3309	C3	3389	C1	3498	E8	3548	B3	3607	C8	3659	C6	3732	D2	6231	C1	7535	A4
2153	E3	2317	D5	2436	E4	2581	B4	2665	B7	3105	E3	3202	C4	3310	C4	3390	C2	3499	D8	3549	A1	3610	C7	3660	A7	3733	D2	6232	C1	7536	B2
2157	E4	2318	D5	2437	E5	2600	C8	2666	B7	3106	E3	3203	C4	3311	C3	3391	C2	3500	C2	3550	B3	3611	C7	3661	A7	3742	D2	6533	A3	7537	A4
2159	E4	2330	E2	2441	A5	2601	C8	2672	B7	3110	E4	3204	B4	3312	C3	3392	C2	3501	A2	3551	A3	3612	C7	3662	A6	3743	D1	6630	B8	7538	B4
2160	D3	2340	B5	2444	A6	2602	C8	2674	B7	3111	D4	3205	A4	3313	D3	3393	C5	3502	C2	3552	A3	3613	C7	3663	A6	3750	E2	6631	B8	7539	B4
2161	D3	2341	C5	2445	A6	2603	C8	2676	B7	3112	E4	3206	A4	3314	C1	3394	D5	3503	C2	3553	A3	3614	C7	3664	A6	3751	E3	6632	B8	7610	A2
2162	D3	2342	C6	2447	E5	2604	C8	2678	B7	3113	D4	3207	D3	3315	C1	3395	B4	3504	B3	3554	B4	3615	C7	3665	A6	3760	E1	7100	E4	7613	B8
2163	D3	2343	D6	2448	E8	2605	C7	2679	A6	3114	D4	3208	D2	3316	C5	3396	C4	3505	B3	3555	B4	3616	C7	3666	A6	3761	A5	7130	D3	7630	A6
2164	D3	2344	C6	2449	E7	2610	C7	2680	B7	3115	D4	3209	D2	3317	E2	3397	D5	3506	B3	3556	A3	3617	C7	3667	A6	3780	D2	7132	A5	7631	B6
2165	D3	2346	E2	2450	E8	2611	C7	2681	A6	3116	D4	3210	D2	3318	B5	3400	D6	3507	C2	3559	B4	3618	A7	3668	A6	3781	D2	7133	A4	7632	B7
2166	D3	2350	C5	2451	E8	2612	C7	2682	A6	3117	D4	3230	A4	3319	D3	3401	D6	3508	B3	3560	A2	3619	B8	3669	B7	3782	D2	7150	E4	7634	C8
2167	D3	2351	C5	2452	E7	2613	C7	2683	A6	3118	C4	3231	A4	3320	E2	3402	E6	3509	C2	3561	B3	3620	C6	3670	B7	3783	D2	7200	A4	7635	C6
2168	C3	2352	C5	2453	E7	2614	C8	2684	A6	3119	C4	3232	A4	3321	C6	3403	E6	3510	C2	3562	B3	3621	C6	3671	B7	4101	D4	7201	D2	7636	C6
2169	D3	2353	C5	2454	E7	2615	C7	2685	B8	3120	D8	3233	A4	3322	D2	3404	D5	3511	B3	3563	D1	3622	C6	3672	B8	4102	C5	7202	D2	7660	A7
2170	D3	2355	D5	2455	E7	2616	C6	2686	C7	3121	A2	3234	B5	3342	C6	3405	E5	3512	B3	3564	D1	3623	C6	3673	B7	4103	D5	7230	C3	7661	A7
2171	D3	2356	D5	2456	E5	2617	B6	2689	B7	3122	D8	3235	B5	3343	D6	3406	E5	3513	B3	3565	D1	3624	C6	3674	A7	4200	D2	7231	A4	7662	B7
2172	D3	2358</																													

AVC BOARD - BOTTOM VIEW LAYOUT

1130 D1	1400 E3	1424 A4	1602 C2	2134 D6	2230 A5	2255 B6	2359 D7	2424 E1	2461 E3	2667 B1	2688 D2	2732 D6	3711 D7	5581 C8	6534 A6
1150 E1	1401 E1	1430 E5	1630 A3	2140 B5	2231 B6	2304 D5	2384 D7	2425 E1	2480 D3	2669 B2	2713 E8	2782 D6	5230 C5	5582 A6	6535 B8
1180 E6	1402 E2	1431 E2	2101 D2	2151 C2	2233 B5	2309 C7	2385 C6	2433 E4	2531 B5	2670 C2	2714 D8	3246 C5	5445 A4	5630 A3	6536 B8
1230 A6	1403 E3	1434 E4	2104 E5	2154 E6	2234 C5	2319 E6	2394 D3	2434 E5	2550 A5	2671 B1	2715 D7	3472 E3	5530 B7	5761 E7	7131 D5
1231 D8	1421 A5	1530 A7	2108 E5	2158 E5	2236 C8	2345 C3	2396 C3	2440 B4	2570 C8	2675 B2	2717 E8	3480 E3	5531 B7	6131 D4	7612 A1
1232 B8	1422 A4	1531 A8	2131 D4	2201 C5	2237 C8	2354 D5	2397 C3	2443 B4	2571 B8	2677 B2	2718 D7	3608 D3	5532 B6	6531 A8	7734 D8
1332 B8	1423 A1	1601 B1	2132 D6	2205 B6	2251 C6	2357 C5	2399 B3	2446 B3	2664 A2	2687 D2	2721 D8	3609 D3	5533 B8	6532 B8	

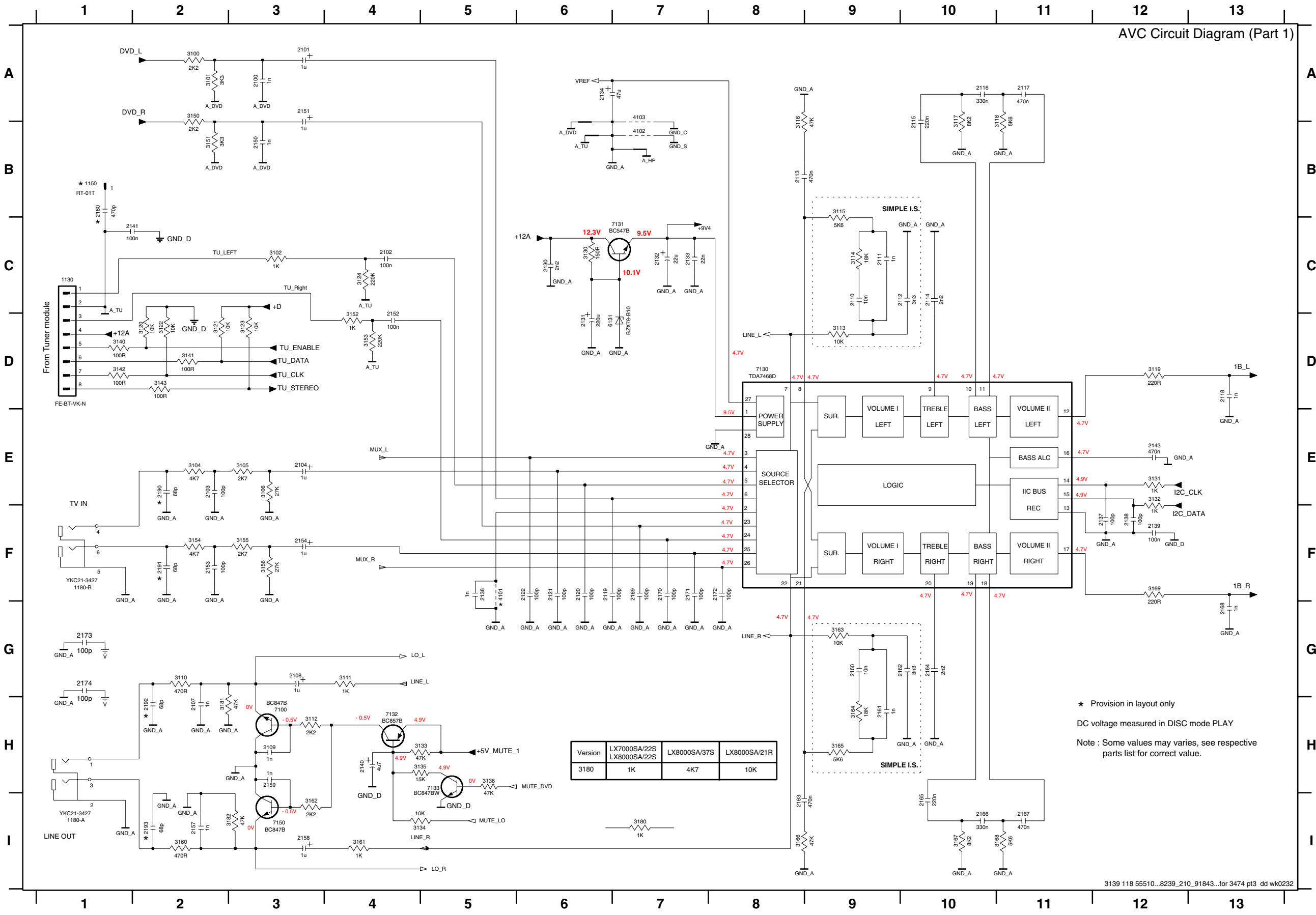
This assembly drawing shows a summary of all possible versions. For components used in a specific version see schematic diagram and respective parts list.

3139 113 3474 pt3 dd wk0232



AVC BOARD - CIRCUIT DIAGRAM (PART 1)

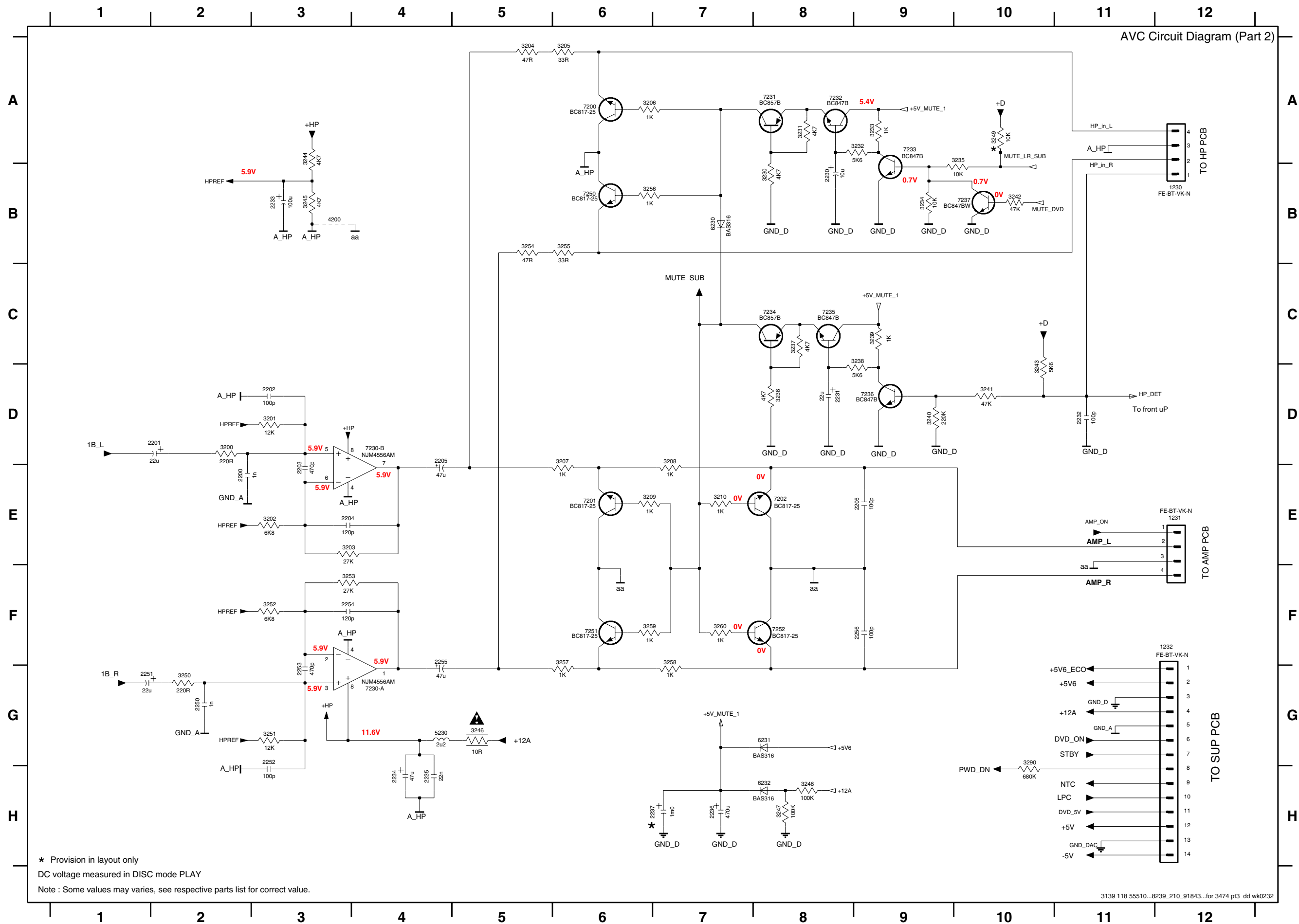
AVC Circuit Diagram (Part 1)



- 1130 C1
- 1150 B1
- 1180-A I1
- 1180-B F1
- 1180-E I1
- 2100 A3
- 2101 A3
- 2102 C4
- 2103 E2
- 2104 E3
- 2107 H2
- 2108 G3
- 2109 H3
- 2110 C9
- 2111 C9
- 2112 C10
- 2113 B8
- 2114 C10
- 2115 B10
- 2116 A10
- 2117 A11
- 2118 D13
- 2119 F6
- 2120 F6
- 2121 F6
- 2122 F6
- 2130 C6
- 2131 D6
- 2132 C7
- 2133 C7
- 2134 A6
- 2136 F5
- 2137 F12
- 2138 F12
- 2139 F12
- 2140 H4
- 2141 C1
- 2143 E12
- 2150 B3
- 2151 A3
- 2152 D4
- 2153 F2
- 2154 F3
- 2157 I2
- 2158 I3
- 2159 H3
- 2160 G9
- 2161 H9
- 2162 G10
- 2163 I8
- 2164 G10
- 2165 I10
- 2166 I10
- 2167 I11
- 2168 G13
- 2169 F7
- 2170 F7
- 2171 F8
- 2172 F8
- 2173 G1
- 2174 G1
- 2180 B1
- 2180 E2
- 2181 F2
- 2182 H2
- 2183 I2
- 3100 A2
- 3101 A2
- 3102 C3
- 3104 E2
- 3105 E3
- 3106 E3
- 3110 G2
- 3111 G4
- 3112 H3
- 3113 D9
- 3114 C9
- 3115 B9
- 3116 B8
- 3117 B10
- 3118 B11
- 3119 D12
- 3120 D2
- 3121 D2
- 3122 D2
- 3123 D3
- 3124 C4
- 3130 C6
- 3131 E12
- 3132 E12
- 3133 H5
- 3134 I4
- 3135 H4
- 3136 H5
- 3140 D1
- 3141 D2
- 3142 D1
- 3143 D2
- 3150 A2
- 3151 B2
- 3152 D4
- 3153 D4
- 3154 F2
- 3155 F3
- 3156 F3
- 3160 I2
- 3161 I4
- 3162 I3
- 3163 G9
- 3164 H9
- 3165 H9
- 3166 I8
- 3167 I10
- 3168 I11
- 3169 F12
- 3180 I7
- 3181 H2
- 3182 I3
- 4101 F5
- 4102 B7
- 4103 A7
- 6131 D6
- 7100 H3
- 7130 D8
- 7131 C7
- 7132 H4
- 7133 H5
- 7150 I3

* Provision in layout only
 DC voltage measured in DISC mode PLAY
 Note : Some values may varies, see respective parts list for correct value.

AVC BOARD - CIRCUIT DIAGRAM (PART 2)



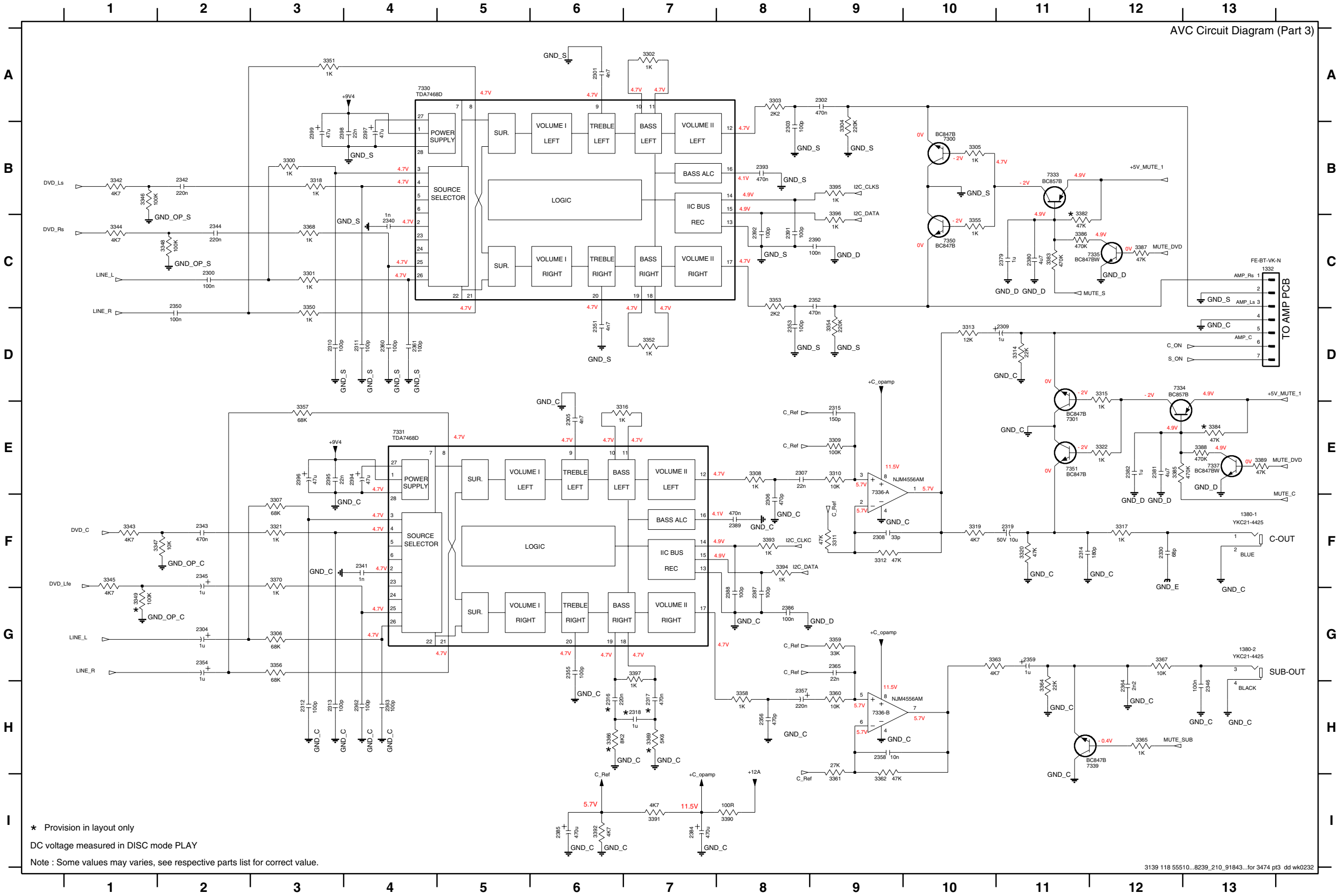
- 1230 B12
- 1231 E12
- 1232 F12
- 2200 E2
- 2201 D2
- 2202 D3
- 2203 E3
- 2204 E3
- 2205 D4
- 2206 E9
- 2230 B8
- 2231 D8
- 2232 D11
- 2233 B3
- 2234 H4
- 2235 H4
- 2236 H7
- 2237 H7
- 2250 G2
- 2251 G1
- 2252 G3
- 2253 G3
- 2254 F3
- 2255 F4
- 2256 F9
- 3200 D2
- 3201 D3
- 3202 E3
- 3203 E3
- 3204 A5
- 3205 A6
- 3206 A6
- 3207 D6
- 3208 D7
- 3209 E6
- 3210 E7
- 3230 B8
- 3231 A8
- 3232 A9
- 3233 A9
- 3234 B9
- 3235 A10
- 3236 D8
- 3237 C8
- 3238 C9
- 3239 C9
- 3240 D9
- 3241 D10
- 3242 B10
- 3243 D10
- 3244 A3
- 3245 B3
- 3246 G5
- 3247 H8
- 3248 H8
- 3249 A10
- 3250 G2
- 3251 G3
- 3252 F3
- 3253 F3
- 3254 B5
- 3255 B6
- 3256 B6
- 3257 F6
- 3258 F7
- 3259 F6
- 3260 F7
- 3290 G10
- 4200 B3
- 5230 G4
- 6230 B7
- 6231 G8
- 6232 H8
- 7200 A6
- 7201 E6
- 7202 E8
- 7230-A G4
- 7230-B D4
- 7231 A8
- 7232 A8
- 7233 A9
- 7234 C8
- 7235 C8
- 7236 D9
- 7237 B10
- 7250 B6
- 7251 F6
- 7252 F8

* Provision in layout only
 DC voltage measured in DISC mode PLAY
 Note : Some values may varies, see respective parts list for correct value.

AVC BOARD - CIRCUIT DIAGRAM (PART 3)

1332 C13	2303 B8	2309 D11	2315 E9	2340 C4	2346 H13	2355 G6	2361 D4	2380 C11	2387 G8	2393 B8	2399 B3	3305 B10	3311 F9	3317 F12	3342 B1	3348 C2	3354 D9	3360 H9	3366 H6	3383 C11	3389 E13	3395 B9	7331 E4	7337 E13
1380-1 F13	2304 G2	2310 D4	2316 H6	2341 F4	2350 D2	2356 H8	2362 H4	2381 E12	2388 G8	2394 E4	3300 B3	3306 G3	3312 F9	3318 B3	3343 F1	3349 G1	3355 C10	3361 I9	3367 G12	3384 E13	3390 I8	3396 C9	7333 B11	7339 H12
1380-2 G13	2305 E6	2311 D4	2317 H7	2342 B2	2351 D6	2357 H8	2363 H4	2382 E12	2389 F8	2395 E3	3301 C3	3307 F3	3313 D10	3319 F10	3344 C1	3350 D3	3356 G3	3362 I9	3368 C3	3385 E12	3391 I7	3397 G7	7334 D12	7350 C10
2300 C2	2306 F8	2312 H3	2318 H7	2343 F2	2352 C9	2358 H9	2364 H12	2384 I7	2390 C9	2396 E3	3302 A7	3308 E8	3314 D11	3320 F11	3345 F1	3351 A3	3357 E3	3363 G10	3369 H7	3386 C11	3392 I6	7300 B10	7335 C12	7351 E11
2301 A6	2307 E8	2313 H4	2319 F11	2344 C2	2353 D8	2359 G11	2365 G9	2385 I6	2391 C8	2397 E4	3303 A8	3309 E9	3315 D12	3321 F3	3346 B1	3352 D7	3358 H8	3364 H11	3370 F3	3387 C12	3393 F8	7301 D11	7336-A E9	
2302 A9	2308 F9	2314 F11	2330 F12	2345 F2	2354 G2	2360 D4	2379 C11	2386 G8	2392 C8	2398 B3	3304 B9	3310 E9	3316 E6	3322 E12	3347 F2	3353 C8	3359 G9	3365 H12	3382 C11	3388 E13	3394 F8	7330 A4	7336-B H9	

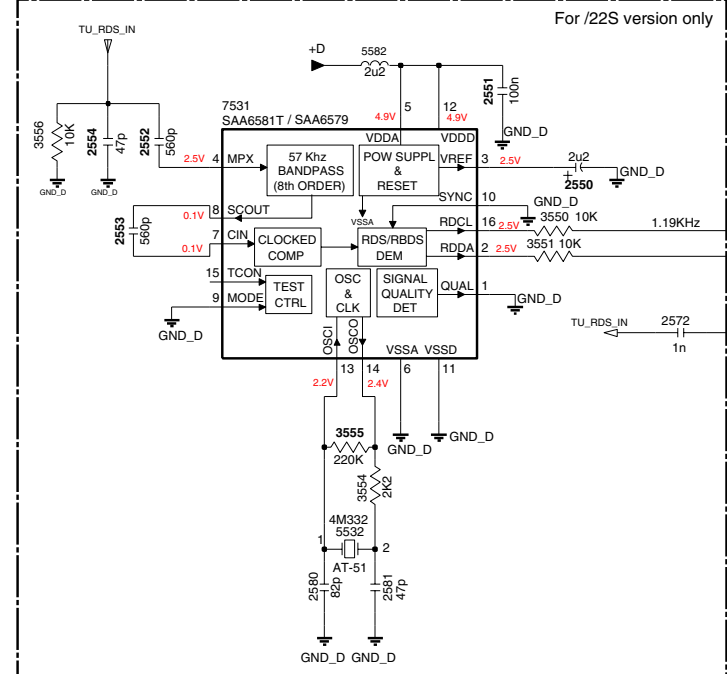
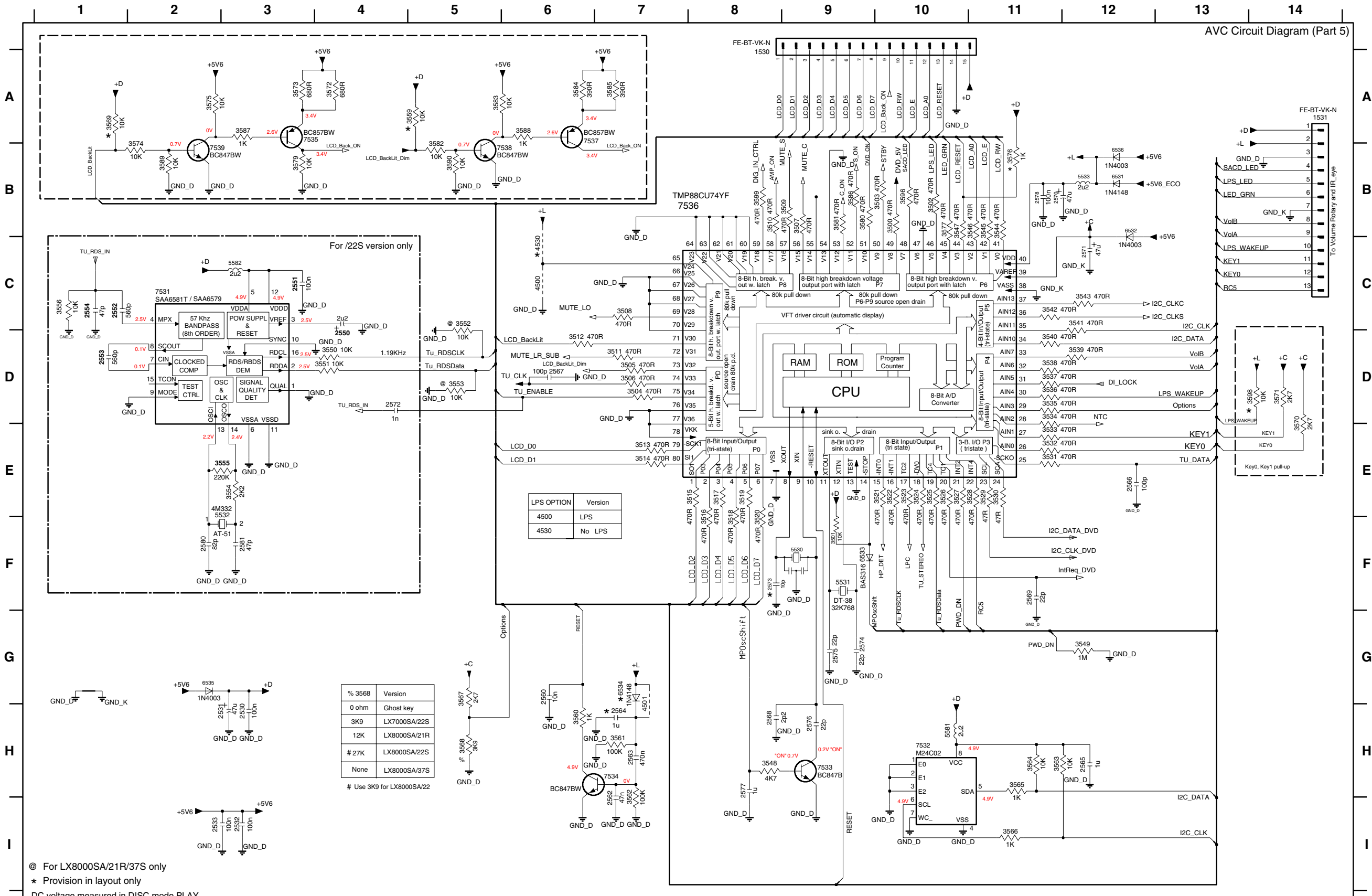
AVC Circuit Diagram (Part 3)



* Provision in layout only
 DC voltage measured in DISC mode PLAY
 Note : Some values may varies, see respective parts list for correct value.

AVC BOARD - CIRCUIT DIAGRAM (PART 5)

AVC Circuit Diagram (Part 5)



LPS OPTION	Version
4500	LPS
4530	No LPS

% 3568	Version
0 ohm	Ghost key
3K9	LX7000SA/22S
12K	LX8000SA/21R
# 27K	LX8000SA/22S
None	LX8000SA/37S

Use 3K9 for LX8000SA/22

@ For LX8000SA/21R/37S only
 * Provision in layout only
 DC voltage measured in DISC mode PLAY
 Note : Some values may varies, see respective parts list for correct value.

- 1530 A8
- 1531 A14
- 2530 H3
- 2531 H3
- 2532 I3
- 2533 I2
- 2550 D4
- 2551 C3
- 2552 C1
- 2553 D1
- 2554 C1
- 2560 G6
- 2562 I7
- 2563 H7
- 2564 H7
- 2565 H12
- 2566 E2
- 2567 D6
- 2568 H8
- 2569 F11
- 2570 B11
- 2571 C12
- 2572 D4
- 2573 F8
- 2574 G9
- 2575 G9
- 2576 H9
- 2577 H8
- 2578 B11
- 2580 F2
- 2581 F3
- 3500 B10
- 3501 F9
- 3502 B10
- 3503 B9
- 3504 D7
- 3505 D7
- 3506 D7
- 3507 B9
- 3508 C7
- 3509 B9
- 3510 B8
- 3511 D7
- 3512 D6
- 3513 E7
- 3514 E7
- 3515 E8
- 3516 E8
- 3517 E8
- 3518 F8
- 3519 E8
- 3520 F8
- 3521 E9
- 3522 E10
- 3523 E10
- 3524 E10
- 3525 E10
- 3526 E10
- 3527 E10
- 3528 E10
- 3529 E11
- 3530 E11
- 3531 E11
- 3532 E11
- 3533 E11
- 3534 D11
- 3535 D11
- 3536 D11
- 3537 D11
- 3538 D11
- 3539 D12
- 3540 D11
- 3541 C12
- 3542 C11
- 3543 C12
- 3544 B11
- 3545 B11
- 3546 B11
- 3547 B10
- 3548 H9
- 3549 G12
- 3550 D4
- 3551 D4
- 3552 C5
- 3553 D5
- 3554 E3
- 3555 E3
- 3556 C1
- 3559 A5
- 3560 H6
- 3561 H7
- 3562 I7
- 3563 H11
- 3564 H11
- 3565 H11
- 3566 I11
- 3567 G5
- 3568 H5
- 3569 A1
- 3570 E14
- 3571 D14
- 3572 A4
- 3573 A3
- 3574 B2
- 3575 A2
- 3576 B11
- 3577 B10
- 3579 B3
- 3580 B9
- 3581 B9
- 3582 B5
- 3583 A5
- 3584 A6
- 3585 A7
- 3586 B9
- 3587 A3
- 3588 A6
- 3589 B2
- 3590 B5
- 3590 B10
- 3590 B8
- 4500 C6
- 4501 H7
- 4530 C6
- 5530 F9
- 5531 F9
- 5532 F3
- 5533 B12
- 5581 H10
- 5582 C3
- 5583 C2
- 5584 B12
- 5585 F9
- 5586 G7
- 5587 G2
- 5588 B12
- 5589 F8
- 5590 C2
- 5591 H10
- 5592 F3
- 5593 H9
- 5594 H7
- 5595 A3
- 5596 B7
- 5597 A6
- 5598 B5
- 5599 B2

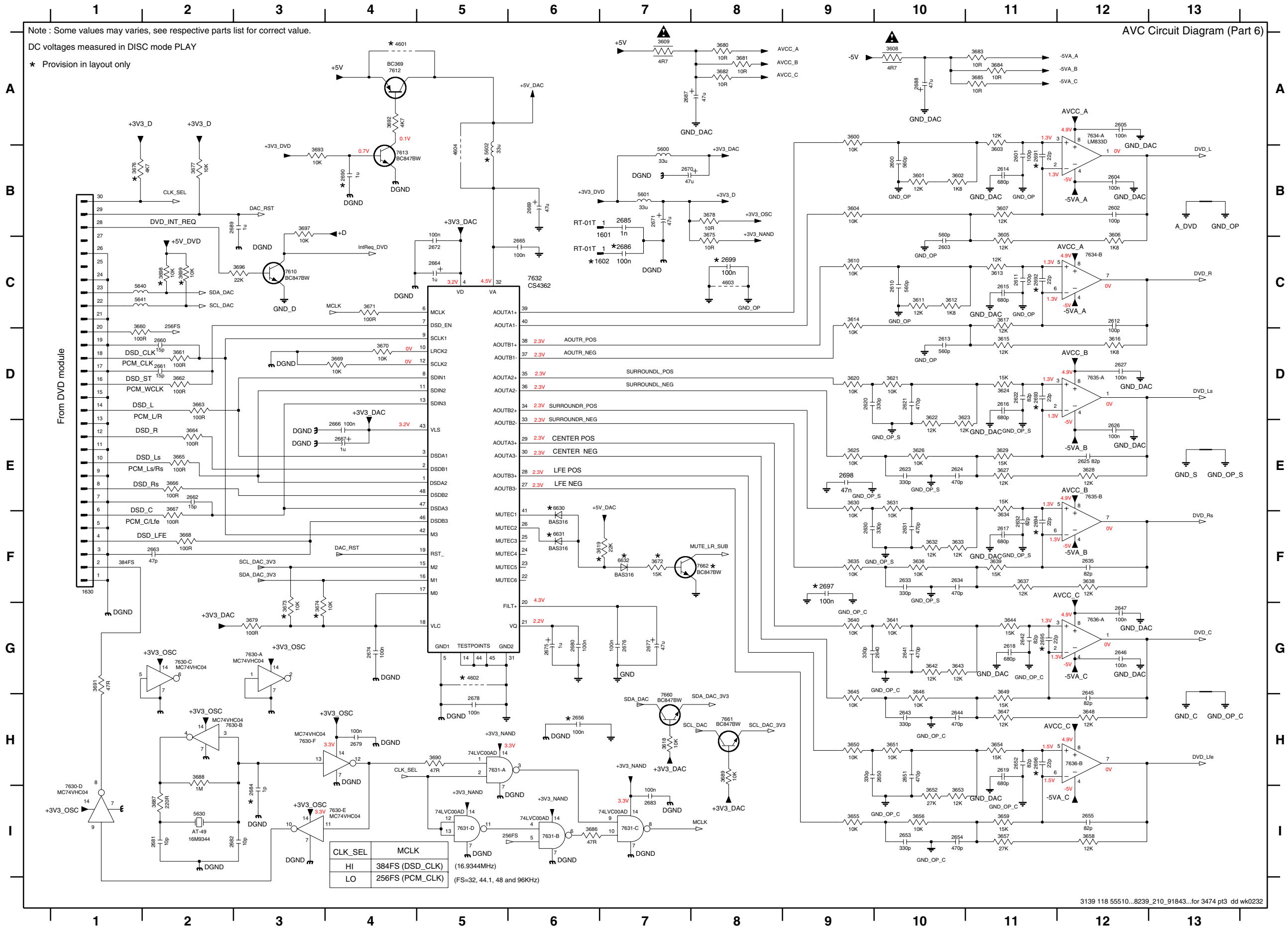
AVC BOARD - CIRCUIT DIAGRAM (PART 6)

AVC Circuit Diagram (Part 6)

Note : Some values may varies, see respective parts list for correct value.

DC voltages measured in DISC mode PLAY

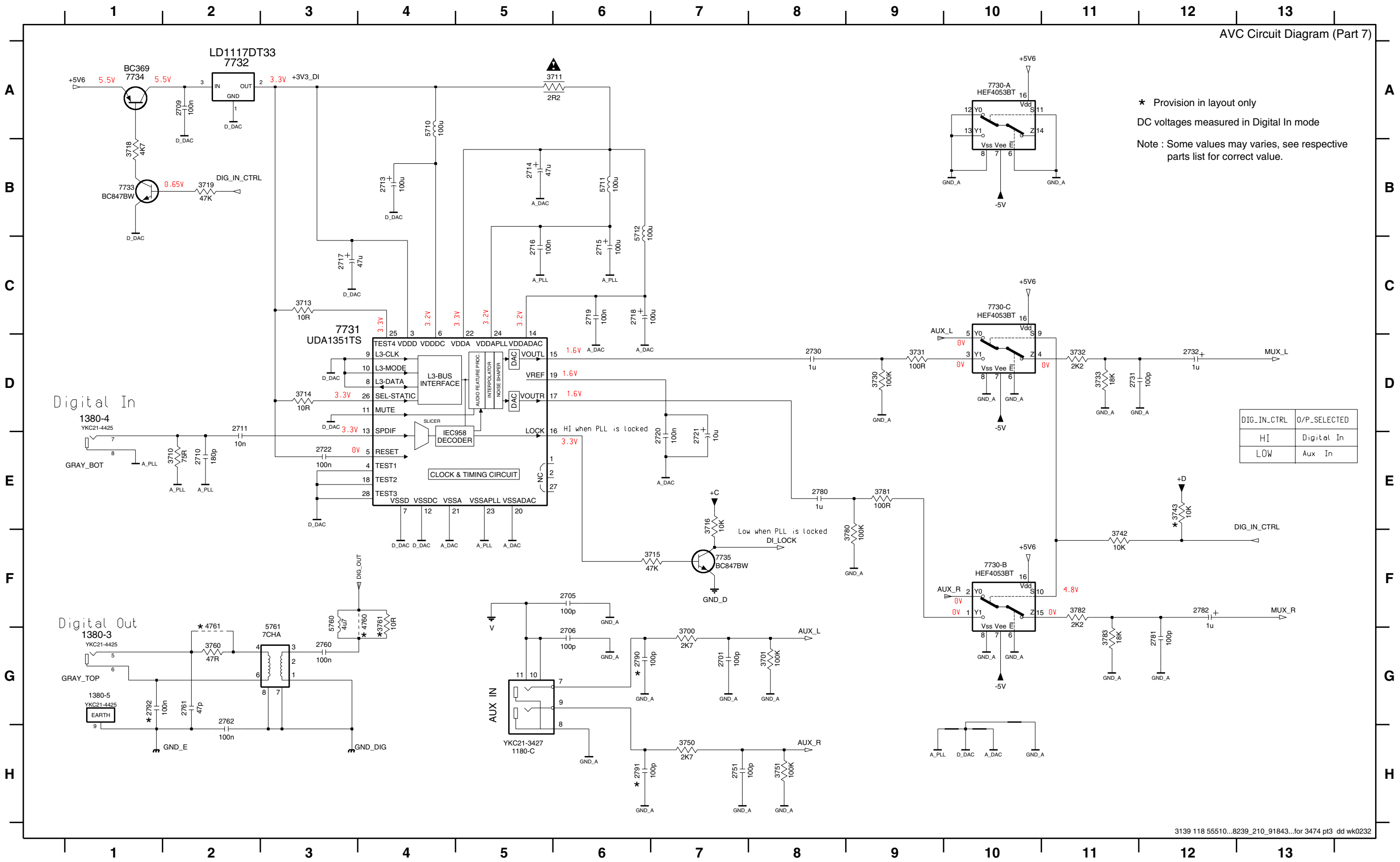
* Provision in layout only



- 1601 B6
- 1602 C6
- 1630 F1
- 2600 B10
- 2601 B11
- 2602 B12
- 2603 C10
- 2604 B12
- 2605 A12
- 2610 C10
- 2611 C11
- 2612 C12
- 2613 D10
- 2614 B11
- 2615 C11
- 2616 D11
- 2617 F11
- 2618 G11
- 2619 H11
- 2620 D9
- 2621 D10
- 2622 D11
- 2623 E10
- 2625 E12
- 2626 E12
- 2627 D12
- 2630 F9
- 2631 F10
- 2632 F11
- 2633 F10
- 2634 F10
- 2635 F12
- 2640 G10
- 2641 G10
- 2642 G10
- 2643 H10
- 2644 H10
- 2645 G12
- 2646 G12
- 2647 G12
- 2650 H10
- 2651 H10
- 2652 H11
- 2653 I10
- 2654 I10
- 2655 I12
- 2656 H6
- 2660 D2
- 2661 D2
- 2662 E2
- 2663 F2
- 2664 C5
- 2665 C6
- 2666 E4
- 2667 E4
- 2669 B6
- 2670 B7
- 2671 B7
- 2672 C5
- 2674 G4
- 2675 G6
- 2676 G7
- 2677 G7
- 2678 H5
- 2679 H4
- 2680 G6
- 2681 I2
- 2682 C2
- 2683 I7
- 2684 I3
- 2685 B7
- 2686 C7
- 2687 A7
- 2688 A10
- 2689 B2
- 2690 B4
- 2691 B11
- 2692 C11
- 2693 D11
- 2694 F11
- 2695 G11
- 2696 H11
- 2697 F9
- 2698 E9
- 2699 C8
- 3600 A9
- 3601 B10
- 3602 B10
- 3603 B11
- 3604 B9
- 3605 B11
- 3606 B12
- 3607 B11
- 3608 A7
- 3609 A7
- 3610 C9
- 3611 C10
- 3612 C10
- 3613 C11
- 3614 C9
- 3615 D11
- 3616 D12
- 3617 C11
- 3618 H7
- 3619 F7
- 3620 D9
- 3621 D10
- 3622 D10
- 3623 D10
- 3624 D11
- 3625 E9
- 3626 E10
- 3627 E11
- 3628 E12
- 3629 E11
- 3630 E9
- 3631 E10
- 3632 F10
- 3633 F10
- 3634 F11
- 3635 F9
- 3636 F10
- 3637 F11
- 3638 F12
- 3639 F11
- 3640 G9
- 3641 G10
- 3642 G10
- 3643 G10
- 3644 G11
- 3645 G9
- 3646 G10
- 3647 H11
- 3648 H12
- 3649 G11
- 3650 H9
- 3651 H10
- 3652 I10
- 3653 I10
- 3654 H11
- 3655 I10
- 3656 E2
- 3657 E2
- 3658 D4
- 3659 H4
- 3660 D4
- 3661 D4
- 3662 D4
- 3663 A8
- 3664 A8
- 3665 A8
- 3666 A8
- 3667 A8
- 3668 A11
- 3669 B6
- 3670 B6
- 3671 C6
- 3672 F7
- 3673 G3
- 3674 G3
- 3675 B8
- 3676 B1
- 3677 B2
- 3678 B8
- 3679 B3
- 3680 A8
- 3681 A8
- 3682 A8
- 3683 A11
- 3684 A11
- 3685 A11
- 3686 I6
- 3687 I2
- 3688 H2
- 3689 H8
- 3690 H5
- 3691 G1
- 3692 A4
- 3693 B3
- 3694 C3
- 3695 B3
- 3696 C2
- 3697 C2
- 4601 A4
- 4602 G5
- 4603 C8
- 4604 B5
- 4605 B7
- 4606 B7
- 4607 B7
- 4608 A10
- 4609 B2
- 4610 B2
- 4611 C1
- 4612 C1
- 4613 C1
- 4614 C1
- 4615 C1
- 4616 C1
- 4617 C1
- 4618 C1
- 4619 C1
- 4620 C1
- 4621 C1
- 4622 C1
- 4623 C1
- 4624 C1
- 4625 C1
- 4626 C1
- 4627 C1
- 4628 C1

AVC BOARD - CIRCUIT DIAGRAM (PART 7)

- 1180-C H5 1380-5 G1 2706 G6 2711 D2 2715 C6 2718 C6 2721 E7 2731 D11 2760 G3 2780 E8 2790 G6 3700 G7 3711 A6 3715 F7 3719 B2 3732 D11 3743 E12 3760 G2 3781 E9 4760 F4 5711 B6 5761 G3 7730-C C10 7733 B1
- 1380-3 G1 2701 G7 2709 A2 2713 B4 2716 C5 2719 C6 2722 E3 2732 D12 2761 G2 2781 G12 2791 H6 3701 G8 3713 C3 3716 E7 3730 D9 3733 D11 3750 H7 3761 F4 3782 F11 4761 G2 5712 B6 7730-A A10 7731 C4 7734 A1
- 1380-4 D1 2705 F6 2710 E2 2714 B5 2717 C3 2720 E7 2730 D8 2751 H7 2762 G2 2782 F12 2792 G1 3710 E2 3714 D3 3718 B1 3731 D9 3742 F11 3751 H8 3780 F9 3783 G11 5710 A4 5760 F3 7730-B F10 7732 A2 7735 F7



* Provision in layout only
 DC voltages measured in Digital In mode
 Note : Some values may varies, see respective parts list for correct value.

DIG_IN_CTRL	O/P_SELECTED
HI	Digital In
LOW	Aux In

ELECTRICAL PARTS LIST - AVC BOARD**MISCELLANEOUS**

1130	4822 265 11515	Flex Connector 8P	2136	3198 016 31020	1nF 25V
1180	4822 267 31449	Cinch Socket 6P - Aux in & TV in & Line out	2137	2020 552 94427	100pF 5% 50V
1230	4822 267 10733	Flex Connector 4P	2138	2020 552 94427	100pF 5% 50V
1231	4822 267 10733	Flex Connector 4P	2139	2238 586 59812	100nF +80/-20% 50V
1232	4822 267 51255	Flex Connector 14P	2140	4822 124 40769	4,7uF 20% 100V
1332	4822 267 10953	Flex Connector 7P	2141	2238 586 59812	100nF +80/-20% 50V
1380	2422 026 05341	Cinch Socket 4P - Digital in & Digital out & Center out & Woofer Line out	2143	4822 126 14583	470nF 10% 16V
1400	2422 127 00549	Switch (P-Scan Select) 1P 2POS 12V 8MM5	2150	3198 016 31020	1nF 25V
1421	2422 025 17433	Flex Connector 30P	2151	4822 124 21913	1uF 20% 63V
1422	2422 025 14526	Flex Connector 16P	2152	2238 586 59812	100nF +80/-20% 50V
1423	4822 267 10732	Flex Connector 12P	2153	2020 552 94427	100pF 5% 50V
1424	4822 267 51255	Flex Connector 14P	2154	4822 124 21913	1uF 20% 63V
1430	2422 033 00442	Socket Video out 2P - CVBS & S-Video	2157	3198 016 31020	1nF 25V
1431	2422 025 12352	Socket Video out 21P-Scart out	2158	4822 124 21913	1uF 20% 63V
1434	2422 026 05342	Cinch Socket 3P - GN/BU/RD (YUV out)	2159	3198 016 31020	1nF 25V
1530	4822 265 10981	Flex Connector 15P	2160	5322 126 11583	10nF 10% 50V
1531	4822 267 10738	Flex Connector 13P	2161	3198 016 31020	1nF 25V
1630	2422 025 17433	Flex Connector 30P	2162	5322 126 11579	3,3nF 10% 63V

CAPACITORS

2100	3198 016 31020	1nF 25V	2163	4822 126 14583	470nF 10% 16V
2101	4822 124 21913	1uF 20% 63V	2164	4822 126 14238	2,2nF 50V
2102	2238 586 59812	100nF +80/-20% 50V	2165	4822 126 13879	220nF +80/-20% 16V
2103	2020 552 94427	100pF 5% 50V	2166	2020 552 96327	330nF 10% 16V
2104	4822 124 21913	1uF 20% 63V	2167	2020 552 96684	470nF 10% 25V
2107	3198 016 31020	1nF 25V	2168	3198 016 31020	1nF 25V
2108	4822 124 21913	1uF 20% 63V	2169	2020 552 94427	100pF 5% 50V
2109	3198 016 31020	1nF 25V	2170	2020 552 94427	100pF 5% 50V
2110	5322 126 11583	10nF 10% 50V	2171	2020 552 94427	100pF 5% 50V
2111	3198 016 31020	1nF 25V	2172	2020 552 94427	100pF 5% 50V
2112	5322 126 11579	3,3nF 10% 63V	2173	2020 552 94427	100pF 5% 50V
2113	4822 126 14583	470nF 10% 16V	2174	2020 552 94427	100pF 5% 50V
2114	4822 126 14238	2,2nF 50V	2200	3198 016 31020	1nF 25V
2115	4822 126 13879	220nF +80/-20% 16V	2201	4822 124 81151	22uF 50V
2116	2020 552 96327	330nF 10% 16V	2202	2020 552 94427	100pF 5% 50V
2117	2020 552 96684	470nF 10% 25V	2203	4822 126 13881	470pF 5% 50V
2118	3198 016 31020	1nF 25V	2204	5322 122 33861	120pF 10% 50V
2119	2020 552 94427	100pF 5% 50V	2205	4822 124 40433	47uF 20% 25V
2120	2020 552 94427	100pF 5% 50V	2206	2020 552 94427	100pF 5% 50V
2121	2020 552 94427	100pF 5% 50V	2230	4822 124 40248	10uF 20% 63V
2122	2020 552 94427	100pF 5% 50V	2231	4822 124 81151	22uF 50V
2130	4822 126 14238	2,2nF 50V	2232	2020 552 94427	100pF 5% 50V
2131	4822 124 40196	220uF 20% 16V	2233	4822 124 41584	100uF 20% 10V
2132	4822 124 81151	22uF 50V	2234	4822 124 40433	47uF 20% 25V
2133	4822 126 14494	22nF 10% 25V	2235	4822 126 14494	22nF 10% 25V
2134	4822 124 40433	47uF 20% 25V	2236	4822 124 81044	470uF 20% 6,3V

ELECTRICAL PARTS LIST - AVC BOARD

2301	4822 126 13193	4,7nF 10% 63V	2392	2020 552 94427	100pF 5% 50V
2302	4822 126 14583	470nF 10% 16V	2393	4822 126 14583	470nF 10% 16V
2303	2020 552 94427	100pF 5% 50V	2394	4822 124 40433	47uF 20% 25V
2304	4822 124 21913	1uF 20% 63V	2395	4822 126 14494	22nF 10% 25V
2305	4822 126 13193	4,7nF 10% 63V	2396	4822 124 40433	47uF 20% 25V
2306	4822 126 13881	470pF 5% 50V	2397	4822 124 40433	47uF 20% 25V
2307	4822 126 14494	22nF 10% 25V	2398	4822 126 14494	22nF 10% 25V
2308	2222 867 15339	33pF 5% 50V	2399	4822 124 40433	47uF 20% 25V
2309	4822 124 21913	1uF 20% 63V	2400	4822 122 33761	22pF 5% 50V
2310	2020 552 94427	100pF 5% 50V	2401	4822 126 11785	47pF 5% 50V
2311	2020 552 94427	100pF 5% 50V	2402	2020 552 94427	100pF 5% 50V
2312	2020 552 94427	100pF 5% 50V	2403	2238 586 59812	100nF +80/-20% 50V
2313	2020 552 94427	100pF 5% 50V	2410	4822 122 33761	22pF 5% 50V
2314	4822 126 14508	180pF 5% 50V	2411	4822 126 11785	47pF 5% 50V
2315	4822 122 33753	150pF 5% 50V	2412	2020 552 94427	100pF 5% 50V
2319	4822 124 40248	10uF 20% 63V	2413	2238 586 59812	100nF +80/-20% 50V
2330	4822 126 13956	68pF 5% 63V	2420	4822 122 33761	22pF 5% 50V
2340	3198 016 31020	1nF 25V	2421	4822 126 11785	47pF 5% 50V
2341	3198 016 31020	1nF 25V	2422	2020 552 94427	100pF 5% 50V
2342	4822 126 13879	220nF +80/-20% 16V	2423	2238 586 59812	100nF +80/-20% 50V
2343	4822 126 14583	470nF 10% 16V	2435	4822 122 33761	22pF 5% 50V
2344	4822 126 13879	220nF +80/-20% 16V	2436	4822 122 33761	22pF 5% 50V
2345	4822 124 21913	1uF 20% 63V	2437	4822 126 13883	220pF 5% 50V
2346	2238 586 59812	100nF +80/-20% 50V	2440	4822 124 41584	100uF 20% 10V
2350	2238 586 59812	100nF +80/-20% 50V	2441	2238 586 59812	100nF +80/-20% 50V
2351	4822 126 13193	4,7nF 10% 63V	2443	4822 124 40433	47uF 20% 25V
2352	4822 126 14583	470nF 10% 16V	2444	2238 586 59812	100nF +80/-20% 50V
2353	2020 552 94427	100pF 5% 50V	2445	2238 586 59812	100nF +80/-20% 50V
2354	4822 124 21913	1uF 20% 63V	2446	4822 124 40184	1000uF 20% 10V
2355	2020 552 94427	100pF 5% 50V	2447	4822 126 13883	220pF 5% 50V
2356	4822 126 13881	470pF 5% 50V	2448	2238 586 59812	100nF +80/-20% 50V
2357	4822 124 40746	0,22uF 20% 63V	2449	2238 586 59812	100nF +80/-20% 50V
2358	5322 126 11583	10nF 10% 50V	2450	4822 126 13956	68pF 5% 63V
2359	4822 124 21913	1uF 20% 63V	2451	4822 126 13956	68pF 5% 63V
2360	2020 552 94427	100pF 5% 50V	2452	4822 126 13956	68pF 5% 63V
2361	2020 552 94427	100pF 5% 50V	2453	4822 126 13956	68pF 5% 63V
2362	2020 552 94427	100pF 5% 50V	2454	4822 126 13956	68pF 5% 63V
2363	2020 552 94427	100pF 5% 50V	2456	4822 126 13883	220pF 5% 50V
2364	4822 126 14238	2,2nF 50V	2461	4822 124 40196	220uF 20% 16V
2365	4822 126 14494	22nF 10% 25V	2466	4822 126 13883	220pF 5% 50V
2379	4822 126 14472	1uF 10% 10V	2470	3198 017 42230	22nF 50V
2380	2020 552 96305	4,7uF +80/-20% 10V	2480	4822 124 40196	220uF 20% 16V
2381	2020 552 96305	4,7uF +80/-20% 10V	2481	2238 586 59812	100nF +80/-20% 50V
2382	4822 126 14472	1uF 10% 10V	2482	4822 126 14494	22nF 10% 25V
2384	4822 124 81044	470uF 20% 6,3V	2483	4822 126 13883	220pF 5% 50V
2385	4822 124 81044	470uF 20% 6,3V	2484	4822 126 13883	220pF 5% 50V
2386	2238 586 59812	100nF +80/-20% 50V	2486	3198 017 34730	47nF 16V
2387	2020 552 94427	100pF 5% 50V	2487	2238 586 59812	100nF +80/-20% 50V
2388	2020 552 94427	100pF 5% 50V	2490	3198 017 42230	22nF 50V
2389	4822 126 14583	470nF 10% 16V	2530	2238 586 59812	100nF +80/-20% 50V
2390	2238 586 59812	100nF +80/-20% 50V	2531	4822 124 40433	47uF 20% 25V
2391	2020 552 94427	100pF 5% 50V	2532	2238 586 59812	100nF +80/-20% 50V

ELECTRICAL PARTS LIST - AVC BOARD

RESISTORS

3251	4822 051 30123	12k 5% 0,062W	3361	4822 051 30273	27k 5% 0,062W
3252	4822 051 30682	6k8 5% 0,062W	3362	4822 117 12925	47k 1% 0,063W
3253	4822 051 30273	27k 5% 0,062W	3363	4822 051 30472	4k7 5% 0,062W
3254	4822 051 30479	47R 5% 0,062W	3364	4822 051 30223	22k 5% 0,062W
3255	4822 051 30339	33R 5% 0,062W	3365	4822 051 30102	1k 5% 0,062W
3256	4822 051 30102	1k 5% 0,062W	3367	4822 051 30103	10k 5% 0,062W
3257	4822 051 30102	1k 5% 0,062W	3368	4822 051 30102	1k 5% 0,062W
3258	4822 051 30102	1k 5% 0,062W	3370	4822 051 30102	1k 5% 0,062W
3259	4822 051 30102	1k 5% 0,062W	3383	4822 051 30474	470k 5% 0,062W
3260	4822 051 30102	1k 5% 0,062W	3385	4822 051 30474	470k 5% 0,062W
3290	4822 051 30684	680k 5% 0,062W	3386	4822 051 30474	470k 5% 0,062W
3300	4822 051 30102	1k 5% 0,062W	3387	4822 117 12925	47k 1% 0,063W
3301	4822 051 30102	1k 5% 0,062W	3388	4822 051 30474	470k 5% 0,062W
3302	4822 051 30102	1k 5% 0,062W	3389	4822 117 12925	47k 1% 0,063W
3303	4822 051 30222	2k2 5% 0,062W	3390	4822 051 30101	100R 5% 0,062W
3304	4822 117 12891	220k 1%	3391	4822 051 30472	4k7 5% 0,062W
3305	4822 051 30102	1k 5% 0,062W	3392	4822 051 30472	4k7 5% 0,062W
3306	4822 051 30683	68k 5% 0,062W	3393	4822 051 30102	1k 5% 0,062W
3307	4822 051 30683	68k 5% 0,062W	3394	4822 051 30102	1k 5% 0,062W
3308	4822 051 30102	1k 5% 0,062W	3395	4822 051 30102	1k 5% 0,062W
3309	4822 117 13632	100k 1% 0,62W	3396	4822 051 30102	1k 5% 0,062W
3310	4822 051 30103	10k 5% 0,062W	3397	4822 051 30102	1k 5% 0,062W
3311	4822 117 12925	47k 1% 0,063W	3401	4822 117 11817	1k2 1% 1/16W
3312	4822 117 12925	47k 1% 0,063W	3402	4822 117 11817	1k2 1% 1/16W
3313	4822 051 30123	12k 5% 0,062W	3403	4822 117 11817	1k2 1% 1/16W
3314	4822 051 30223	22k 5% 0,062W	3404	4822 117 11817	1k2 1% 1/16W
3315	4822 051 30102	1k 5% 0,062W	3405	4822 117 11817	1k2 1% 1/16W
3316	4822 051 30102	1k 5% 0,062W	3406	4822 051 30759	75R 5% 0,062W
3317	4822 051 30102	1k 5% 0,062W	3411	4822 117 11817	1k2 1% 1/16W
3318	4822 051 30102	1k 5% 0,062W	3412	4822 117 11817	1k2 1% 1/16W
3319	4822 051 30472	4k7 5% 0,062W	3413	4822 117 11817	1k2 1% 1/16W
3320	4822 117 12925	47k 1% 0,063W	3414	4822 117 11817	1k2 1% 1/16W
3321	4822 051 30102	1k 5% 0,062W	3415	4822 117 11817	1k2 1% 1/16W
3322	4822 051 30102	1k 5% 0,062W	3416	4822 051 30759	75R 5% 0,062W
3342	4822 051 30472	4k7 5% 0,062W	3421	4822 117 11817	1k2 1% 1/16W
3343	4822 051 30472	4k7 5% 0,062W	3422	4822 117 11817	1k2 1% 1/16W
3344	4822 051 30472	4k7 5% 0,062W	3423	4822 117 11817	1k2 1% 1/16W
3345	4822 051 30472	4k7 5% 0,062W	3424	4822 117 11817	1k2 1% 1/16W
3346	4822 117 13632	100k 1% 0,62W	3425	4822 117 11817	1k2 1% 1/16W
3347	4822 051 30103	10k 5% 0,062W	3426	4822 051 30759	75R 5% 0,062W
3348	4822 117 13632	100k 1% 0,62W	3430	4822 051 30103	10k 5% 0,062W
3350	4822 051 30102	1k 5% 0,062W	3431	4822 051 30183	18k 5% 0,062W
3351	4822 051 30102	1k 5% 0,062W	3440	4822 051 30101	100R 5% 0,062W
3352	4822 051 30102	1k 5% 0,062W	3442	4822 051 30222	2k2 5% 0,062W
3353	4822 051 30222	2k2 5% 0,062W	3443	4822 051 30759	75R 5% 0,062W
3354	4822 117 12891	220k 1%	3450	4822 051 30101	100R 5% 0,062W
3355	4822 051 30102	1k 5% 0,062W	3451	4822 051 30222	2k2 5% 0,062W
3356	4822 051 30683	68k 5% 0,062W	3452	4822 051 30759	75R 5% 0,062W
3357	4822 051 30683	68k 5% 0,062W	3470	4822 051 30339	33R 5% 0,062W
3358	4822 051 30102	1k 5% 0,062W	3471	4822 051 30479	47R 5% 0,062W
3359	4822 051 30333	33k 5% 0,062W	3472	4822 052 10478	△ 4R7 5% 0,33W
3360	4822 051 30103	10k 5% 0,062W	3480	4822 052 10478	△ 4R7 5% 0,33W

ELECTRICAL PARTS LIST - AVC BOARD

3481	4822 051 30471	470R 5% 0,062W	3541	4822 051 30471	470R 5% 0,062W
3482	4822 051 30471	470R 5% 0,062W	3542	4822 051 30471	470R 5% 0,062W
3490	4822 051 30102	1k 5% 0,062W	3543	4822 051 30471	470R 5% 0,062W
3491	4822 051 30221	220R 5% 0,062W	3544	4822 051 30471	470R 5% 0,062W
3492	4822 051 30103	10k 5% 0,062W	3545	4822 051 30471	470R 5% 0,062W
3493	4822 051 30183	18k 5% 0,062W	3546	4822 051 30471	470R 5% 0,062W
3494	4822 051 30103	10k 5% 0,062W	3547	4822 051 30471	470R 5% 0,062W
3495	4822 051 30102	1k 5% 0,062W	3548	4822 051 30472	4k7 5% 0,062W
3496	4822 051 30103	10k 5% 0,062W	3549	4822 051 30105	1M 5% 0,062W
3497	4822 051 30183	18k 5% 0,062W	3550	4822 051 30103	10k 5% 0,062W
3498	4822 051 30103	10k 5% 0,062W	3551	4822 051 30103	10k 5% 0,062W
3500	4822 051 30471	470R 5% 0,062W	3552	4822 051 30103	10k 5% 0,062W
3501	4822 051 30103	10k 5% 0,062W	3553	4822 051 30103	10k 5% 0,062W
3502	4822 051 30471	470R 5% 0,062W	3554	4822 051 30222	2k2 5% 0,062W
3503	4822 051 30471	470R 5% 0,062W	3555	4822 117 12891	220k 1%
3504	4822 051 30471	470R 5% 0,062W	3556	4822 051 30103	10k 5% 0,062W
3505	4822 051 30471	470R 5% 0,062W	3560	4822 051 30102	1k 5% 0,062W
3506	4822 051 30471	470R 5% 0,062W	3561	4822 117 13632	100k 1% 0,62W
3507	4822 051 30471	470R 5% 0,062W	3562	4822 117 13632	100k 1% 0,62W
3508	4822 051 30471	470R 5% 0,062W	3563	4822 051 30103	10k 5% 0,062W
3509	4822 051 30471	470R 5% 0,062W	3564	4822 051 30103	10k 5% 0,062W
3510	4822 051 30471	470R 5% 0,062W	3565	4822 051 30102	1k 5% 0,062W
3511	4822 051 30471	470R 5% 0,062W	3566	4822 051 30102	1k 5% 0,062W
3512	4822 051 30471	470R 5% 0,062W	3567	4822 051 30272	2k7 5% 0,062W
3513	4822 051 30471	470R 5% 0,062W	3568	4822 051 30392	3k9 5% 0,063W /22S
3514	4822 051 30471	470R 5% 0,062W	3568	4822 051 30123	12k 5% 0,062W /21R
3515	4822 051 30471	470R 5% 0,062W	3570	4822 051 30272	2k7 5% 0,062W
3516	4822 051 30471	470R 5% 0,062W	3571	4822 051 30272	2k7 5% 0,062W
3517	4822 051 30471	470R 5% 0,062W	3572	4822 051 30681	680R 5% 0,062W
3518	4822 051 30471	470R 5% 0,062W	3573	4822 051 30681	680R 5% 0,062W
3519	4822 051 30471	470R 5% 0,062W	3574	4822 051 30103	10k 5% 0,062W
3520	4822 051 30471	470R 5% 0,062W	3575	4822 051 30103	10k 5% 0,062W
3521	4822 051 30471	470R 5% 0,062W	3577	4822 051 30471	470R 5% 0,062W
3522	4822 051 30471	470R 5% 0,062W	3579	4822 051 30103	10k 5% 0,062W
3523	4822 051 30471	470R 5% 0,062W	3580	4822 051 30471	470R 5% 0,062W
3524	4822 051 30471	470R 5% 0,062W	3581	4822 051 30471	470R 5% 0,062W
3525	4822 051 30471	470R 5% 0,062W	3582	4822 051 30103	10k 5% 0,062W
3526	4822 051 30471	470R 5% 0,062W	3583	4822 051 30103	10k 5% 0,062W
3527	4822 051 30471	470R 5% 0,062W	3584	4822 051 30391	390R 5% 0,062W
3528	4822 051 30471	470R 5% 0,062W	3585	4822 051 30391	390R 5% 0,062W
3529	4822 051 30479	47R 5% 0,062W	3586	4822 051 30471	470R 5% 0,062W
3530	4822 051 30479	47R 5% 0,062W	3587	4822 051 30102	1k 5% 0,062W
3531	4822 051 30471	470R 5% 0,062W	3588	4822 051 30102	1k 5% 0,062W
3532	4822 051 30471	470R 5% 0,062W	3589	4822 051 30103	10k 5% 0,062W
3533	4822 051 30471	470R 5% 0,062W	3590	4822 051 30103	10k 5% 0,062W
3534	4822 051 30471	470R 5% 0,062W	3596	4822 051 30471	470R 5% 0,062W
3535	4822 051 30471	470R 5% 0,062W	3599	4822 051 30471	470R 5% 0,062W
3536	4822 051 30471	470R 5% 0,062W	3600	4822 051 30103	10k 5% 0,062W
3537	4822 051 30471	470R 5% 0,062W	3601	4822 051 30123	12k 5% 0,062W
3538	4822 051 30471	470R 5% 0,062W	3602	4822 117 12903	1k8 1% 0,063W
3539	4822 051 30471	470R 5% 0,062W	3603	4822 051 30123	12k 5% 0,062W
3540	4822 051 30471	470R 5% 0,062W	3604	4822 051 30103	10k 5% 0,062W

ELECTRICAL PARTS LIST - AVC BOARD**RESISTORS**

3605	4822 051 30123	12k 5% 0,062W	3658	4822 051 30123	12k 5% 0,062W
3606	4822 117 12903	1k8 1% 0,063W	3659	4822 051 30153	15k 5% 0,062W
3607	4822 051 30123	12k 5% 0,062W	3660	4822 051 30101	100R 5% 0,062W
3608	4822 052 10478	△ 4R7 5% 0,33W	3661	4822 051 30101	100R 5% 0,062W
3609	4822 052 10478	△ 4R7 5% 0,33W	3662	4822 051 30101	100R 5% 0,062W
3610	4822 051 30103	10k 5% 0,062W	3663	4822 051 30101	100R 5% 0,062W
3611	4822 051 30123	12k 5% 0,062W	3664	4822 051 30101	100R 5% 0,062W
3612	4822 117 12903	1k8 1% 0,063W	3665	4822 051 30101	100R 5% 0,062W
3613	4822 051 30123	12k 5% 0,062W	3666	4822 051 30101	100R 5% 0,062W
3614	4822 051 30103	10k 5% 0,062W	3667	4822 051 30101	100R 5% 0,062W
3615	4822 051 30123	12k 5% 0,062W	3668	4822 051 30101	100R 5% 0,062W
3616	4822 117 12903	1k8 1% 0,063W	3669	4822 051 30103	10k 5% 0,062W
3617	4822 051 30123	12k 5% 0,062W	3670	4822 051 30103	10k 5% 0,062W
3618	4822 051 30103	10k 5% 0,062W	3671	4822 051 30101	100R 5% 0,062W
3620	4822 051 30103	10k 5% 0,062W	3675	4822 051 30109	10R 5% 0,062W
3621	4822 051 30103	10k 5% 0,062W	3677	4822 051 30103	10k 5% 0,062W
3622	4822 051 30123	12k 5% 0,062W	3678	4822 051 30109	10R 5% 0,062W
3623	4822 051 30123	12k 5% 0,062W	3679	4822 051 30101	100R 5% 0,062W
3624	4822 051 30153	15k 5% 0,062W	3680	4822 051 30109	10R 5% 0,062W
3625	4822 051 30103	10k 5% 0,062W	3681	4822 051 30109	10R 5% 0,062W
3626	4822 051 30103	10k 5% 0,062W	3682	4822 051 30109	10R 5% 0,062W
3627	4822 051 30123	12k 5% 0,062W	3683	4822 051 30109	10R 5% 0,062W
3628	4822 051 30123	12k 5% 0,062W	3684	4822 051 30109	10R 5% 0,062W
3629	4822 051 30153	15k 5% 0,062W	3685	4822 051 30109	10R 5% 0,062W
3630	4822 051 30103	10k 5% 0,062W	3686	4822 051 30479	47R 5% 0,062W
3631	4822 051 30103	10k 5% 0,062W	3687	4822 051 30221	220R 5% 0,062W
3632	4822 051 30123	12k 5% 0,062W	3688	4822 051 30105	1M 5% 0,062W
3633	4822 051 30123	12k 5% 0,062W	3689	4822 051 30103	10k 5% 0,062W
3634	4822 051 30153	15k 5% 0,062W	3690	4822 051 30479	47R 5% 0,062W
3635	4822 051 30103	10k 5% 0,062W	3691	4822 051 30479	47R 5% 0,062W
3636	4822 051 30103	10k 5% 0,062W	3692	4822 051 30472	4k7 5% 0,062W
3637	4822 051 30123	12k 5% 0,062W	3693	4822 051 30103	10k 5% 0,062W
3638	4822 051 30123	12k 5% 0,062W	3696	4822 051 30223	22k 5% 0,062W
3639	4822 051 30153	15k 5% 0,062W	3697	4822 051 30103	10k 5% 0,062W
3640	4822 051 30103	10k 5% 0,062W	3700	4822 051 30272	2k7 5% 0,062W
3641	4822 051 30103	10k 5% 0,062W	3701	4822 117 13632	100k 1% 0,62W
3642	4822 051 30123	12k 5% 0,062W	3710	4822 051 30759	75R 5% 0,062W
3643	4822 051 30123	12k 5% 0,062W	3711	4822 052 10228	△ 2R2 5% 0,33W
3644	4822 051 30153	15k 5% 0,062W	3713	4822 051 30109	10R 5% 0,062W
3645	4822 051 30103	10k 5% 0,062W	3714	4822 051 30109	10R 5% 0,062W
3646	4822 051 30103	10k 5% 0,062W	3715	4822 117 12925	47k 1% 0,063W
3647	4822 051 30123	12k 5% 0,062W	3716	4822 051 30103	10k 5% 0,062W
3648	4822 051 30123	12k 5% 0,062W	3718	4822 051 30472	4k7 5% 0,062W
3649	4822 051 30153	15k 5% 0,062W	3719	4822 117 12925	47k 1% 0,063W
3650	4822 051 30103	10k 5% 0,062W	3730	4822 117 13632	100k 1% 0,62W
3651	4822 051 30103	10k 5% 0,062W	3731	4822 051 30101	100R 5% 0,062W
3652	4822 051 30273	27k 5% 0,062W	3732	4822 051 30222	2k2 5% 0,062W
3653	4822 051 30123	12k 5% 0,062W	3733	4822 051 30183	18k 5% 0,062W
3654	4822 051 30153	15k 5% 0,062W	3742	4822 051 30103	10k 5% 0,062W
3655	4822 051 30103	10k 5% 0,062W	3750	4822 051 30272	2k7 5% 0,062W
3656	4822 051 30103	10k 5% 0,062W	3751	4822 117 13632	100k 1% 0,62W
3657	4822 051 30273	27k 5% 0,062W	3760	4822 051 30479	47R 5% 0,062W

ELECTRICAL PARTS LIST - AVC BOARD

3780	4822 117 13632	100k 1% 0,62W
3781	4822 051 30101	100R 5% 0,062W
3782	4822 051 30222	2k2 5% 0,062W
3783	4822 051 30183	18k 5% 0,062W
4102	4822 051 30008	0R Jumper 0603
4103	4822 051 30008	0R Jumper 0603
4200	4822 051 30008	0R Jumper 0603
4483	4822 051 30008	0R Jumper 0603
4485	4822 051 30008	0R Jumper 0603
4500	4822 051 30008	0R Jumper 0603
4501	4822 051 30008	0R Jumper 0603
4603	4822 051 30008	0R Jumper 0603
4604	4822 051 30008	0R Jumper 0603

COILS & FILTERS

5230	4822 157 62552	Coil 2,2uH 5%
5400	4822 157 10977	Coil 4,7uH 10%
5401	3198 018 31580	Coil 1,5uH 10%
5410	4822 157 10977	Coil 4,7uH 10%
5411	3198 018 31580	Coil 1,5uH 10%
5420	4822 157 10977	Coil 4,7uH 10%
5421	3198 018 31580	Coil 1,5uH 10%
5430	4822 157 71206	FXD IND 0805 100MHz 600R
5431	4822 157 71206	FXD IND 0805 100MHz 600R
5445	4822 526 10704	FXD IND BEAD 100MHz 50R
5482	4822 157 10586	Coil 2,2uH 10%
5530	5322 242 73686	RES CER 12MHz
5531	2422 543 01069	RES XTL 32,768kHz
5532	4822 242 11033	RES XTL 4,332MHz
5533	4822 157 62552	Coil 2,2uH 5%
5581	4822 157 62552	Coil 2,2uH 5%
5582	4822 157 62552	Coil 2,2uH 5%
5600	3198 018 63390	FXD IND SM 1008 33U PM5
5601	3198 018 63390	FXD IND SM 1008 33U PM5
5630	2422 543 01146	RES XTL 16,9344MHz
5640	4822 157 71206	FXD IND 0805 100MHz 600R
5641	4822 157 71206	FXD IND 0805 100MHz 600R
5710	4822 157 10532	Coil 100uH 5%
5711	4822 157 10532	Coil 100uH 5%
5712	4822 157 10532	Coil 100uH 5%
5760	4822 157 10977	Coil 4,7uH 10%
5761	4822 157 70601	IND VAR 7MM 7CHA 100U

DIODES

6131	4822 130 61219	BZX79-B10
6230	4822 130 11397	BAS316
6231	4822 130 11397	BAS316
6232	4822 130 11397	BAS316
6531	4822 130 30621	1N4148
6532	4822 130 31878	1N4003G
6533	4822 130 11397	BAS316
6535	4822 130 31878	1N4003G

6536	4822 130 31878	1N4003G
------	----------------	---------

TRANSISTORS & INTEGRATED CIRCUITS

7100	5322 130 60159	BC847B
7130	9322 150 74668	IC SM TDA7468D
7131	4822 130 40959	BC547B
7132	4822 130 60373	BC857B
7133	3198 010 42310	BC847BW
7150	5322 130 60159	BC847B
7200	4822 130 42804	BC817-25
7201	4822 130 42804	BC817-25
7202	4822 130 42804	BC817-25
7230	4822 209 31378	NJM4556AM
7231	4822 130 60373	BC857B
7232	5322 130 60159	BC847B
7233	5322 130 60159	BC847B
7234	4822 130 60373	BC857B
7235	5322 130 60159	BC847B
7236	5322 130 60159	BC847B
7237	3198 010 42310	BC847BW
7250	4822 130 42804	BC817-25
7251	4822 130 42804	BC817-25
7252	4822 130 42804	BC817-25
7300	5322 130 60159	BC847B
7301	5322 130 60159	BC847B
7330	9322 150 74668	IC SM TDA7468D
7331	9322 150 74668	IC SM TDA7468D
7333	4822 130 60373	BC857B
7334	4822 130 60373	BC857B
7335	3198 010 42310	BC847BW
7336	4822 209 31378	NJM4556AM
7337	3198 010 42310	BC847BW
7339	5322 130 60159	BC847B
7350	5322 130 60159	BC847B
7351	5322 130 60159	BC847B
7400	9322 167 49685	IC SM AD8061ART
7410	9322 167 49685	IC SM AD8061ART
7420	9322 167 49685	IC SM AD8061ART
7421	5322 130 60159	BC847B
7422	5322 130 60159	BC847B
7423	3198 010 42310	BC847BW
7424	3198 010 42310	BC847BW
7440	4822 209 17398	IC SM LD1117DT33
7442	9322 160 50668	IC SM LD1117DT25
7531	9352 686 05118	IC SM SAA6581T
7532	9322 145 26668	M24C02-WMN6
7533	5322 130 60159	BC847B
7534	3198 010 42310	BC847BW
7535	3198 010 42320	BC857BW
7536	3139 110 53241	TMP88CU74YF -
7537	3198 010 42320	'LX7000S53241'
		BC857BW

ELECTRICAL PARTS LIST - AVC BOARD

TRANSISTORS & INTEGRATED CIRCUITS

7538	3198 010 42310	BC847BW
7539	3198 010 42310	BC847BW
7610	3198 010 42310	BC847BW
7612	5322 130 44593	BC369
7613	3198 010 42310	BC847BW
7630	9322 181 11668	IC SM MC74VHC04DT
7631	9352 499 60118	IC SM 74LVC00AD
7632	9322 177 92671	IC SM CS4362-KQ
7634	4822 209 30095	LM833D
7635	4822 209 30095	LM833D
7636	4822 209 30095	LM833D
7660	3198 010 42310	BC847BW
7661	3198 010 42310	BC847BW
7730	5322 209 14481	HEF4053BT
7731	9352 655 87118	IC SM UDA1351TS/N1
7732	4822 209 17398	LD1117DT33
7733	3198 010 42310	BC847BW
7734	5322 130 44593	BC369
7735	3198 010 42310	BC847BW

Note : Only the parts mentioned in this list are normal service spare parts.

P-SCAN BOARD

TABLE OF CONTENTS

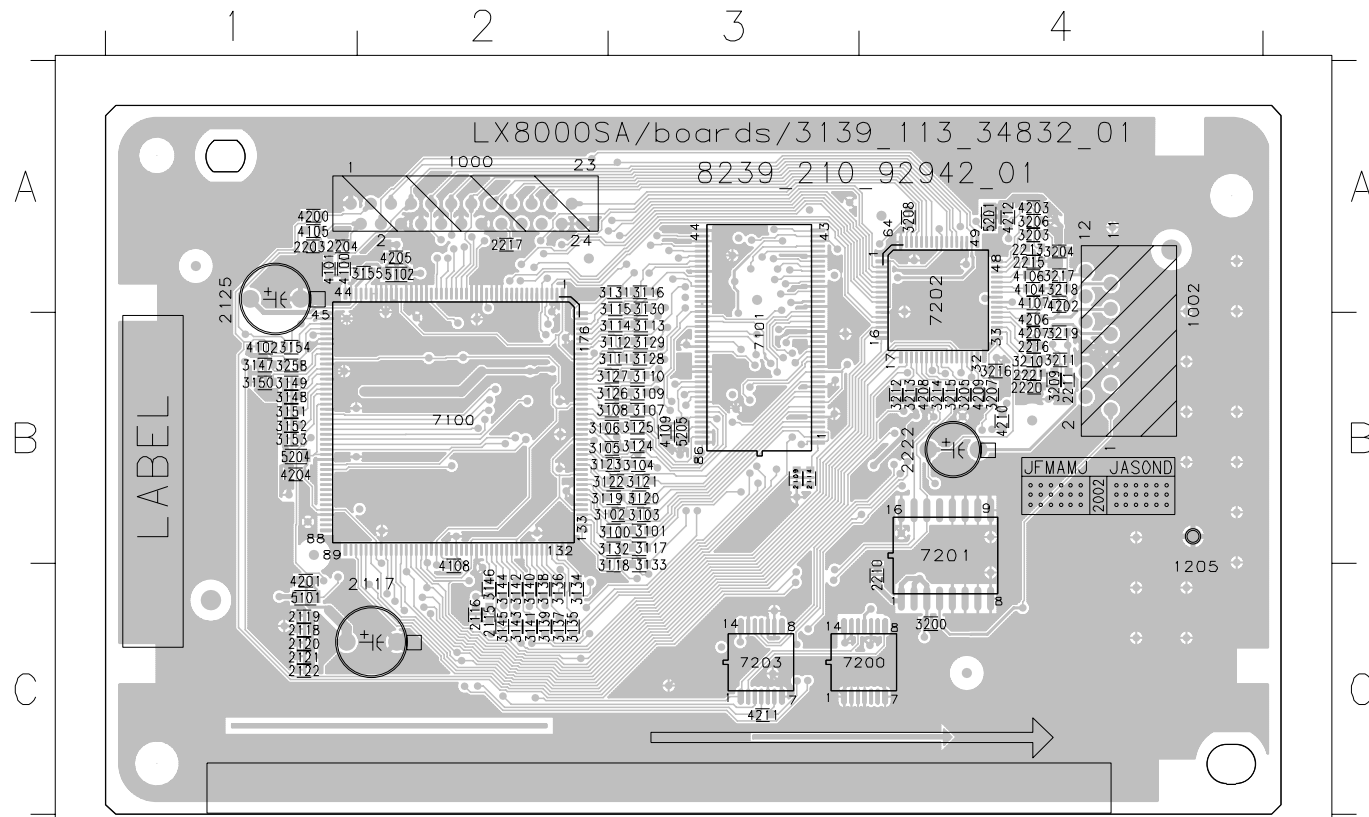
Top & Bottom view layout	11-2
Circuit diagram (Part 1)	11-3
Circuit diagram (Part 2)	11-4
Electrical parts list.....	11-5

P-SCAN BOARD - TOP VIEW LAYOUT

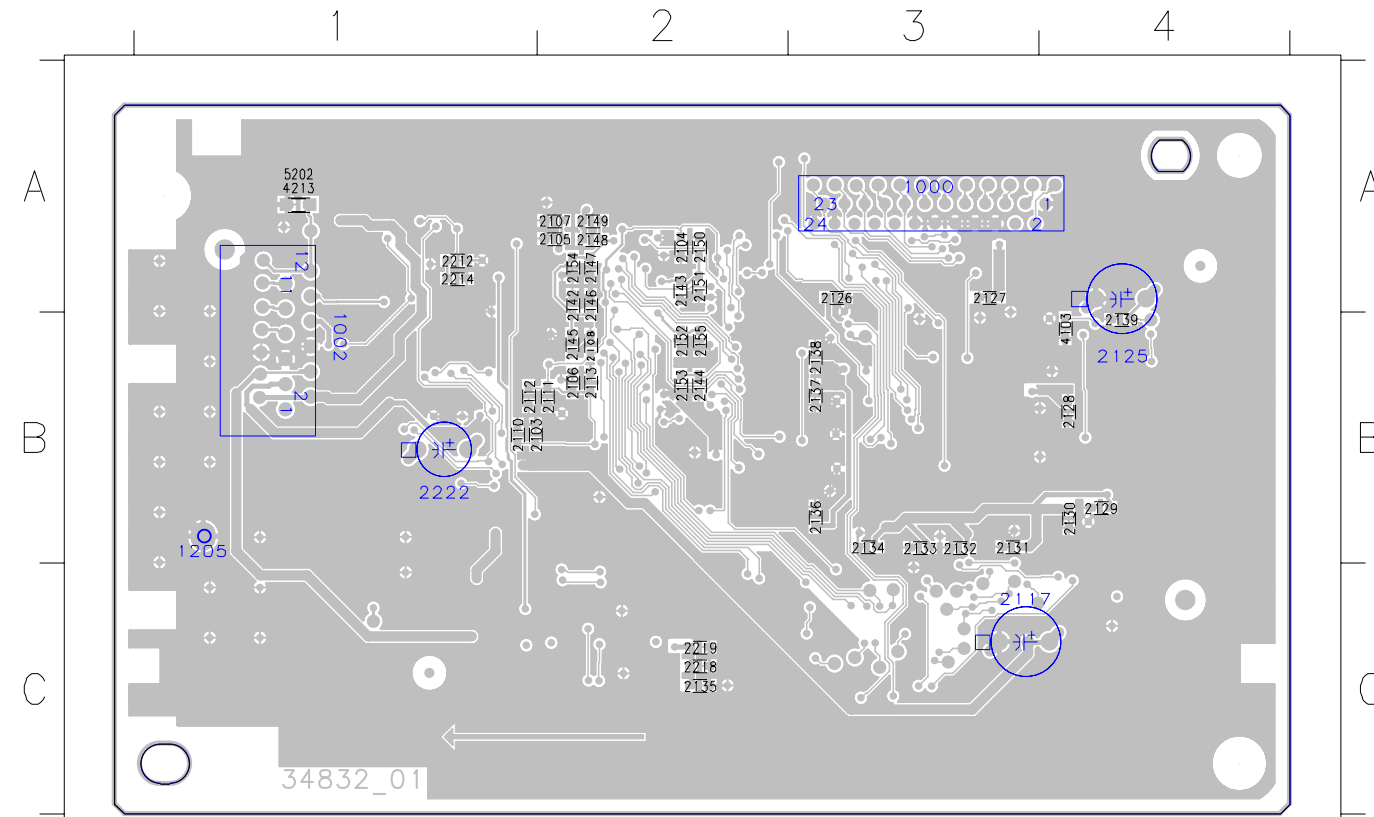
1000 A2	2204 A1	3105 B2	3120 B3	3135 C2	3150 B1	3211 B4	4106 A4	4211 C3
1002 A4	2210 C4	3106 B2	3121 B3	3136 C2	3151 B1	3212 B4	4107 A4	4212 A4
1205 C4	2211 B4	3107 B3	3122 B2	3137 C2	3152 B1	3213 B4	4108 C2	5101 C1
2109 B3	2213 A4	3108 B3	3123 B2	3138 C2	3153 B1	3214 B4	4109 B3	5102 A2
2114 B3	2215 A4	3109 B3	3124 B3	3139 C2	3154 B1	3215 B4	4200 A1	5201 A4
2115 C2	2216 B4	3110 B3	3125 B3	3140 C2	3155 A2	3216 B4	4201 C1	5204 B1
2116 C2	2217 A2	3111 B3	3126 B3	3141 C2	3200 C4	3217 A4	4202 A4	5205 B3
2117 C2	2220 B4	3112 B3	3127 B3	3142 C2	3203 A4	3218 A4	4203 A4	7100 C2
2118 C1	2221 B4	3113 B3	3128 B3	3143 C2	3204 A4	3219 B4	4204 B1	7101 B3
2119 C1	2222 B4	3114 B3	3129 B3	3144 C2	3205 B4	3258 B1	4205 A2	7200 C3
2120 C1	3100 B3	3115 A3	3130 A3	3145 C2	3206 A4	4100 A1	4206 B4	7201 B4
2121 C1	3101 B3	3116 A3	3131 A3	3146 C2	3207 B4	4101 A1	4207 B4	7202 A4
2122 C1	3102 B3	3117 B3	3132 B3	3147 B1	3208 A4	4102 B1	4208 B4	7203 C3
2125 A1	3103 B3	3118 C3	3133 C3	3148 B1	3209 B4	4104 A4	4209 B4	
2203 A1	3104 B3	3119 B2	3134 C2	3149 B1	3210 B4	4105 A1	4210 B4	

P-SCAN BOARD - BOTTOM VIEW LAYOUT

1000 A3	2106 B2	2113 B2	2129 B4	2135 C2	2143 A2	2149 A2	2155 B2	4103 B4
1002 B1	2107 A2	2117 C3	2130 B4	2136 B3	2144 B2	2150 A2	2212 A1	4213 A1
1205 B1	2108 B2	2125 B4	2131 B3	2137 B3	2145 B2	2151 A2	2214 A1	5202 A1
2103 B1	2110 B1	2126 A3	2132 B3	2138 B3	2146 A2	2152 B2	2218 C2	
2104 A2	2111 B2	2127 A3	2133 B3	2139 B4	2147 A2	2153 B2	2219 C2	
2105 A2	2112 B1	2128 B4	2134 B3	2142 A2	2148 A2	2154 A2	2222 B1	



This assembly drawing shows a summary of all possible versions. For components used in a specific version see schematic diagram and respective parts list. 3139 113 3483 pt2 dd wk0232



This assembly drawing shows a summary of all possible versions. For components used in a specific version see schematic diagram and respective parts list. 3139 113 3483 pt2 dd wk0232

ELECTRICAL PARTS LIST - P-SCAN BOARD**MISCELLANEOUS**

1000	2422 025 17716	Flex Connector 24P
1002	4822 267 51453	Flex Connector 12P

CAPACITORS

2103	4822 126 13879	220nF +80/-20% 16V
2104	4822 126 13879	220nF +80/-20% 16V
2105	4822 126 13879	220nF +80/-20% 16V
2106	4822 126 13879	220nF +80/-20% 16V
2107	4822 126 13879	220nF +80/-20% 16V
2108	4822 126 13879	220nF +80/-20% 16V
2109	4822 126 13879	220nF +80/-20% 16V
2110	4822 126 13879	220nF +80/-20% 16V
2111	4822 126 13879	220nF +80/-20% 16V
2112	4822 126 13879	220nF +80/-20% 16V
2113	4822 126 13879	220nF +80/-20% 16V
2114	4822 126 13879	220nF +80/-20% 16V
2115	4822 122 33741	10pF 10% 50V
2116	4822 122 33741	10pF 10% 50V
2117	4822 124 81286	47uF 20% 16V
2118	4822 126 13879	220nF +80/-20% 16V
2119	4822 126 13879	220nF +80/-20% 16V
2120	4822 126 13879	220nF +80/-20% 16V
2121	4822 126 13879	220nF +80/-20% 16V
2122	4822 126 13879	220nF +80/-20% 16V
2125	4822 124 81286	47uF 20% 16V
2126	2238 586 59812	100nF +80/-20% 50V
2127	2238 586 59812	100nF +80/-20% 50V
2128	2238 586 59812	100nF +80/-20% 50V
2129	2238 586 59812	100nF +80/-20% 50V
2130	2238 586 59812	100nF +80/-20% 50V
2131	2238 586 59812	100nF +80/-20% 50V
2132	2238 586 59812	100nF +80/-20% 50V
2133	2238 586 59812	100nF +80/-20% 50V
2134	2238 586 59812	100nF +80/-20% 50V
2135	2238 586 59812	100nF +80/-20% 50V
2136	2238 586 59812	100nF +80/-20% 50V
2137	2238 586 59812	100nF +80/-20% 50V
2138	2238 586 59812	100nF +80/-20% 50V
2139	2238 586 59812	100nF +80/-20% 50V
2210	2238 586 59812	100nF +80/-20% 50V
2211	2238 586 59812	100nF +80/-20% 50V
2212	2238 586 59812	100nF +80/-20% 50V
2213	2238 586 59812	100nF +80/-20% 50V
2214	2238 586 59812	100nF +80/-20% 50V
2215	2238 586 59812	100nF +80/-20% 50V
2216	2238 586 59812	100nF +80/-20% 50V
2217	2238 586 59812	100nF +80/-20% 50V
2218	2238 586 59812	100nF +80/-20% 50V
2219	2238 586 59812	100nF +80/-20% 50V
2220	3198 016 38210	820pF 25V
2221	5322 126 11579	3,3nF 10% 63V
2222	4822 124 12032	4,7uF 20% 50V

RESISTORS

3100	4822 117 12139	22R 5% 0,062W
3101	4822 117 12139	22R 5% 0,062W
3102	4822 117 12139	22R 5% 0,062W
3103	4822 117 12139	22R 5% 0,062W
3104	4822 117 12139	22R 5% 0,062W
3105	4822 117 12139	22R 5% 0,062W
3106	4822 117 12139	22R 5% 0,062W
3107	4822 117 12139	22R 5% 0,062W
3108	4822 117 12139	22R 5% 0,062W
3109	4822 117 12139	22R 5% 0,062W
3110	4822 117 12139	22R 5% 0,062W
3111	4822 117 12139	22R 5% 0,062W
3112	4822 117 12139	22R 5% 0,062W
3113	4822 117 12139	22R 5% 0,062W
3114	4822 117 12139	22R 5% 0,062W
3115	4822 117 12139	22R 5% 0,062W
3116	4822 117 12139	22R 5% 0,062W
3117	4822 117 12139	22R 5% 0,062W
3118	4822 117 12139	22R 5% 0,062W
3119	4822 117 12139	22R 5% 0,062W
3120	4822 117 12139	22R 5% 0,062W
3121	4822 117 12139	22R 5% 0,062W
3122	4822 117 12139	22R 5% 0,062W
3123	4822 117 12139	22R 5% 0,062W
3124	4822 117 12139	22R 5% 0,062W
3125	4822 117 12139	22R 5% 0,062W
3126	4822 117 12139	22R 5% 0,062W
3127	4822 117 12139	22R 5% 0,062W
3128	4822 117 12139	22R 5% 0,062W
3129	4822 117 12139	22R 5% 0,062W
3130	4822 117 12139	22R 5% 0,062W
3131	4822 117 12139	22R 5% 0,062W
3132	4822 117 12139	22R 5% 0,062W
3133	4822 117 12139	22R 5% 0,062W
3134	4822 117 12139	22R 5% 0,062W
3135	4822 117 12139	22R 5% 0,062W
3136	4822 117 12139	22R 5% 0,062W
3137	4822 117 12139	22R 5% 0,062W
3138	4822 117 12139	22R 5% 0,062W
3139	4822 117 12139	22R 5% 0,062W
3140	4822 117 12139	22R 5% 0,062W
3141	4822 117 12139	22R 5% 0,062W
3142	4822 117 12139	22R 5% 0,062W
3143	4822 117 12139	22R 5% 0,062W
3144	4822 117 12139	22R 5% 0,062W
3145	4822 117 12139	22R 5% 0,062W
3146	4822 117 12139	22R 5% 0,062W
3147	4822 051 30472	4k7 5% 0,062W
3148	4822 051 30472	4k7 5% 0,062W
3149	4822 051 30472	4k7 5% 0,062W
3150	4822 051 30472	4k7 5% 0,062W
3151	4822 051 30472	4k7 5% 0,062W

ELECTRICAL PARTS LIST - P-SCAN BOARD**RESISTORS**

3152	4822 051 30472	4k7 5% 0,062W
3153	4822 051 30472	4k7 5% 0,062W
3154	4822 051 30101	100R 5% 0,062W
3155	4822 051 30101	100R 5% 0,062W
3200	4822 051 30472	4k7 5% 0,062W
3203	4822 051 30152	1k5 5% 0,062W
3204	4822 117 12139	22R 5% 0,062W
3205	4822 051 30103	10k 5% 0,062W
3206	4822 051 30103	10k 5% 0,062W
3207	4822 051 30101	100R 5% 0,062W
3208	4822 051 30101	100R 5% 0,062W
3209	4822 051 30681	680R 5% 0,062W
3210	4822 051 30152	1k5 5% 0,062W
3211	4822 117 12139	22R 5% 0,062W
3212	4822 051 30472	4k7 5% 0,062W
3214	4822 051 30101	100R 5% 0,062W
3215	4822 051 30101	100R 5% 0,062W
3216	4822 051 30472	4k7 5% 0,062W
3217	4822 117 11817	1k2 1% 1/16W
3218	4822 117 11817	1k2 1% 1/16W
3219	4822 117 11817	1k2 1% 1/16W
3258	4822 051 30101	100R 5% 0,062W
4101	4822 051 30008	0R Jumper 0603
4103	4822 051 30008	0R Jumper 0603
4105	4822 051 30008	0R Jumper 0603
4200	4822 051 30008	0R Jumper 0603
4202	4822 051 30008	0R Jumper 0603
4203	4822 051 30008	0R Jumper 0603
4206	4822 051 30008	0R Jumper 0603
4207	4822 051 30008	0R Jumper 0603
4208	4822 051 30008	0R Jumper 0603
4209	4822 051 30008	0R Jumper 0603
4212	4822 051 30008	0R Jumper 0603
4213	4822 051 30008	0R Jumper 0603

COILS & FILTERS

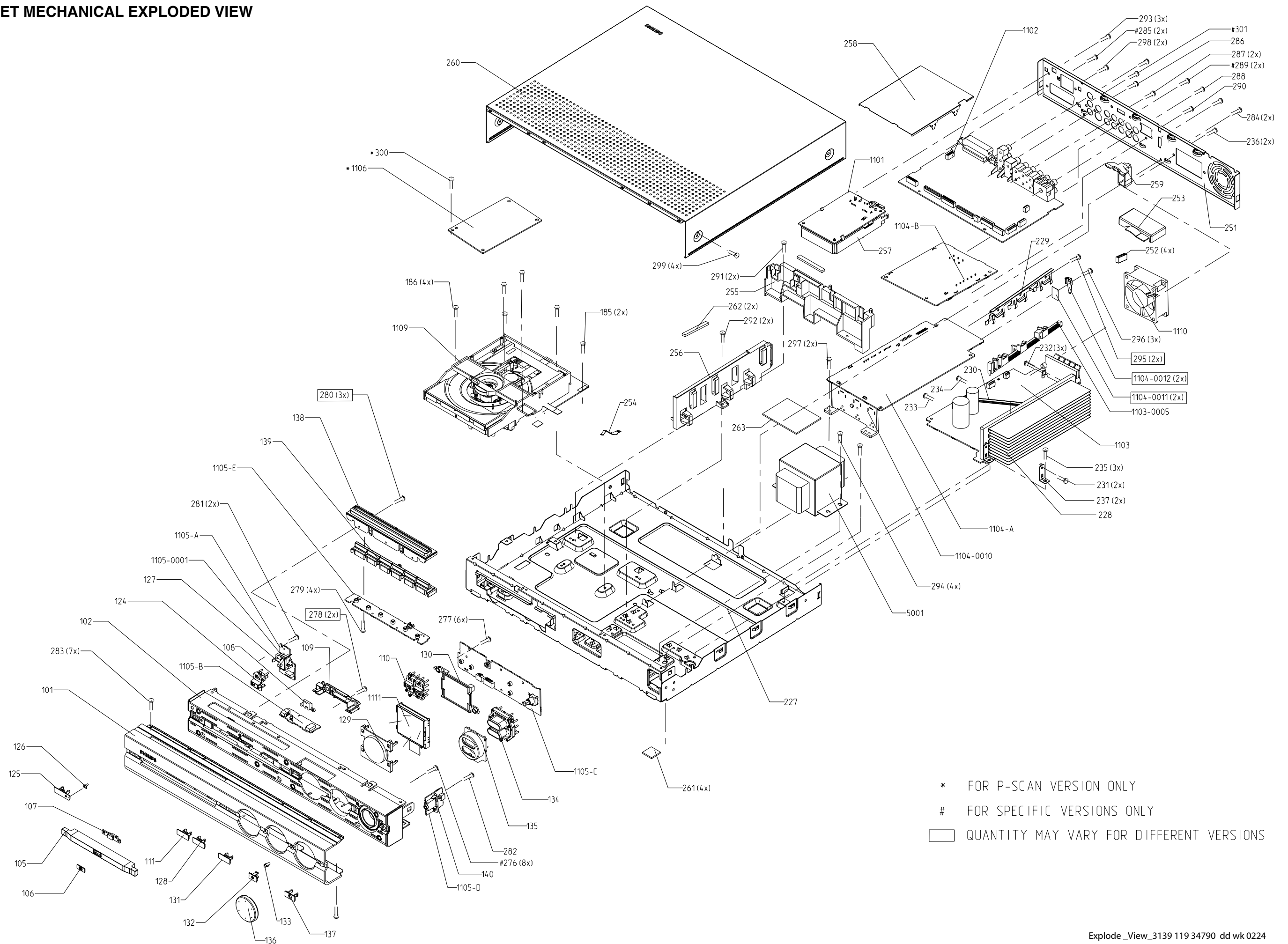
5101	4822 157 71593	Coil 10uH 10%
5102	4822 157 11829	Coil 27uH 20%
5201	4822 157 71593	Coil 10uH 10%
5204	4822 157 71593	Coil 10uH 10%
5205	4822 157 71593	Coil 10uH 10%

TRANSISTORS & INTEGRATED CIRCUITS

7100	9322 169 18671	IC SM FLI2200
7101	9322 166 71668	IC SM MT48LC2M32B2TG-6
7200	9352 092 60118	IC SM 74LVT74DB
7201	5322 209 11578	IC SM PCF8574T
7202	9322 178 70671	IC SM ADV7300ST
7203	9352 092 90118	IC SM 74LVT86DB

Note : Only the parts mentioned in this list are normal service spare parts.

SET MECHANICAL EXPLODED VIEW



* FOR P-SCAN VERSION ONLY
 # FOR SPECIFIC VERSIONS ONLY
 □ QUANTITY MAY VARY FOR DIFFERENT VERSIONS

MECHANICAL & ACCESSORIES PARTS LIST - MAIN UNIT**SCREW LISTS - MAIN UNIT**

0101 *	3139 118 18330	Panel Front	0350 *	3139 118 79730	Box Spk Assy CS7000SA/00S	5001**	3139 118 32530	△ Mains Transformer	185	M3 x 6
0101 +	3139 118 17450	Panel Front	0350	3139 118 79720	Box Spk Assy CS8000SA/17S	5001 ^	3139 118 32540	△ Mains Transformer	186	M3 x 6
0101^^	3139 118 18781	Panel Front	0351	4822 303 50063	FM Aerial	5001@	3139 118 32550	△ Mains Transformer	231	D3 x 8
0102	3139 118 17330	Cabinet Front	0352 *	3139 118 79700	Subwoofer SW7000SA/00S				232	D3 x 12
0105 *	3139 118 17410	Cover Tray DVD	0352 ^	3139 118 79660	Subwoofer SW8000SA/01S				233	D3 x 12
						*		For LX7000SA/22S only		
0105	3139 118 18630	Cover Tray DVD	0352 +	3139 118 79670	Subwoofer SW8000SA/00S	^		For LX8000SA/21R only	234	D3 x 12
0106	3139 118 18340	Cutsheet Logo SACD	0352@	3139 118 79690	Subwoofer SW8000SA/17S	+		For LX8000SA/22S only	235	M3 x 6
0107	3139 114 76300	Lightguide Tray SACD	0353@	4822 263 21206	Cable Cinch 1,7M (CVBS)	@		For LX8000SA/37S only	236	D3 x 10
0110	3139 114 75640	Button Open/Close & Source	0354 #	3139 118 79910	Stands Speakers LX8000SA				276 *	D2 x 8
0111 *	3139 118 17370	Cap Button Open/Close	0356	3139 238 02020	Remote Control	**		For LX7000SA/22S & LX8000SA/22S only	277	D3 x 10
						^^		For LX8000SA/21R/37S only		
0111	3139 118 18580	Cap Button Open/Close	0358@	2422 076 00485	Cord S-Video 1,5M	#		For LX8000SA/21R/22S/37S only	278	D2 x 8
0124	3139 114 75600	Button Power	0359	2422 076 00479	Cable Cinch 1,5M (Center Out)				279	D2 x 8
0125 *	3139 118 17340	Cap Button Power	0360**	3139 111 01661	Scart Cable Assembly				280	D2 x 8
0125	3139 118 18570	Cap Button Power	0360^^	2422 076 00374	Cable Cinch 1,5M GN/BU/RD (YUV)	Note :		Only the parts mentioned in this list are normal service spare parts.	281	D3 x 10
0126	3139 114 75730	Lightguide Standby	0361	3103 308 92610	Cable Audio 2x2 RCA Male 1,5M				282	D3 x 10
0128 *	3139 118 17380	Cap Button Source	0384	2422 549 45067	Antenna AM Loop				283	M3 x 10
0128	3139 118 18590	Cap Button Source	0385	2422 070 98151	△ Mains Cord				284	M3 x 6
0129	3139 114 75740	Window Display	0385@	2422 070 98152	△ Mains Cord				285**	D3 x 10
0130 *	3139 114 75760	Bracket LCD LX7000SA	0386 ^	4822 263 21092	△ Adapter Plug 6A 250V				286	D3 x 10
0130	3139 114 76790	Bracket LCD LX8000SA	0387 ^	3139 115 21630	Instruction For Use				287	D3 x 10
0131 *	3139 118 17420	Cover Orn	0387@	3139 115 21610	Instruction For Use				288	D3 x 10
0131	3139 118 18600	Cover Orn	0387**	3139 115 21600	Instruction For Use				289 ^	D3 x 10
0132 *	3139 118 17430	Cover Orn IR	1110	4822 361 11161	Fan KD1206PTS3				290	D3 x 10
0132	3139 118 18610	Cover Orn IR	1111 *	3139 118 79610	LCD Module LX7000SA				291	M3 x 6
0134	3139 118 17350	Button Sound Control	1111	3139 118 79900	LCD Module LX8000SA				292	M3 x 6
0135	3139 118 17360	Cover Sound Control	1601	3139 110 35490	FFC Foil 05P/140/05P BD				293	D3 x 10
0136	3139 118 17400	Knob Volume Rotary	1602^^	3139 111 01560	FFC Foil 24P/120/24P BD 1mm FD				294	M3 x 6
0137 *	3139 118 17440	Cover Orn Headphone	1603	3139 110 34100	FFC Foil 04P/140/04P BD				295	D3 x 8
0137	3139 118 18620	Cover Orn Headphone	1604	4822 320 12703	FFC Foil 07P/140/07P BD				296	D3 x 8
0138 *	3139 114 75750	Bracket Top Control	1605	3139 111 01530	FFC Foil 14P/120/14P AD Fold				297	M3 x 6
0138	3139 114 76780	Bracket Top Control	1606	3139 110 36071	FFC Foil 30P/100/30P BD 1MMP				298	M3 x 10
0139	3139 118 17390	Button Top Control Chrome	1607^^	3139 111 01510	FFC Foil 16P/260/16P AD Fold				299	D3 x 10
0229	3139 111 01460	Spring Clip IC	1608	3139 110 36071	FFC Foil 30P/100/30P BD 1MMP				300^^	M3 x 6
0253	3139 114 76330	Bracket Fan Top	1609^^	3139 110 34990	FFC Foil 12P/120/12P AD				301^^	D3 x 10
0254	3139 111 01470	Spring Grounding	1610	3139 111 01540	FFC Foil 13P/340/13P AD Fold					
0255	3139 114 75770	Bracket AV PCB	1612	3139 110 34840	FFC Foil 08P/100/08P AD	*		For LX7000SA/22S only		
0256	3139 114 75790	Bracket Shield DVD	1613	3139 111 01550	FFC Foil 4P/480/4P BD Fold	^		For LX8000SA/21R only		
0259	3139 114 75780	Bracket PCB Mains	1615	3139 111 01580	FFC Foil 7P/120/7P AD Fold	**		For LX7000SA/22S & LX8000SA/22S only		
0261	3139 113 27220	Foot Rubber	1616	3139 111 01500	FFC Foil 6P/100/6P AD Fold	^^		For LX8000SA/21R/37S only		
0263	3139 113 27300	Insulation Transformer	1617**	3139 111 01520	FFC Foil 14P/260/14P AD Fold					